



# TEF/SEAL TF

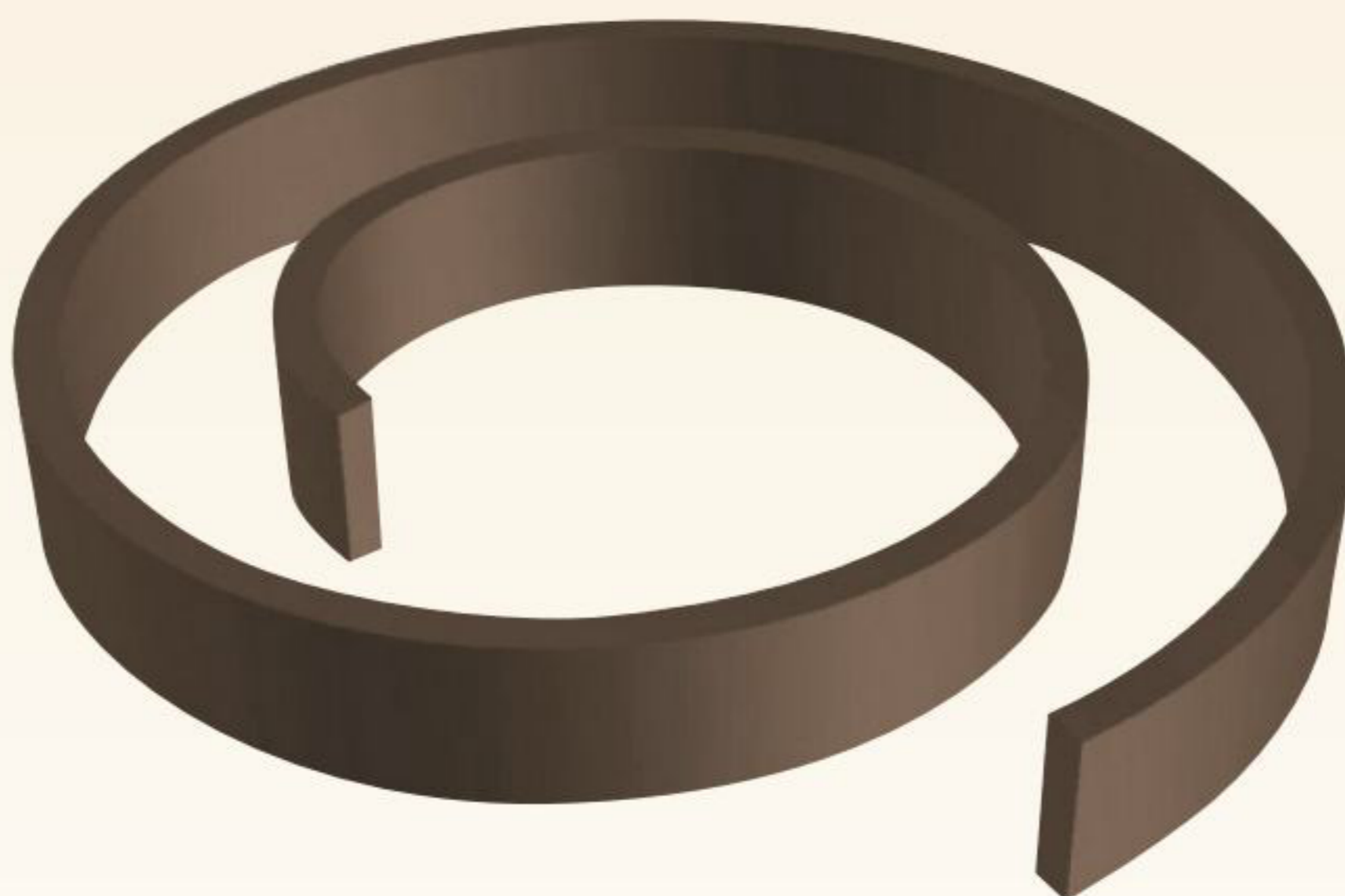
**ANELLI** di guida  
guide **RINGS**

**TEXILAN**

<b>Versione standard</b>	<b>Standard version</b>
PTFE caricato bronzo	Bronze filled PTFE
<b>Carico Radiale STATICO fino a / STATIC Radial Load up to</b>	
25 N/mm <sup>2</sup>	
<b>Carico Radiale DINAMICO fino a / DYNAMIC Radial Load up to</b>	
15 N/mm <sup>2</sup>	
<b>Velocità fino a / Speed up to</b>	
≤5,0 m/s	
<b>Temperatura / Temperature</b>	
-40°C +200°C	
<b>Applicazioni</b>	<b>Applications</b>
Idraulica Mobile Presse Escavatori	Mobile hydraulics Presses Excavators

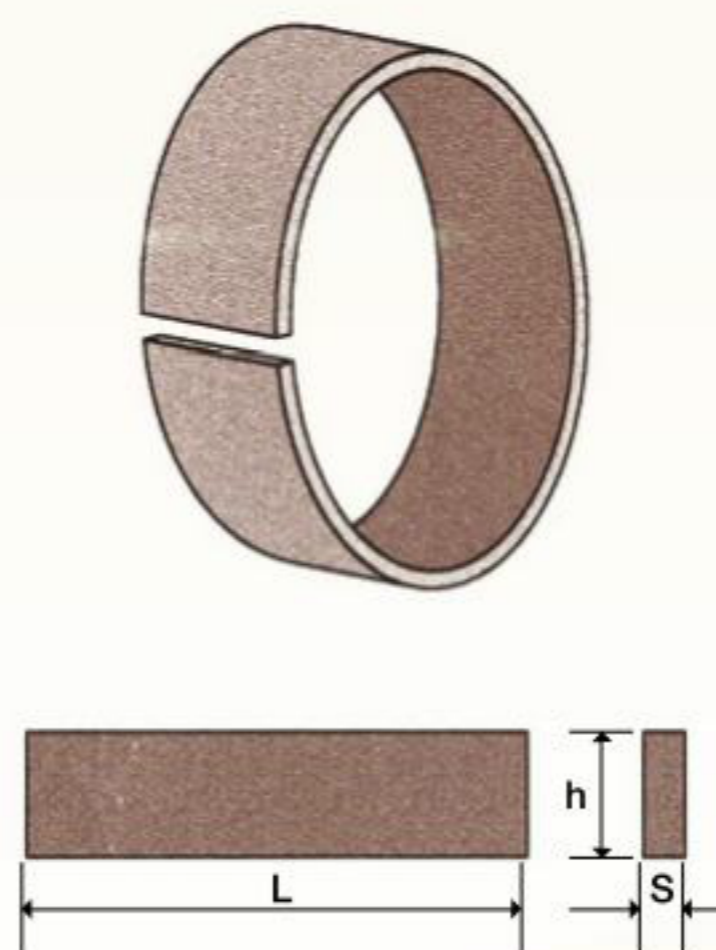
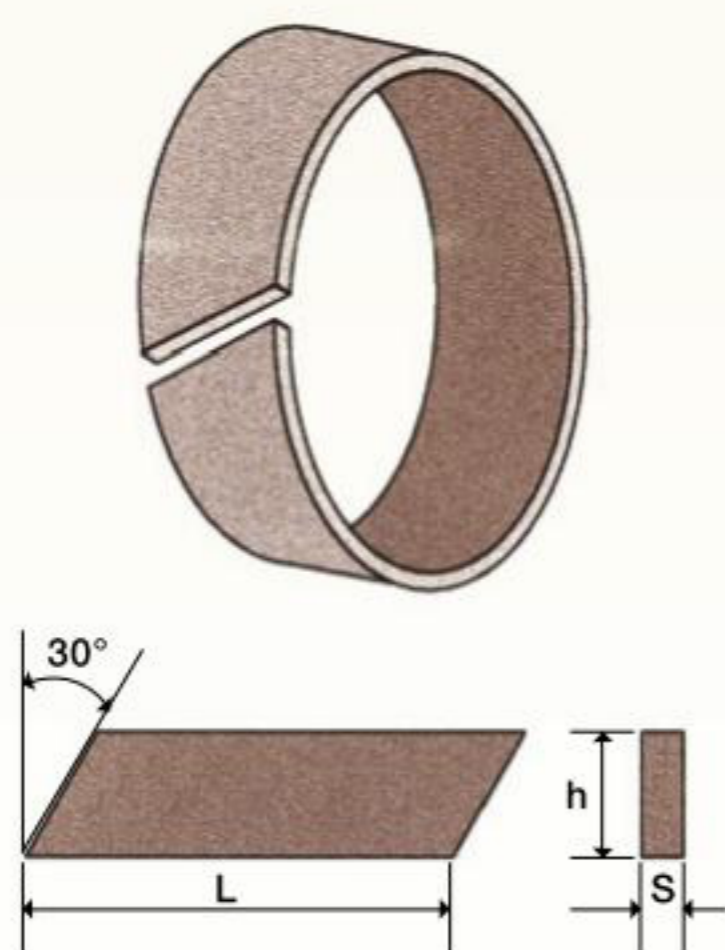
# TEF/SEAL • TF

236÷239

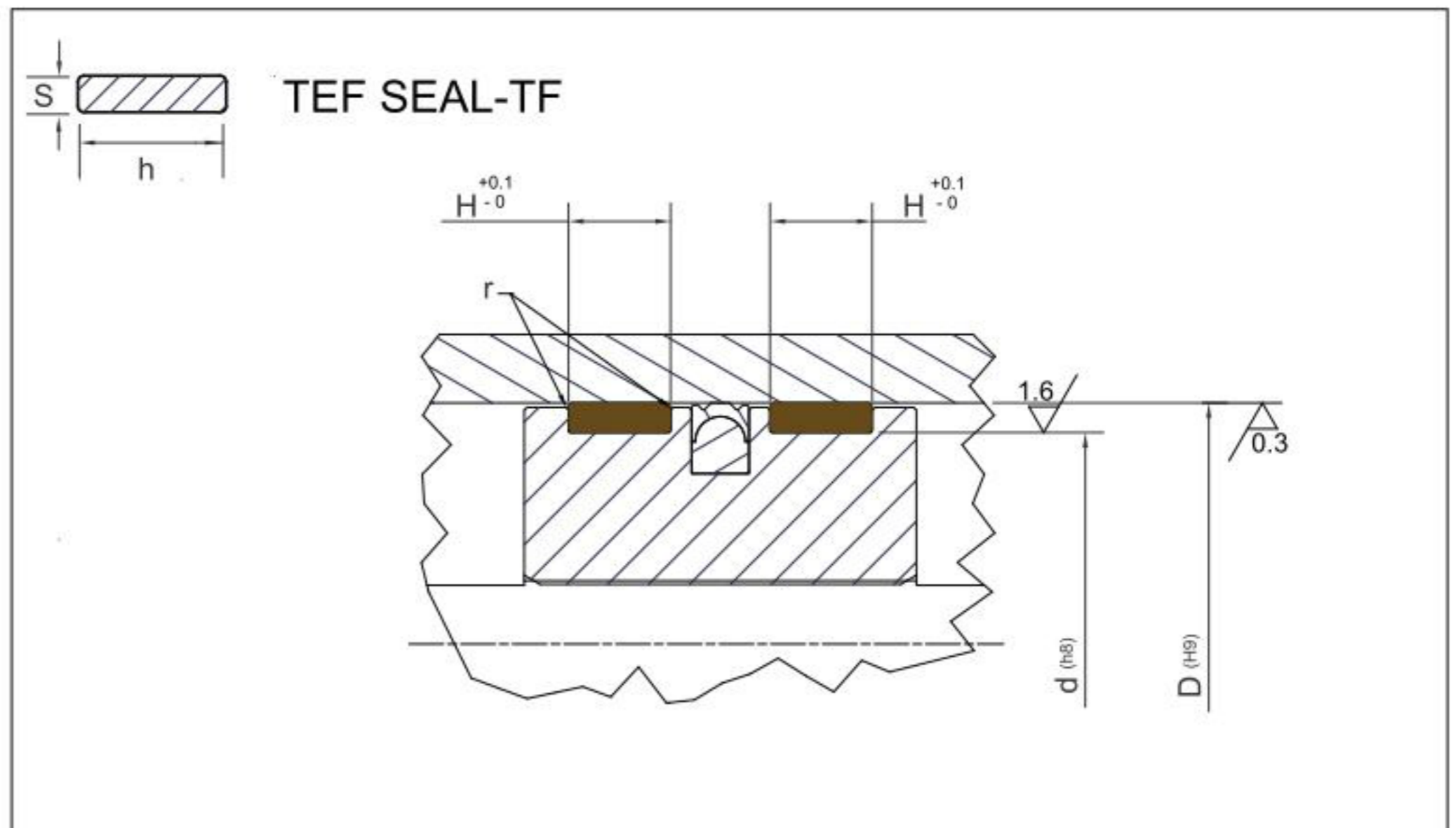
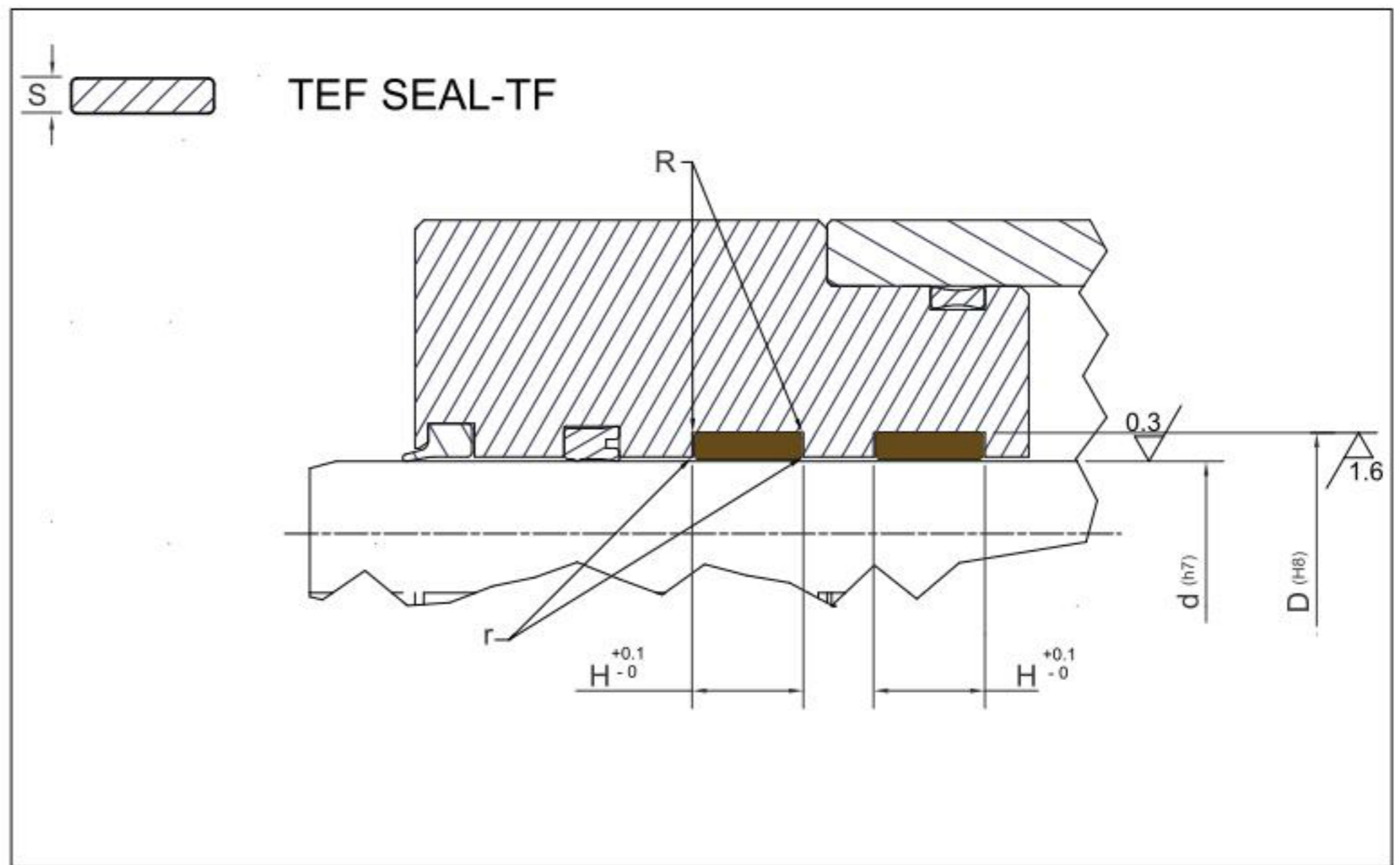


**STELO . ROD**  
 $L = \pi (d+S) - 0,8$

**PISTONE . PISTON**  
 $L = \pi (D-S) - 0,8$







### Wear Ring design guidelines

R	$R \leq 0.3 \text{ mm}$
r	$r \leq 0.2 \text{ mm}$
<b>Roughness- Ra</b>	
Sliding Surface	$Ra < 0.3 \mu\text{m}$
Groove Base	$Ra < 1.6 \mu\text{m}$
Groove Flanks	$Ra < 1.6 \mu\text{m}$

PART NR	DIMENSIONI SEDI / Housing dimensions		
	H	h	S
TF 03-3215	3,20	3,00	1,50
TF 03-6315	6,30	6,10	1,50
TF 03-15015	15,00	14,80	1,50
TF 03-20015	20,00	19,70	1,50
TF 03-25015	25,00	24,70	1,50
TF 03-4220	4,20	4,00	2,00
TF 03-6320	6,30	6,10	2,00
TF 03-8120	8,10	7,90	2,00
TF 03-9720	9,70	9,50	2,00
TF 03-12020	12,00	11,70	2,00
TF 03-15020	15,00	14,80	2,00
TF 03-20020	20,00	19,70	2,00



