

## AM 44

### Description

Product group	Wiper
Design	M with metal bonded fit
Profile no.	44
Material	TPU 95 3401, steel acc. to DIN EN 10139

### Operational application limits

Temperature (°C): -40 to +100  
Running speed (m/s):  $\leq 2$

### Media

Hydraulic oils acc. to DIN 51524 Part 1 - 3, lubricating oils, mineral oil based lubricating greases, highly non-flammable hydraulic fluids HFA, HFB, HFC acc. to VDMA 24317

### Function

The AM 44 is a single-acting wiper. Because it is pressed against the rod, dirt is wiped from the surface during the descent of the rod. On the outer diameter, a metal angle ring is vulcanised onto the TPU polyurethane body.

### Installation

The AM 44 is a single-acting wiper. Because it is pressed against the rod, dirt is wiped from the surface by the action of the rod as it retracts. On the outer diameter, a metal caged ring is vulcanised onto the TPU body.

### Remarks

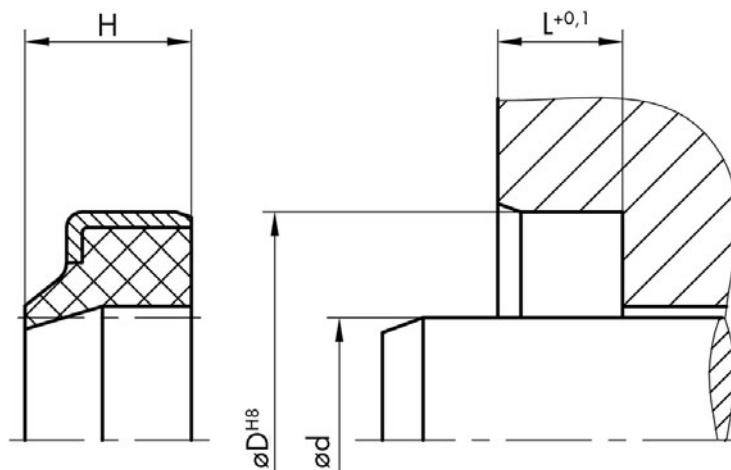
The metal caged ring ensures the correct functional fit of the wiper in the installation housing. Wipers made of TPU are well suited for application in mobile hydraulic systems which are subjected to heavy dirt loads. Due to the good wear resistance of Polyurethane, the AM 44 has a long service life.

### Order code

Please include our item numbers in your order. Should you require non-standard dimensions, materials or material combinations, please use the order code on page 12.

### Any seal. Any time.

All the items in our standard programme (marked red) are standard stock items. For all other items, please check the availability at [www.dichtomatik.de](http://www.dichtomatik.de).

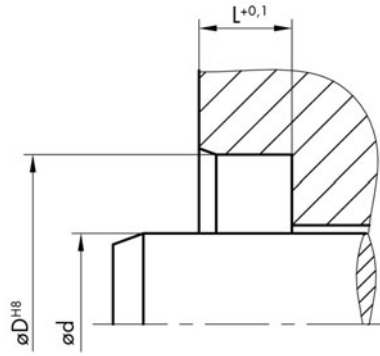


**AM 44****Sizes**

Item No.	Code	d	D	H	L
62249	AM 44	8	14	5	3.5
123027	AM 44	8	18	7	5
123028	AM 44	9	19	7	5
171211	AM 44	10	16	5	3.5
20988	AM 44	10	20	8	5
171260	AM 44	12	18	5	3.5
20989	AM 44	12	20	6	4
20990	AM 44	12	22	8	5
62253	AM 44	14	20	5	3.5
123029	AM 44	14	24	7	5
24851	AM 44	14	25	7	5
62254	AM 44	14	25	5	3.5
62255	AM 44	15	21	5	3.5
16551	AM 44	15	25	8	5
16552	AM 44	16	22	4	3
62256	AM 44	16	22	5	3.5
4206	AM 44	16	22	6	4
16553	AM 44	16	26	8	5
118395	AM 44	17	24	5	3.5
124085	AM 44	18	28	7	5
62257	AM 44	18	28	8	5
16554	AM 44	18	28	10	7
123030	AM 44	18	30	9	6
148557	AM 44	19	26	8	5
148848	AM 44	19	27	9.5	6.4
151795	AM 44	19	27	5.2	4
89982	AM 44	20	28	5	3.5
16555	AM 44	20	30	6	4
20723	AM 44	20	30	10	7
62258	AM 44	20	30	8	5
123031	AM 44	20	32	9	6
171212	AM 44	22	28	8	5
62260	AM 44	22	32	8	5
16556	AM 44	22	32	10	7
62261	AM 44	25	32	8	5
16581	AM 44	25	35	8	5
16557	AM 44	25	35	10	7
123032	AM 44	25	37	9	6
123033	AM 44	27	39	9	6
62262	AM 44	28	38	8	5
62263	AM 44	28	38	10	7
123034	AM 44	28	40	9	6
20991	AM 44	28	40	10	7
16558	AM 44	30	40	8	5
20992	AM 44	30	40	10	7
123035	AM 44	30	42	9	6
16559	AM 44	30	45	8	5
62264	AM 44	32	42	8	5
62265	AM 44	32	42	10	7
123036	AM 44	32	44	10	7
20993	AM 44	32	45	6	4
16560	AM 44	32	45	10	7
171213	AM 44	33	43	10	7
16561	AM 44	35	45	10	7
123037	AM 44	35	47	10	7

**AM 44**

**Sizes**



Item No.	Code	d	D	H	L
20994	AM 44	36	45	10	7
171214	AM 44	36	46	7	5
143975	AM 44	36	46	10	7
75211	AM 44	36	50	10	7
62269	AM 44	38	48	10	7
123038	AM 44	38	50	10	7
16562	AM 44	40	50	8	5
16563	AM 44	40	50	10	7
117599	AM 44	40	52	10	7
46874	AM 44	40	60	10	7
171216	AM 44	42	52	8	5
16564	AM 44	42	52	10	7
171217	AM 44	45	55	8	5
20995	AM 44	45	55	10	7
123039	AM 44	45	57	10	7
16565	AM 44	45	60	10	7
123040	AM 44	47	59	10	7
35310	AM 44	48	60	10	7
174362	AM 44	48	62	10	7
21146	AM 44	50	56	8	5
62272	AM 44	50	60	8	5
16566	AM 44	50	60	10	7
123041	AM 44	50	62	10	7
21133	AM 44	52	62	10	7
123042	AM 44	53	67	11	8
16567	AM 44	55	63	10	7
62273	AM 44	55	65	8	5
20996	AM 44	55	65	10	7
123043	AM 44	55	69	11	8
171218	AM 44	56	66	8	5
21129	AM 44	56	66	10	7
123044	AM 44	56	70	11	8
171219	AM 44	60	70	8	5
20997	AM 44	60	70	10	7
37431	AM 44	60	74	8	5
123045	AM 44	60	74	11	8
62276	AM 44	63	73	8	5
144207	AM 44	63	73	10	7
16568	AM 44	63	75	10	7
123046	AM 44	63	77	11	8
123047	AM 44	64	78	11	8
171220	AM 44	65	75	8	5
20998	AM 44	65	75	10	7
123048	AM 44	65	79	11	8
123049	AM 44	67	81	11	8
171221	AM 44	70	80	8	5
20999	AM 44	70	80	10	7
123050	AM 44	70	84	11	8
123051	AM 44	71	85	11	8
171222	AM 44	75	83	10	7
21000	AM 44	75	85	10	7
123052	AM 44	75	89	11	8
171223	AM 44	80	88	10	7
16569	AM 44	80	90	10	7
123053	AM 44	80	94	11	8

**AM 44****Sizes**

Item No.	Code	d	D	H	L
24264	AM 44	82	92	10	7
16570	AM 44	85	95	10	7
123054	AM 44	85	99	11	8
16571	AM 44	90	100	10	7
123055	AM 44	90	104	11	8
57273	AM 44	90	110	14	10
123056	AM 44	92	106	11	8
21130	AM 44	95	105	10	7
68553	AM 44	95	109	11	8
16572	AM 44	100	110	10	7
123057	AM 44	100	114	11	8
16573	AM 44	100	115	11	8
62280	AM 44	105	115	10	7
68559	AM 44	105	121	12	9
123058	AM 44	106	122	12	9
21001	AM 44	110	120	10	7
123059	AM 44	110	126	12	9
123060	AM 44	112	128	12	9
35884	AM 44	115	125	10	7
123061	AM 44	118	134	12	9
16574	AM 44	120	130	10	7
123062	AM 44	120	136	12	9
62281	AM 44	125	140	12	9
123063	AM 44	125	141	12	9
16575	AM 44	130	145	12	9
123065	AM 44	130	146	12	9
123066	AM 44	132	148	12	9
21350	AM 44	135	150	12	9
123067	AM 44	135	155	14	10
16576	AM 44	140	155	12	9
123068	AM 44	140	160	16	10
123069	AM 44	145	165	14	10
16577	AM 44	150	165	12	9
123070	AM 44	150	170	14	10
16578	AM 44	160	175	12	9
123071	AM 44	160	180	14	10
123072	AM 44	165	185	14	10
123073	AM 44	170	190	14	10
123074	AM 44	175	195	14	10
36615	AM 44	180	195	14	10
123075	AM 44	180	205	17	12
123076	AM 44	190	215	17	12
74322	AM 44	200	216	12	9
25957	AM 44	200	220	16	12
123077	AM 44	200	225	17	12
123078	AM 44	210	235	17	12
123079	AM 44	212	237	17	12
123080	AM 44	220	245	17	12
123081	AM 44	224	249	17	12
123082	AM 44	225	250	17	12
74323	AM 44	240	260	14	10
78247	AM 44	250	270	17	12
123085	AM 44	250	275	17	12
155757	AM 44	254	274	16	12
22824	AM 44	270	295	16	12
36574	AM 44	280	300	16	12