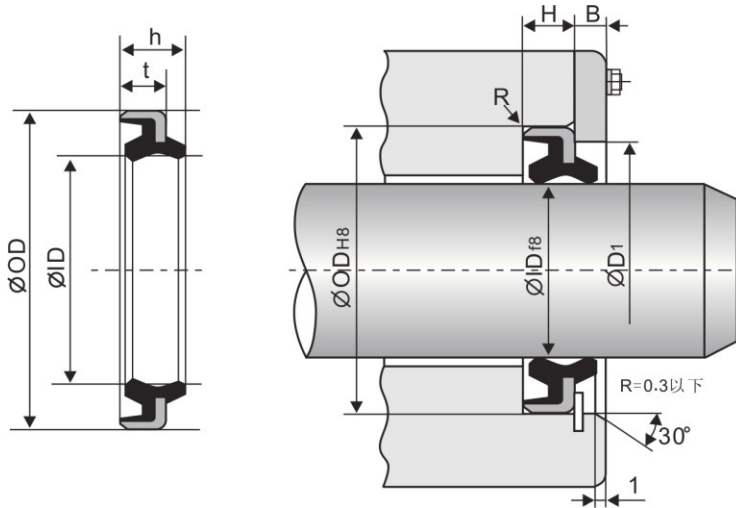


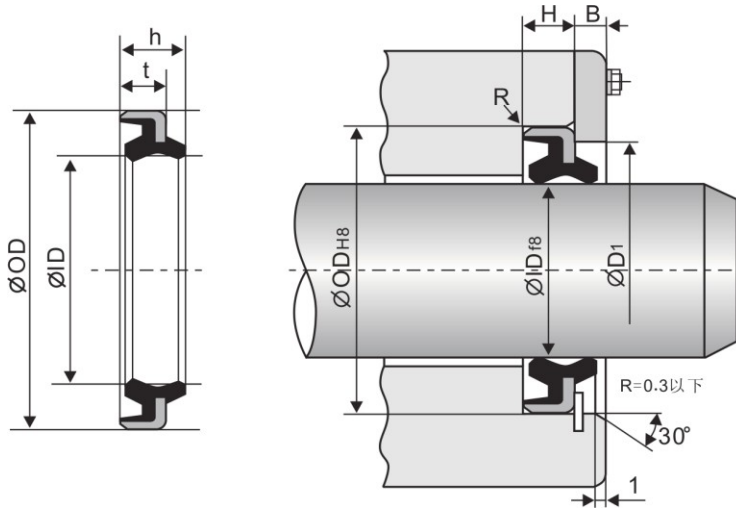
# DKB WIPER SEAL



| APPLICATION |            |
|-------------|------------|
| MATERIAL    | NBR+STEEL  |
| TEMP.       | -20°C~80°C |

| ITEM    | ID | OD | t   | h  | D1 | H                                  | B |
|---------|----|----|-----|----|----|------------------------------------|---|
| DKB-010 | 10 | 20 | 5   | 8  | 16 | 5 <sup>+0.5</sup> <sub>+0.3</sub>  | 3 |
| DKB-014 | 14 | 22 | 4   | 5  | 19 | 4 <sup>+0.5</sup> <sub>+0.3</sub>  | 4 |
| DKB-014 | 14 | 24 | 5   | 7  | 19 | 5 <sup>+0.5</sup> <sub>+0.3</sub>  | 4 |
| DKB-016 | 16 | 26 | 5   | 7  | 21 | 5 <sup>+0.5</sup> <sub>+0.3</sub>  | 4 |
| DKB-018 | 18 | 30 | 6   | 9  | 25 | 6 <sup>+0.5</sup> <sub>+0.3</sub>  | 4 |
| DKB-019 | 19 | 31 | 6   | 9  | 26 | 6 <sup>+0.5</sup> <sub>+0.3</sub>  | 4 |
| DKB-020 | 20 | 32 | 6   | 9  | 27 | 6 <sup>+0.5</sup> <sub>+0.3</sub>  | 4 |
| DKB-022 | 22 | 32 | 6   | 9  | 29 | 6 <sup>+0.5</sup> <sub>+0.3</sub>  | 4 |
| DKB-022 | 22 | 34 | 6   | 9  | 29 | 6 <sup>+0.5</sup> <sub>+0.3</sub>  | 4 |
| DKB-025 | 25 | 37 | 6   | 9  | 32 | 6 <sup>+0.5</sup> <sub>+0.3</sub>  | 4 |
| DKB-028 | 28 | 40 | 6   | 9  | 35 | 6 <sup>+0.5</sup> <sub>+0.3</sub>  | 4 |
| DKB-030 | 30 | 42 | 6   | 9  | 37 | 6 <sup>+0.5</sup> <sub>+0.3</sub>  | 4 |
| DKB-030 | 30 | 45 | 6   | 9  | 37 | 6 <sup>+0.5</sup> <sub>+0.3</sub>  | 4 |
| DKB-030 | 30 | 47 | 7   | 10 | 37 | 7 <sup>+0.5</sup> <sub>+0.3</sub>  | 4 |
| DKB-032 | 32 | 44 | 7   | 10 | 39 | 7 <sup>+0.5</sup> <sub>+0.3</sub>  | 4 |
| DKB-032 | 32 | 52 | 8   | 11 | 39 | 8 <sup>+0.5</sup> <sub>+0.3</sub>  | 4 |
| DKB-035 | 35 | 47 | 7   | 10 | 42 | 7 <sup>+0.5</sup> <sub>+0.3</sub>  | 4 |
| DKB-035 | 35 | 55 | 9.3 | 12 |    |                                    |   |
| DKB-040 | 40 | 52 | 7   | 10 | 47 | 7 <sup>+0.5</sup> <sub>+0.3</sub>  | 4 |
| DKB-040 | 40 | 62 | 7   | 10 | 47 | 7 <sup>+0.5</sup> <sub>+0.3</sub>  | 4 |
| DKB-045 | 45 | 57 | 7   | 10 | 52 | 7 <sup>+0.5</sup> <sub>+0.3</sub>  | 4 |
| DKB-045 | 45 | 68 | 7   | 10 | 52 | 7 <sup>+0.5</sup> <sub>+0.3</sub>  | 4 |
| DKB-050 | 50 | 62 | 7   | 10 | 57 | 7 <sup>+0.5</sup> <sub>+0.3</sub>  | 4 |
| DKB-050 | 50 | 72 | 8   | 11 | 57 | 8 <sup>+0.5</sup> <sub>+0.3</sub>  | 4 |
| DKB-055 | 55 | 69 | 8   | 11 | 62 | 8 <sup>+0.6</sup> <sub>+0.4</sub>  | 4 |
| DKB-056 | 56 | 70 | 8   | 11 | 63 | 8 <sup>+0.6</sup> <sub>+0.4</sub>  | 4 |
| DKB-060 | 60 | 74 | 8   | 11 | 67 | 8 <sup>+0.6</sup> <sub>+0.4</sub>  | 4 |
| DKB-060 | 60 | 82 | 11  | 14 | 67 | 11 <sup>+0.6</sup> <sub>+0.4</sub> | 4 |

# DKB WIPER SEAL



| APPLICATION |            |
|-------------|------------|
| MATERIAL    | NBR+STEEL  |
| TEMP.       | -20°C~80°C |

| ITEM    | ID  | OD  | t  | h  | D1  | H                                  | B |
|---------|-----|-----|----|----|-----|------------------------------------|---|
| DKB-065 | 65  | 79  | 8  | 11 | 72  | 8 <sup>+0.6</sup> <sub>+0.4</sub>  | 4 |
| DKB-070 | 70  | 84  | 8  | 11 | 77  | 8 <sup>+0.6</sup> <sub>+0.4</sub>  | 4 |
| DKB-075 | 75  | 89  | 8  | 11 | 82  | 8 <sup>+0.6</sup> <sub>+0.4</sub>  | 4 |
| DKB-080 | 80  | 94  | 8  | 11 | 87  | 8 <sup>+0.6</sup> <sub>+0.4</sub>  | 4 |
| DKB-085 | 85  | 99  | 8  | 11 | 92  | 8 <sup>+0.6</sup> <sub>+0.4</sub>  | 4 |
| DKB-090 | 90  | 104 | 8  | 11 | 97  | 8 <sup>+0.6</sup> <sub>+0.4</sub>  | 4 |
| DKB-095 | 95  | 109 | 8  | 11 | 102 | 8 <sup>+0.6</sup> <sub>+0.4</sub>  | 4 |
| DKB-100 | 100 | 114 | 8  | 11 | 107 | 8 <sup>+0.6</sup> <sub>+0.4</sub>  | 4 |
| DKB-105 | 105 | 121 | 9  | 12 | 113 | 9 <sup>+0.6</sup> <sub>+0.4</sub>  | 5 |
| DKB-110 | 110 | 126 | 9  | 12 | 118 | 9 <sup>+0.6</sup> <sub>+0.4</sub>  | 5 |
| DKB-112 | 112 | 128 | 9  | 12 | 120 | 9 <sup>+0.6</sup> <sub>+0.4</sub>  | 5 |
| DKB-115 | 115 | 131 | 9  | 12 | 123 | 9 <sup>+0.6</sup> <sub>+0.4</sub>  | 5 |
| DKB-120 | 120 | 136 | 9  | 12 | 128 | 9 <sup>+0.6</sup> <sub>+0.4</sub>  | 5 |
| DKB-125 | 125 | 141 | 9  | 12 | 133 | 9 <sup>+0.6</sup> <sub>+0.4</sub>  | 5 |
| DKB-130 | 130 | 146 | 9  | 12 | 138 | 9 <sup>+0.6</sup> <sub>+0.4</sub>  | 5 |
| DKB-140 | 140 | 160 | 10 | 14 | 150 | 10 <sup>+0.6</sup> <sub>+0.4</sub> | 5 |
| DKB-150 | 150 | 170 | 10 | 14 | 160 | 10 <sup>+0.6</sup> <sub>+0.4</sub> | 5 |
| DKB-155 | 155 | 175 | 10 | 14 | 165 | 10 <sup>+0.6</sup> <sub>+0.4</sub> | 5 |
| DKB-160 | 160 | 180 | 10 | 14 | 170 | 10 <sup>+0.6</sup> <sub>+0.4</sub> | 5 |
| DKB-170 | 170 | 190 | 10 | 14 | 180 | 10 <sup>+0.6</sup> <sub>+0.4</sub> | 5 |
| DKB-180 | 180 | 205 | 12 | 17 | 191 | 12 <sup>+0.7</sup> <sub>+0.5</sub> | 6 |
| DKB-200 | 200 | 225 | 12 | 17 | 212 | 12 <sup>+0.7</sup> <sub>+0.5</sub> | 6 |
| DKB-210 | 210 | 235 | 12 | 17 |     |                                    |   |
| DKB-225 | 225 | 250 | 12 | 17 | 237 | 12 <sup>+0.7</sup> <sub>+0.5</sub> | 6 |
| DKB-250 | 250 | 275 | 12 | 17 | 262 | 12 <sup>+0.7</sup> <sub>+0.5</sub> | 6 |
| DKB-260 | 260 | 285 | 12 | 17 |     |                                    |   |