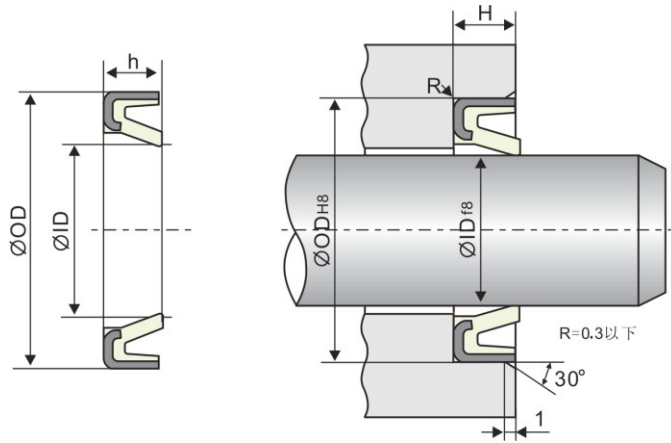


# DLI WIPER SEAL



APPLICATION	
MATERIAL	PU+STEEL
TEMP.	-40°C~100°C
SPEED	1m/s

ITEM	ID	OD	h	H
DLI-036	36	48	6	6 <sup>+0.5</sup> <sub>+0.3</sub>
DLI-040	40	52	7	7 <sup>+0.5</sup> <sub>+0.3</sub>
DLI-045	45	55	7	7 <sup>+0.5</sup> <sub>+0.3</sub>
DLI-045	45	57	7	7 <sup>+0.5</sup> <sub>+0.3</sub>
DLI-050	50	62	7	7 <sup>+0.5</sup> <sub>+0.3</sub>
DLI-080	80	95	7	7 <sup>+0.5</sup> <sub>+0.3</sub>
DLI-039.75	39.75	50	8	8 <sup>+0.5</sup> <sub>+0.3</sub>
DLI-042	42	52	8	8 <sup>+0.5</sup> <sub>+0.3</sub>
DLI-055	55	69	8	8 <sup>+0.6</sup> <sub>+0.4</sub>
DLI-060	60	74	8	8 <sup>+0.6</sup> <sub>+0.4</sub>
DLI-065	65	79	8	8 <sup>+0.6</sup> <sub>+0.4</sub>
DLI-070	70	84	8	8 <sup>+0.6</sup> <sub>+0.4</sub>
DLI-075	75	89	8	8 <sup>+0.6</sup> <sub>+0.4</sub>
DLI-080	80	94	8	8 <sup>+0.6</sup> <sub>+0.4</sub>
DLI-085	85	99	8	8 <sup>+0.6</sup> <sub>+0.4</sub>
DLI-090	90	104	8	8 <sup>+0.6</sup> <sub>+0.4</sub>
DLI-100	100	114	8	8 <sup>+0.6</sup> <sub>+0.4</sub>
DLI-105	105	121	9	9 <sup>+0.6</sup> <sub>+0.4</sub>
DLI-110	110	126	9	9 <sup>+0.6</sup> <sub>+0.4</sub>
DLI-120	120	136	9	9 <sup>+0.6</sup> <sub>+0.4</sub>
DLI-130	130	146	9	9 <sup>+0.6</sup> <sub>+0.4</sub>
DLI-110	110	130	10	10 <sup>+0.6</sup> <sub>+0.4</sub>
DLI-140	140	160	10	10 <sup>+0.6</sup> <sub>+0.4</sub>
DLI-150	150	170	10	10 <sup>+0.6</sup> <sub>+0.4</sub>