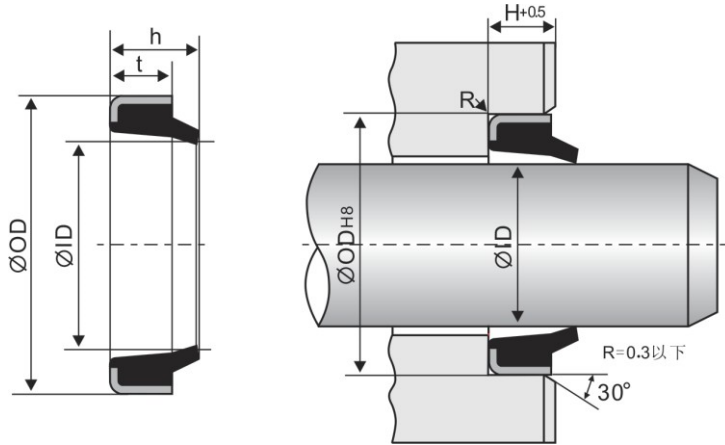


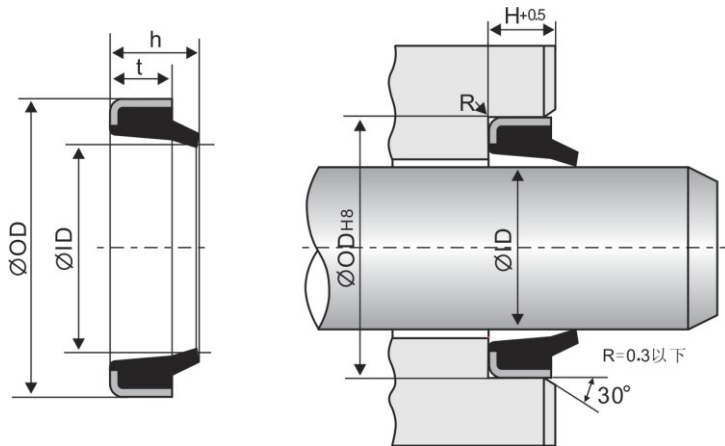
GA WIPER SEAL



APPLICATION	
MATERIAL	NBR+STEEL
TEMP.	-35°C~80°C

ITEM	ID	OD	t	h
GA-015	15	25	5	8
GA-016	16	26	5	8
GA-018	18	28	7	10
GA-020	20	30	5	8
GA-020	20	30	7	10
GA-022	22	28	5	9
GA-022	22	32	5	7
GA-022	22	32	7	10
GA-025	25	35	5	8
GA-025	25	35	7	10
GA-028	28	38	5	8
GA-030	30	40	7	10
GA-032	32	45	4	8
GA-035	35	45	5	8
GA-036	36	45	7	10
GA-040	40	50	7	10
GA-040	40	50	5	8
GA-045	45	53	5	8
GA-045	45	55	7	10
GA-045	45	60	7	10
GA-050	50	60	5	7
GA-050	50	60	7	10
GA-050	50	65	7	10
GA-055	55	65	7	10
GA-056	56	66	7	10
GA-060	60	70	7	10
GA-060	60	75	7	10
GA-063	63	75	7	10
GA-065	65	75	7	10
GA-070	70	80	7	10
GA-075	75	85	7	10
GA-080	80	90	7	10
GA-085	85	95	7	10

GA WIPER SEAL



APPLICATION	
MATERIAL	NBR+STEEL
TEMP.	-35°C~80°C

ITEM	ID	OD	t	h
GA-090	90	100	7	10
GA-095	95	105	7	10
GA-100	100	110	7	10
GA-105	105	115	7	10
GA-110	110	120	7	10
GA-115	115	125	7	10
GA-120	120	130	7	10
GA-125	125	140	9	12
GA-135	135	150	9	12
GA-140	140	155	9	12
GA-150	150	165	9	12
GA-170	170	185	9	12
GA-180	180	195	10	14
GA-185	185	200	10	14
GA-200	200	220	12	16