



GGW

RASCHIATORI
WIPERS

TECNOLAN

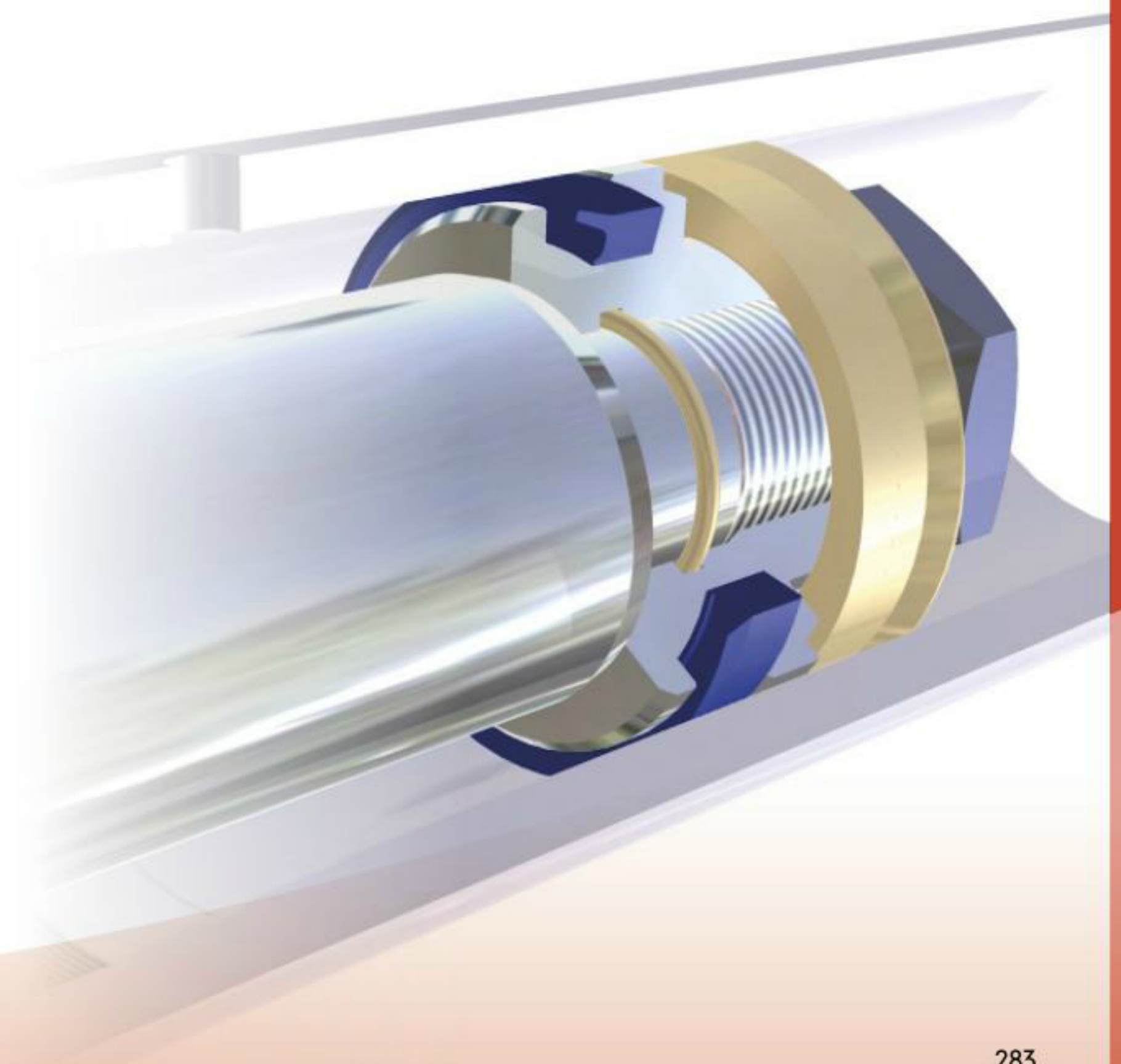
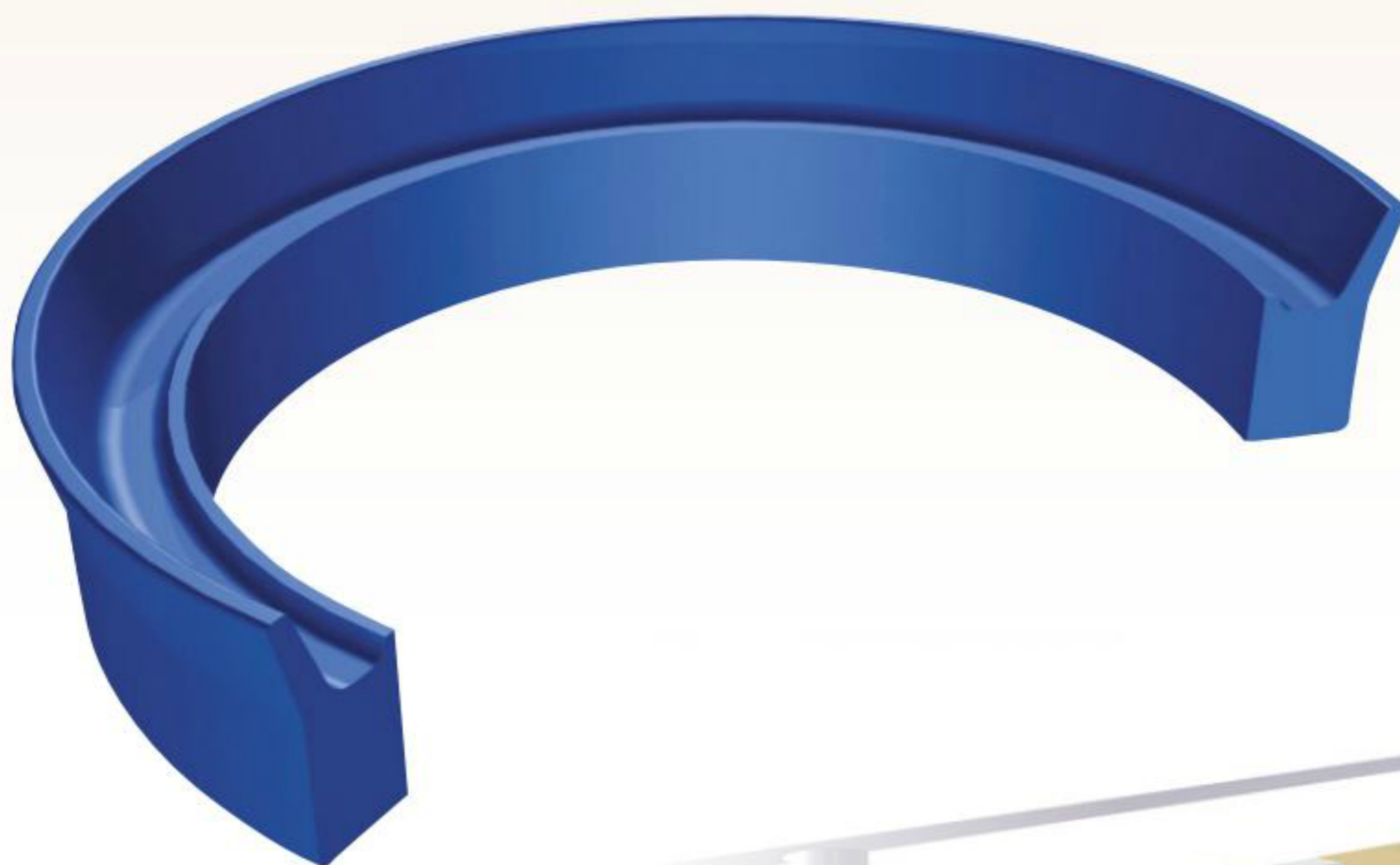
Versione standard	Standard version
Poliuretano	<i>Polyurethane</i>
Velocità fino a / Speed up to	
0.8 m/s	
Temperatura / Temperature	
-35°C +100°C	
Applicazioni	Applications
Cilindri idraulici semplice effetto	<i>Single acting hydraulic cylinders</i>

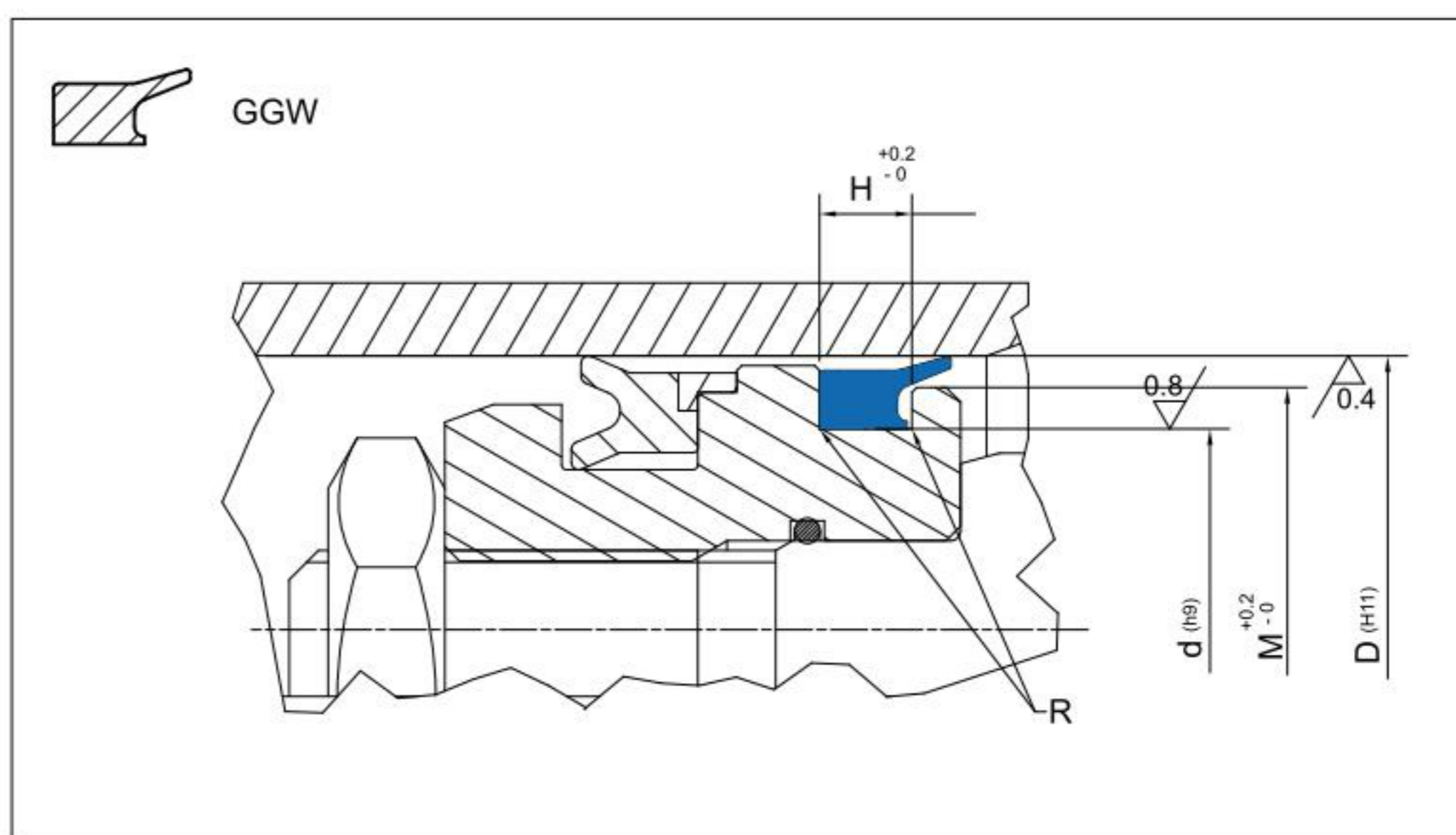


RASCHIATORI
WIPERS

GGW

282÷284




Design wipers guidelines

R	R ≤ 0.5 mm	
r	r ≤ 0.3 mm	
A	D ≤ 70mm	D ≥ 70mm
	4 mm	6 mm



PART NR	DIMENSIONI SEDI / Housing dimensions			
	D	d	H	M
GGW 40	40,00	31,40	5,30	37,00
GGW 45	45,00	36,40	5,30	42,00
GGW 50	50,00	41,40	5,30	47,00
GGW 55	55,00	46,40	5,30	52,00
GGW 60	60,00	51,40	5,30	57,00
GGW 63	63,00	54,40	5,30	60,00
GGW 65	65,00	56,40	5,30	62,00
GGW 70	70,00	61,40	5,30	67,00
GGW 75	75,00	66,40	5,30	72,00
GGW 80	80,00	71,40	5,30	77,00
GGW 90	90,00	81,40	5,30	87,00
GGW 95	95,00	86,40	5,30	92,00
GGW 100	100,00	91,40	5,30	97,00
GGW 110	110,00	101,40	5,30	107,00
GGW 115	115,00	106,40	5,30	112,00
GGW 120	120,00	111,40	5,30	117,00
GGW 125	125,00	116,40	5,30	122,00
GGW 140	140,00	131,40	5,30	137,00