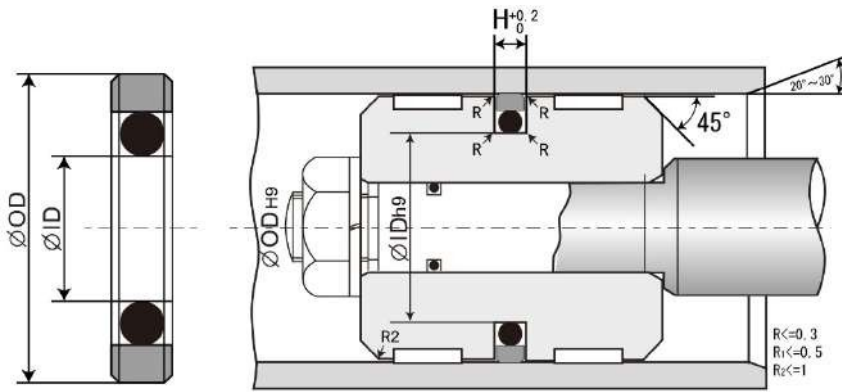


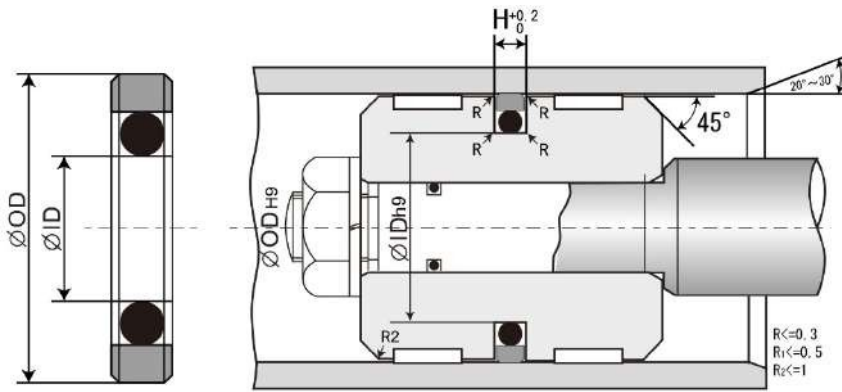
PS08



APPLICATION	
MATERIAL	PTFE+NBR
TEMP.	-35°C~105°C
PRESSURE	600kgf/cm ²
SPEED	5m/s

ITEM	OD	ID	H	ITEM	OD	ID	H
PS08-008	8	4	2.1	PS08-080	80	70	4.2
PS08-012	12	7.1	2.2	PS08-085	85	75	4.2
PS08-025	25	19	2.85	PS08-090	90	79	4.2
PS08-018	18	10.5	3.2	PS08-100	100	89	4.2
PS08-020	20	12.5	3.2	PS08-110	110	99	4.2
PS08-022	22	14.5	3.2	PS08-120	120	109	4.2
PS08-024	24	16.5	3.2	PS08-125	125	114	4.2
PS08-025	25	17.5	3.2	PS08-140	140	129	4.2
PS08-026	26	18.5	3.2	PS08-150	150	139	4.2
PS08-028	28	20.5	3.2	PS08-110	65	52.5	5.6
PS08-030	30	22.5	3.2	PS08-110	70	57.5	5.6
PS08-032	32	24.5	3.2	PS08-110	90	77.5	5.6
PS08-033	33	25	3.2	PS08-050	50	34.5	6.3
PS08-035	35	27.5	3.2	PS08-055	55	39.5	6.3
PS08-036	36	28.5	3.2	PS08-060	60	44.5	6.3
PS08-038	38	30.5	3.2	PS08-063	63	47.5	6.3
PS08-040	40	32.5	3.2	PS08-065	65	49.5	6.3
PS08-042	42	34	3.2	PS08-070	70	54.5	6.3
PS08-057	57	49.5	3.2	PS08-070	70	54.9	6.3
PS08-032	32	21	4.2	PS08-075	75	59.5	6.3
PS08-035	35	24.3	4.2	PS08-080	80	64.5	6.3
PS08-040	40	29	4.2	PS08-085	85	69.5	6.3
PS08-040	40	30	4.2	PS08-090	90	74.5	6.3
PS08-042	42	31	4.2	PS08-095	95	79.5	6.3
PS08-045	45	34	4.2	PS08-100	100	84.5	6.3
PS08-045	45	35	4.2	PS08-105	105	89.5	6.3
PS08-048	48	37	4.2	PS08-110	110	94.5	6.3
PS08-050	50	39	4.2	PS08-115	115	99.5	6.3
PS08-052	52	41	4.2	PS08-120	120	104.5	6.3
PS08-055	55	44	4.2	PS08-125	125	109.5	6.3
PS08-057	57	46	4.2	PS08-130	130	114.5	6.3
PS08-060	60	49	4.2	PS08-135	135	119.5	6.3
PS08-060	60	50	4.2	PS08-140	140	124.5	6.3
PS08-063	63	52	4.2	PS08-145	145	129.5	6.3
PS08-065	65	54	4.2	PS08-150	150	134.5	6.3
PS08-070	70	59	4.2	PS08-160	160	144.5	6.3
PS08-070	70	60	4.2	PS08-180	180	164.5	6.3
PS08-075	75	64	4.2	PS08-200	200	184.5	6.3
PS08-080	80	69	4.2	PS08-080	80	59	8.1

PS08



APPLICATION	
MATERIAL	PTFE+NBR
TEMP.	-35°C~105°C
PRESSURE	600kgf/cm ²
SPEED	5m/s

ITEM	OD	ID	H	ITEM	OD	ID	H
PS08-085	85	64	8.1	PS08-240	240	219	8.1
PS08-090	90	69	8.1	PS08-250	250	229	8.1
PS08-095	95	74	8.1	PS08-260	260	239	8.1
PS08-100	100	79	8.1	PS08-270	270	249	8.1
PS08-105	105	84	8.1	PS08-280	280	259	8.1
PS08-110	110	89	8.1	PS08-290	290	269	8.1
PS08-115	115	94	8.1	PS08-300	300	275.5	8.1
PS08-120	120	99	8.1	PS08-300	300	279	8.1
PS08-125	125	104	8.1	PS08-310	310	289	8.1
PS08-130	130	109	8.1	PS08-315	315	294	8.1
PS08-135	135	114	8.1	* PS08-320	320	299	8.1
PS08-140	140	119	8.1	PS08-330	330	305.5	8.1
PS08-145	145	124	8.1	* PS08-340	340	315.5	8.1
PS08-150	150	129	8.1	PS08-350	350	325.5	8.1
PS08-155	155	134	8.1	* PS08-360	360	335.5	8.1
PS08-160	160	139	8.1	* PS08-370	370	345.5	8.1
PS08-165	165	144	8.1	PS08-380	380	355.5	8.1
PS08-170	170	149	8.1	* PS08-390	390	365.5	8.1
PS08-175	175	154	8.1	PS08-400	400	375.5	8.1
PS08-180	180	159	8.1	* PS08-410	410	385.5	8.1
PS08-185	185	164	8.1	* PS08-420	420	395.5	8.1
PS08-190	190	169	8.1	* PS08-430	430	405.5	8.1
PS08-200	200	179	8.1	PS08-440	440	415.5	8.1
* PS08-205	205	184	8.1	* PS08-450	450	425.5	8.1
PS08-210	210	189	8.1	PS08-460	460	435.5	8.1
PS08-215	215	194	8.1	* PS08-470	470	445.5	8.1
PS08-220	220	199	8.1	PS08-480	480	455.5	8.1
PS08-225	225	204	8.1	* PS08-490	490	465.5	8.1
PS08-230	230	209	8.1				