



# TTE/W TTE/W-RR

**Guarnizioni per PISTONE**  
**PISTON seals**

**TECNOLAN**



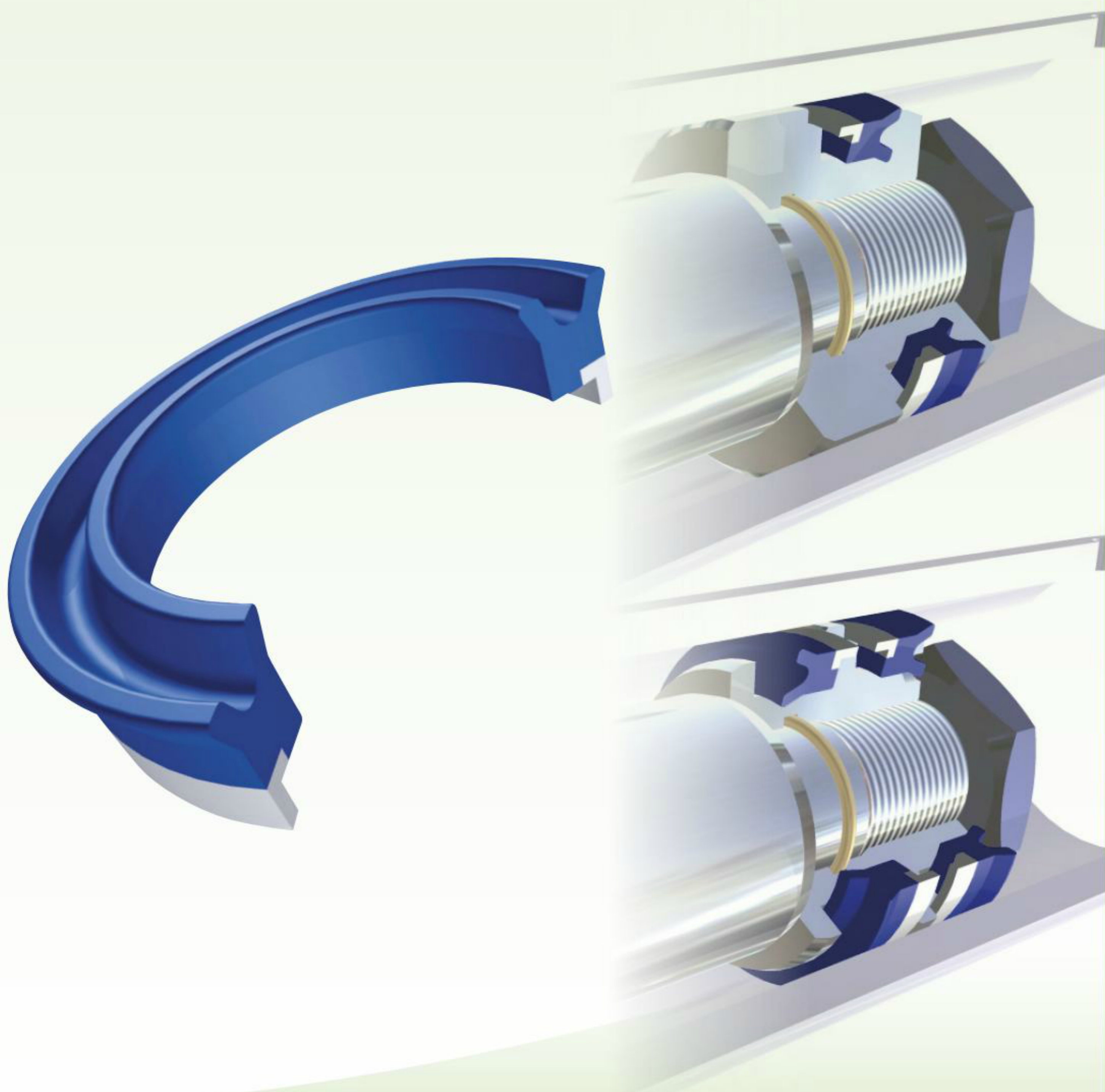
<b>Versione standard</b>		<b>Standard version</b>	
TTE/W	Poliuretano Tecnolan+POM	TTE/W	Polyurethane Tecnolan+POM
TTE/W-RR	Poliuretano Tecnolan+POM+ anello Snap Ring POM	TTE/W-RR	Polyurethane Tecnolan+POM+ POM Snap Ring
<b>Versioni Alternative</b>		<b>Alternative Versions</b>	
Poliuretano Basse Temperature+POM		Low Temperature Polyurethane+POM	
<b>Pressione fino a / Pressure up to</b>			
50 MPa			
<b>Velocità fino a / Speed up to</b>			
0.5 m/s			
<b>Temperatura / Temperature</b>			
-35°C +100°C		-50°C +110°C PN 522	
<b>Applicazioni</b>		<b>Applications</b>	
Cilindri Idraulici Sponde Idrauliche Macchine movimento terra		Hydraulic Cylinders Tail Lifts Earthmoving Machinery	



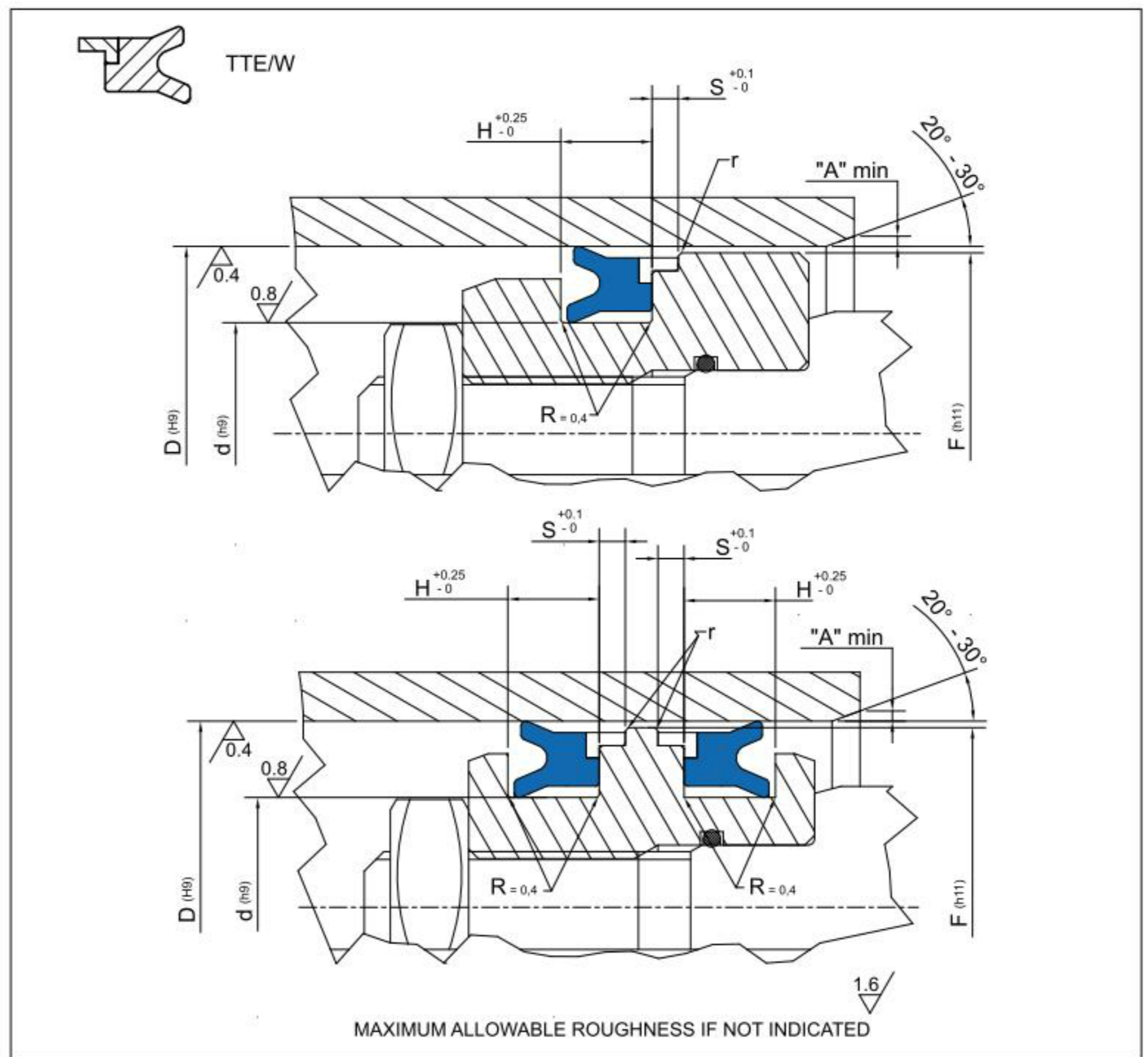
Guarnizioni per PISTONE  
PISTON seals

# TTE/W • TTE/W-RR

188÷195



## TTE/W TTE/W-RR



### Piston Seal design guidelines

	< d ≤ 100mm		d ≥ 100mm	
r	remove sharp edges: r ≤ 0.3mm			
A	1 mm	2 mm	3 mm	3 mm < A ≤ 5 mm

PART NR		DIMENSIONI SEDI / Housing dimensions				
		D	d	H	F	S
TTE/W 2001	32-20-8-W	32,00	20,00	9,00	28,50	6,35
TTE/W 2001/1	32-20-9-W	32,00	20,00	10,00	28,50	6,35
TTE/W 2002	35-22-9-W	35,00	22,00	10,00	31,40	6,35
TTE/W 2003	40-25-8,5-W	40,00	25,00	9,50	35,40	6,35
TTE/W 2004	40-26-8,5-W	40,00	26,00	9,50	35,40	6,35
TTE/W 2004/2	40-30-7-W	40,00	30,00	8,00	35,40	6,35
TTE/W 2004/1	40-30-8,5-W	40,00	30,00	9,50	35,40	6,35
TTE/W 2005	45-30-9-W	45,00	30,00	10,00	40,40	6,35
TTE/W 2006	45-35-8,5-W	45,00	35,00	9,50	40,40	6,35
TTE/W 2007	50-30-13,5	50,00	30,00	14,50	44,30	6,35
TTE/W 2008	50-35-10-W	50,00	35,00	11,00	45,35	6,35
TTE/W 2009	50-40-10-W	50,00	40,00	11,00	45,40	6,35
TTE/W 2010	55-40-10-W	55,00	40,00	11,00	50,35	6,35
TTE/W 2011	60-40-13,5-W1	60,00	40,00	14,50	54,20	6,35
TTE/W 2012	60-40-13,5-W	60,00	40,00	14,50	55,40	6,35
TTE/W 2013	60-45-10/W	60,00	45,00	11,00	54,20	6,35
TTE/W 2013/1	60-45-10-W1	60,00	45,00	11,00	55,40	6,35
TTE/W 2014	63-45-10-W	63,00	45,00	11,00	58,40	6,35
TTE/W 2015	65-50-10-W	65,00	50,00	11,00	60,40	6,35

