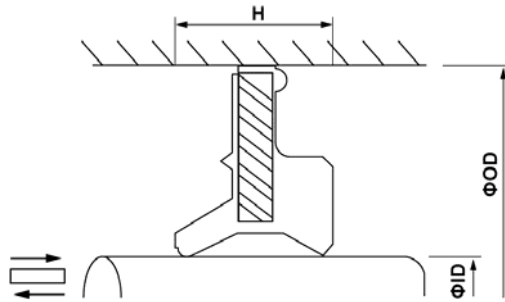


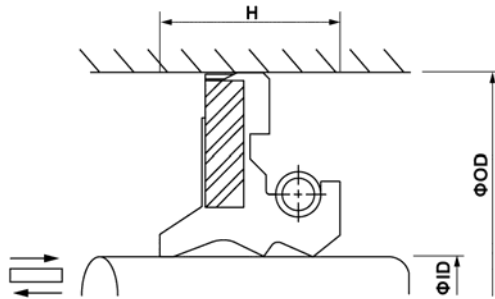
KCY



APPLICATION	
MATERIAL	NBR+STEEL
TEMP.	-30°C~80°C

ITEM	ID	OD	H
KCY 22*34.5*2/5.7	22	34.5	2/5.7
KCY 25*37.8*2/5.5	25	37.8	2/5.5
KCY 29*40.8*2/5.5	29	40.8	2/5.5

TC4WY



APPLICATION	
MATERIAL	NBR+STEEL
TEMP.	-20°C~80°C

ITEM	ID	OD	H
TC4WY 9*20.2*6	9	20.2	6
TC4WY 12*24*2/7	12	24	2/7
TC4WY 14*25*2.1/5.9	14	25	2.1/5.9
TC4WY 15*27*2.2/6.9	15	27	2.2/6.8
TC4WY 15.8*30.5*2.9/6.7	15.8	30.5	2.9/6.7
TC4WY 19*35*2.3/7	19	35	2.3/7
TC4WY 20*32.2*2/7	20	32.2	2/7
TC4WY 21.4*34.8*2/6.4	21.4	34.8	2/6.4
TC4WY 22*34*2.1/6.2	22	34	2.1/6.2
TC4WY 22*40*2.5/7	22	40	2.5/7
TC4WY 26*38.6*2.4/6.3	26	38.6	2.4/6.3
TC4WY 26*44*2.5/7	26	44	2.5/7