

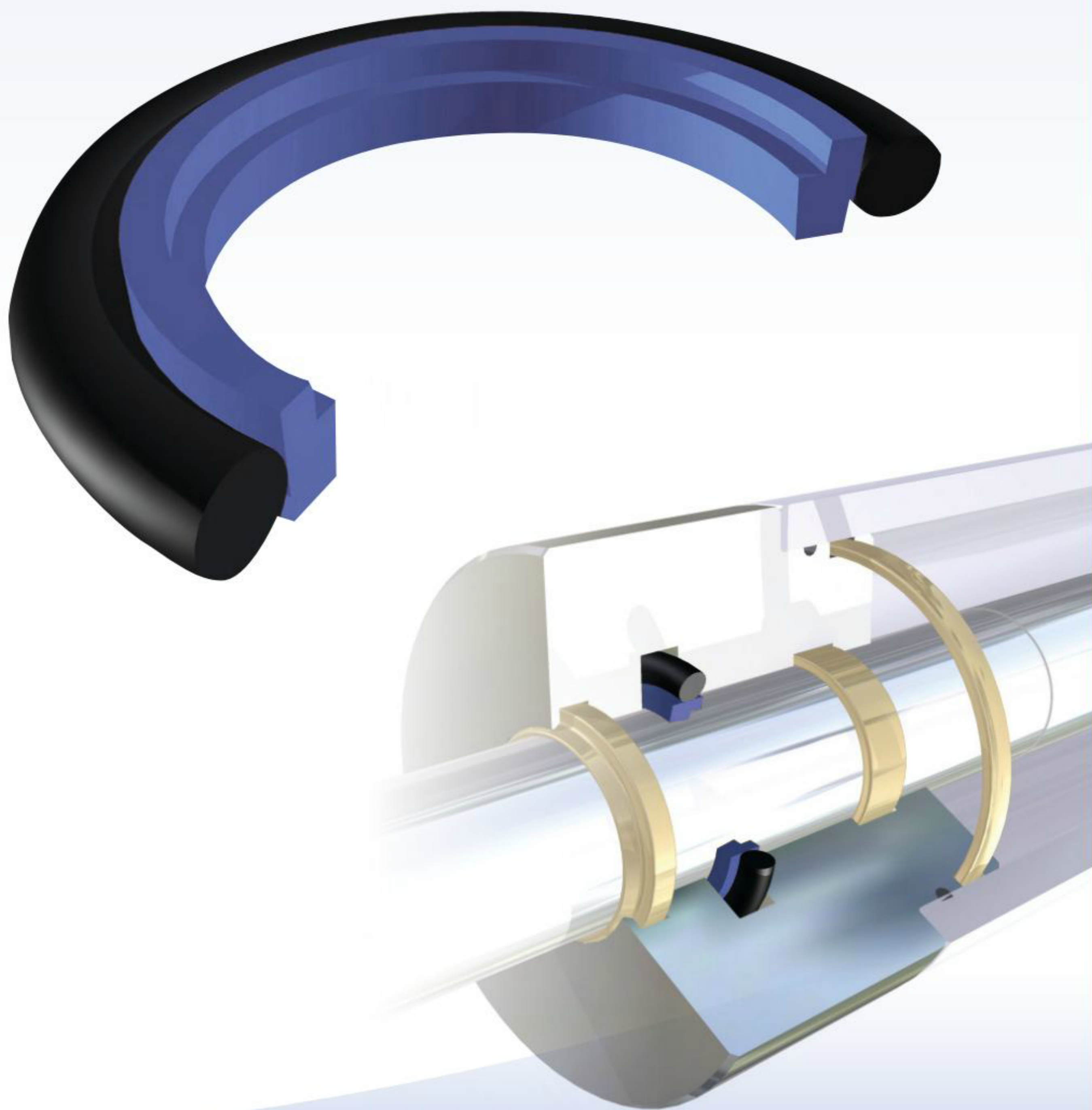


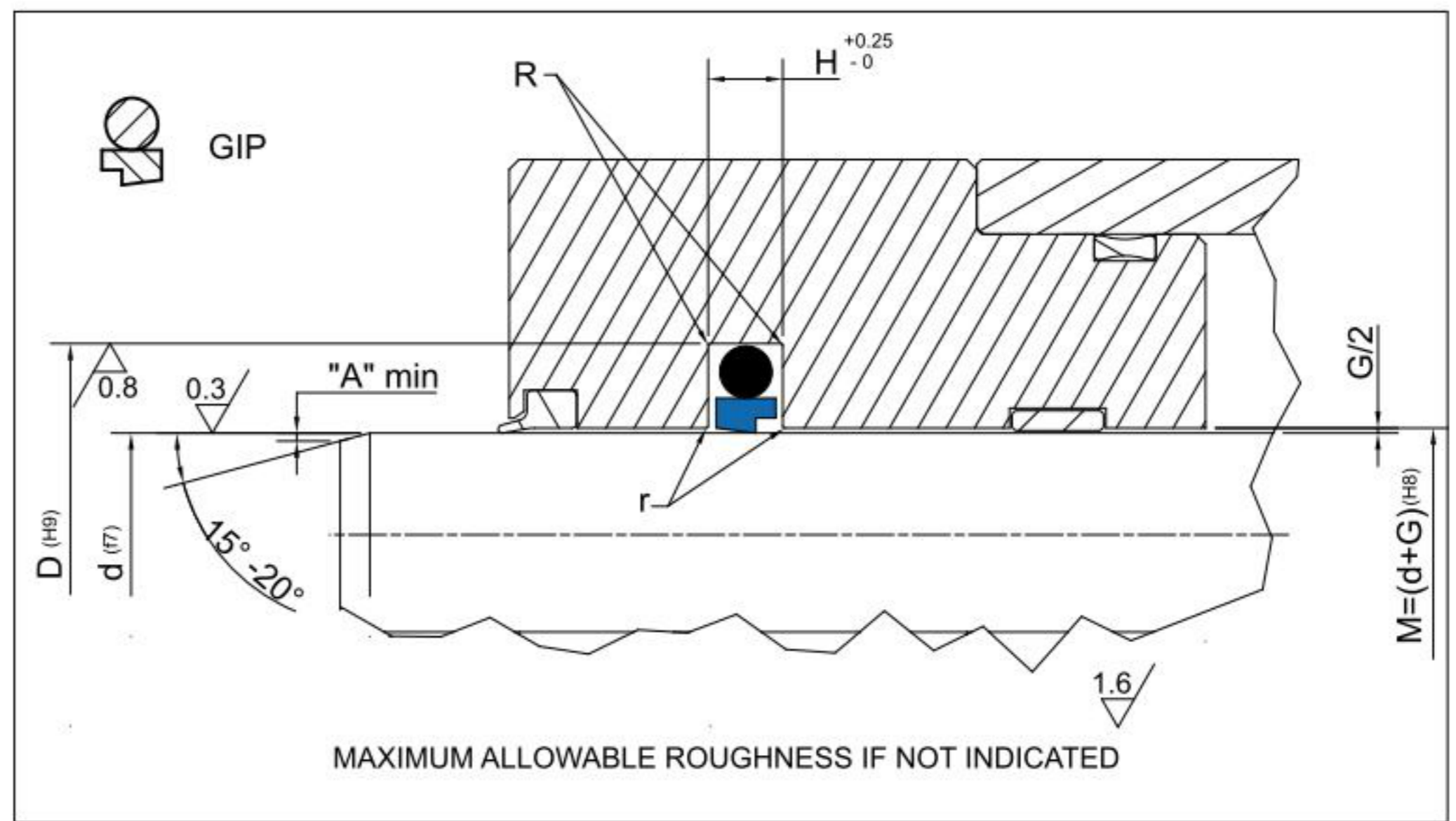
GIP

**Guarnizioni per STELO
ROD seals**

TECNOLAN

Versione standard	Standard version
Poliuretano +OR NBR	Polyurethane+OR NBR
Versioni Alternative	Alternative Versions
Poliuretano basse temp.+OR NBR Basse temp.	Polyurethane Low temp.+OR NBR Low temp
Pressione fino a / Pressure up to	
25 MPa	
Velocità fino a / Speed up to	
0.5 m/s	
Temperatura / Temperature	
-35°C +100°C	-45°C +110°C PN 522
Cilindri per applicazioni pesanti / Heavy duty applications	
-35°C +100°C PB 546	
Applicazioni	Applications
Cilindri speciali Cilindri per leggera e medie applicazioni	Special Cylinders Cylinders for Light and Medium duty applications





Rod Seal design guidelines

	0mm < d ≤ 50mm	50mm < d ≤ 100mm	100mm < d ≤ 150mm	d ≥ 150mm
R	max 0.30 mm	max 0.60 mm	max 0.80 mm	max 1 mm
r	remove sharp edges			
A	1 mm	2 mm	3 mm	3 mm < A ≤ 5 mm

Operating pressure to determinate Maximum Gap Allowance

G	Profile Dimension	> 16 MPa	> 26 MPa
	≤ 5	0.50 mm	0.40 mm
> 5.0 - 7.5	0.55 mm	0.45 mm	
> 7.5 - 12.5	0.60 mm	0.50 mm	
15	0.65 mm	0.55 mm	

PART NR	DIMENSIONI SEDI / Housing dimensions			
	d	D	H	OR
GIP 0400	40,00	55,10	6,30	328
GIP 0450	45,00	60,10	6,30	329
GIP 0500	50,00	65,10	6,30	331
GIP 0550	55,00	70,10	6,30	332
GIP 0600	60,00	75,10	6,30	334
GIP 0630	63,00	78,00	6,30	335
GIP 0650	65,00	80,10	6,30	335
GIP 0700	70,00	85,10	6,30	337
GIP 0750	75,00	90,10	6,30	339
GIP 0800	80,00	95,10	6,30	340
GIP 0850	85,00	100,10	6,30	342
GIP 0900	90,00	105,10	6,30	343
GIP 0950	95,00	110,10	6,30	345
GIP 1000	100,00	115,10	6,30	346
GIP 1100	110,00	125,10	6,30	350
GIP 1200	120,00	135,10	6,30	353
GIP 1250	125,00	140,10	6,30	354
GIP 1300	130,00	145,10	6,30	356
GIP 1400	140,00	155,10	6,30	359
GIP 1500	150,00	165,10	6,30	361
GIP 1600	160,00	175,10	6,30	363
GIP 1700	170,00	185,10	6,30	365
GIP 1800	180,00	195,10	6,30	366
GIP 1900	190,00	205,10	6,30	368
GIP 2000	200,00	220,50	8,10	445