



K37 is a two piece single acting rod seal which consists of a reinforced cotton fabric and nitrile rubber vulcanized together forming an integral sealing element and one thermoplastic back-up ring.

PRODUCT ADVANTAGES

- Functions well even with poor surfaces
- Reinforced cotton fabric base prevents the seal from extrusion
- Good sealing effect at low pressures
- Improved sealing gap due to the active back-up ring

APPLICATION

Mining equipment, after market, mobile hydraulics, presses and standard cylinders.

MATERIAL	CODE	
NBR	80 SHORE A	NB8001
COTTON FABRIC NBR		NB8008
POM		PM9901

OPERATING CONDITIONS

MEDIA	Mineral oils (DIN 51524)	HFA and HFB	HFC
TEMPERATURE	-30°C +105°C	+5°C +60°C	-30°C +60°C
PRESSURE	≤400 Bar	≤400 Bar	≤400 Bar
SPEED	≤0.5 m/sec	≤0.5 m/sec	≤0.5 m/sec

Note: The above data are maximum values and cannot be used at the same time.

SURFACE ROUGHNESS		Ra	Rmax
Sliding Surface	∅d	≤0.4 μm	≤3.2 μm
Groove Base	∅D	≤1.8 μm	≤6.3 μm
Groove Flanks	B	≤3.2 μm	≤16 μm

Note: It is recommended to have 50% to 90% of the working surface material contact area value.

INSTALLATION

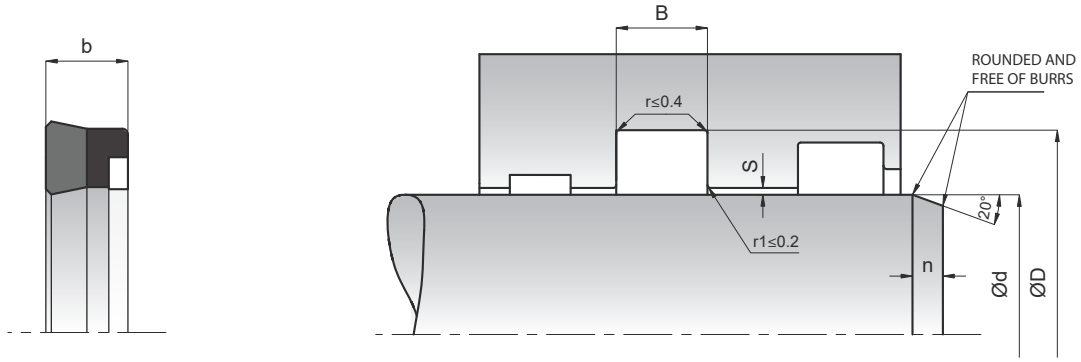
K37 is to be assembled into open grooves. It is very important that the assembly tools must be of soft material and have no sharp edges. Before installation all individual parts of the seal must be oiled with system oil.

NOTES

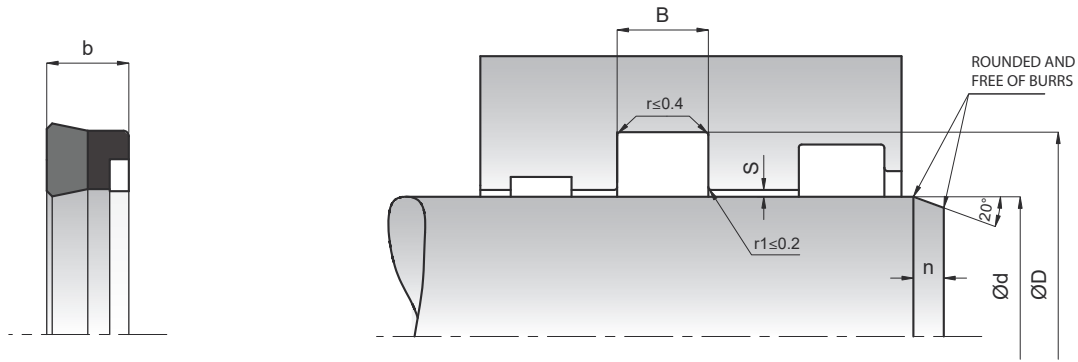
The permissible sealing gap values of K37 rod seal is given in the below table.

PERMISSIBLE SEALING GAP	
Pressure (Bar)	Smax (mm)
150	0.4
250	0.3
400	0.2

Note: The largest sealing gap value occurring on the non-pressurized side of the seal does have a vital importance for the function of the seal and in this respect it is quite important to use the S value lower than the above indicated numbers.



KASTAŞ NO	d (f8)	D (H9)	B (-0/+0.2)	b	n
K37-006	6	14	6.5	6.2	5
K37-012	12	23	7.5	7.2	5
K37-015	15	27	7	6.7	5
K37-016	16	28	7.5	7.2	5
K37-018	18	26	6.3	6	5
K37-018/1	18	28	6.3	6	5
K37-018/2	18	30	7.5	7.2	5
K37-020	20	30	8	7.7	5
K37-020/1	20	27	6	5.7	5
K37-020/2	20	28	6.3	6	5
K37-020/3	20	28	7	6.7	5
K37-020/4	20	30	8.5	8.2	5
K37-022	22	32	7.5	7.2	5
K37-022/1	22	29	5	4.7	5
K37-022/2	22	30	7	6.7	5
K37-022/3	22	32	10	9.7	5
K37-022/4	22	34	9.5	9.2	5
K37-022/5	22	35	10	9.7	5
K37-025	25	38	9.5	9.2	5
K37-025/1	25	33	6	5.7	5
K37-025/2	25	35	8	7.7	5
K37-025/3	25	33	6.4	6.1	5
K37-025/4	25	35	9	8.7	5
K37-025/5	25	38	10	9.7	5
K37-025/6	25.4	38.1	10	9.7	5
K37-028	28	38	8	7.7	5
K37-028/1	28	41	9.5	9.2	5
K37-028/2	28	36	6.5	6.2	5
K37-028/3	28	40	9.5	9.2	5
K37-028/4	28	41	10	9.7	5
K37-028/5	28.57	39.68	9.25	8.95	5
K37-030	30	40	10.5	10.2	5
K37-030/1	30	38	6.5	6.2	5
K37-030/2	30	40	7	6.7	5
K37-030/3	30	40	7.5	7.2	5
K37-030/4	30	45	9	8.7	5
K37-030/5	30	50	14.5	14.2	5
K37-031	31.75	47.62	11.6	11.3	5
K37-032	32	40	9	8.7	5
K37-032/1	32	42	11	10.7	5
K37-032/2	32	45	10	9.7	5
K37-034	32.92	50.8	8.5	8.2	5
K37-035	35	45	10.5	10.2	5
K37-035/1	35	50	10.5	10.2	5
K37-035/2	35	45	10	9.7	5
K37-035/3	35	50	11.5	11.2	5
K37-035/4	35	43	6	5.7	5
K37-036	36	43	6.5	6.2	5
K37-036/1	36	44	6.4	6.1	5



KASTAŞ NO	d (f8)	D (H9)	B (-0/+0.2)	b	n
K37-036/2	36	46	8.5	8.2	5
K37-036/3	36	48	12	11.7	5
K37-036/4	36	48	9.5	9.2	5
K37-038	38	55	10.5	10.2	5
K37-038/1	38.1	50.8	10	9.7	5
K37-038/2	38.1	53.97	10.5	10.2	5
K37-040	40	50	10.5	10.2	5
K37-040/1	40	55	10.5	10.2	5
K37-040/2	40	50	11	10.7	5
K37-040/3	40	48	6.5	6.2	5
K37-040/4	40	55	11	10.7	5
K37-040/5	40	50	10	9.7	5
K37-040/6	40	50	8	7.7	5
K37-040/7	40	55	8	7.7	5
K37-040/8	40	60	14.5	14.2	5
K37-042	42	52	9	8.7	5
K37-044	44.45	53.97	7.14	6.84	5
K37-044/1	44.45	53.97	7.62	7.32	5
K37-044/2	44.45	60.32	11.6	11.3	5
K37-045	45	55	10.5	10.2	5
K37-045/1	45	60	10.5	10.2	5
K37-045/2	45	55	11	10.7	5
K37-045/3	45	55	8	7.7	5
K37-045/4	45	55	7.5	7.2	5
K37-045/5	45	57	10	9.7	5
K37-045/6	45	65	14.5	14.2	5
K37-050	50	65	10.5	10.2	5
K37-050/1	50	62	10	9.7	5
K37-050/2	50	60	10.5	10.2	5
K37-050/3	50	60	10	9.7	5
K37-050/4	50	65	11	10.7	5
K37-050/5	50	62	8	7.7	5
K37-050/7	50	60	7.5	7.2	5
K37-050/8	50	60	8	7.7	5
K37-050/9	50	70	14.5	14.2	5
K37-054	54	66	9.5	9.2	5
K37-055	55	65	10.5	10.2	5
K37-055/1	55	65	12	11.7	5
K37-055/2	55	65	11	10.7	5
K37-055/3	55	75	14	13.7	5
K37-055/4	55	65	8	7.7	5
K37-055/5	55	70	10.5	10.2	5
K37-055/6	55	75	14.5	14.2	5
K37-056	56	66	10.5	10.2	5
K37-056/1	56	71	10.5	10.2	5
K37-056/2	56	76	14.5	14.2	5
K37-057	57.15	69.85	10	9.7	5
K37-060	60	70	10.5	10.2	5
K37-060/1	60	70	12.5	12.2	5

KASTAŞ NO	d (f8)	D (H9)	B (-0/+0.2)	b	n
K37-060/2	60	80	14	13.7	5
K37-060/11	60	80	14.5	14.2	5
K37-060/3	60	75	13	12.7	5
K37-060/4	60	75	12.5	12.2	5
K37-060/5	60	69.5	7	6.7	5
K37-060/6	60	70	11	10.7	5
K37-060/7	60	70	8	7.7	5
K37-060/8	60	70	13	12.7	5
K37-060/9	60	72	10	9.7	5
K37-063/1	63	75	11	10.7	5
K37-063/2	63	78	12.5	12.2	5
K37-063/3	63.5	83	14.5	14.2	5
K37-063/4	63.5	82.55	14.28	13.98	5
K37-063/5	63.5	76.2	8.5	8.2	5
K37-063/6	63.5	77.78	11.5	11.2	5
K37-065	65	80	12.5	12.2	5
K37-065/1	65	75	12.5	12.2	5
K37-065/2	65	75	13.5	13.2	5
K37-065/3	65	77	9.6	9.3	5
K37-065/4	65	80	11.5	11.2	5
K37-070	70	80	12.5	12.2	5
K37-070/1	70	85	12	11.7	5
K37-070/2	70	85	12.5	12.2	5
K37-070/3	70	90	14	13.7	5
K37-070/4	70	80	8	7.7	5
K37-070/5	70	80	13	12.7	5
K37-070/6	70	82	10.5	10.2	5
K37-070/7	70	84	12.5	12.2	5
K37-075	75	85	12.5	12.2	5
K37-075/1	75	90	11	10.7	5
K37-075/2	75	85	11	10.7	5
K37-075/3	75	90	11.5	11.2	5
K37-075/4	75	90	12.8	12.5	5
K37-075/5	75	95	14.5	14.2	5
K37-080	80	90	12.5	12.2	5
K37-080/1	80	100	12.5	12.2	5
K37-080/2	80	100	14	13.7	5
K37-080/3	80	95	12	11.7	5
K37-080/4	80	93	14.5	14.2	5
K37-080/5	80	96	10.5	10.2	5
K37-080/6	80	100	12	11.7	5
K37-080/7	80	100	14.5	14.2	5
K37-080/8	80	95	10	9.7	5
K37-085	85	100	12.5	12.2	5
K37-085/1	85	95	8	7.7	5
K37-085/2	85	100	12	11.7	5
K37-085/3	85	105	14.5	14.2	5
K37-088	88.9	114.3	19.5	19.2	5
K37-090	90	105	12.5	12.2	5
K37-090/1	90	110	12.5	12.2	5
K37-090/2	90	105	9.5	9.2	5
K37-090/4	90	106.5	10.8	10.5	5
K37-095	95	106.2	11	10.7	5
K37-095/1	95	112	12	11.7	5
K37-095/2	95	115	14.5	14.2	5
K37-100	100	115	12.5	12.2	7
K37-100/1	100	120	14	13.7	7
K37-100/2	100	125	19	18.7	7
K37-100/3	100	120	24.5	24.2	7
K37-100/4	100	115	11.5	11.2	7
K37-100/5	100	120	12	11.7	7
K37-100/6	100	120	14.5	14.2	7
K37-105	105	115	11	10.7	7
K37-105/1	105	125	12.5	12.2	7
K37-110	110	130	12.5	12.2	7

