

SERIE 231 VPR



Flat Poppet Valve which avoids fluid leakages during the connection and disconnection.

• Materials

Carbon Steel *EN -10277-3 / AISI 316L*

Seals: NBR. Viton or EPDM

Back-up-ring: PTFE

Balls: *AISI 1010/1015*

Springs: *Carbon Steel DIN 17233/84(B)*

• Working temperature (Seals)

	NBR	Viton	EPDM
+	+100°C	+200°C	+150°C
-	-30°C	-10°C	-40°C

• **Applications:** Designed for Oil hydraulic Applications according to European Directive 97.23.EC

• **Sectors:** Industrial, Building Machinery

• Equivalence

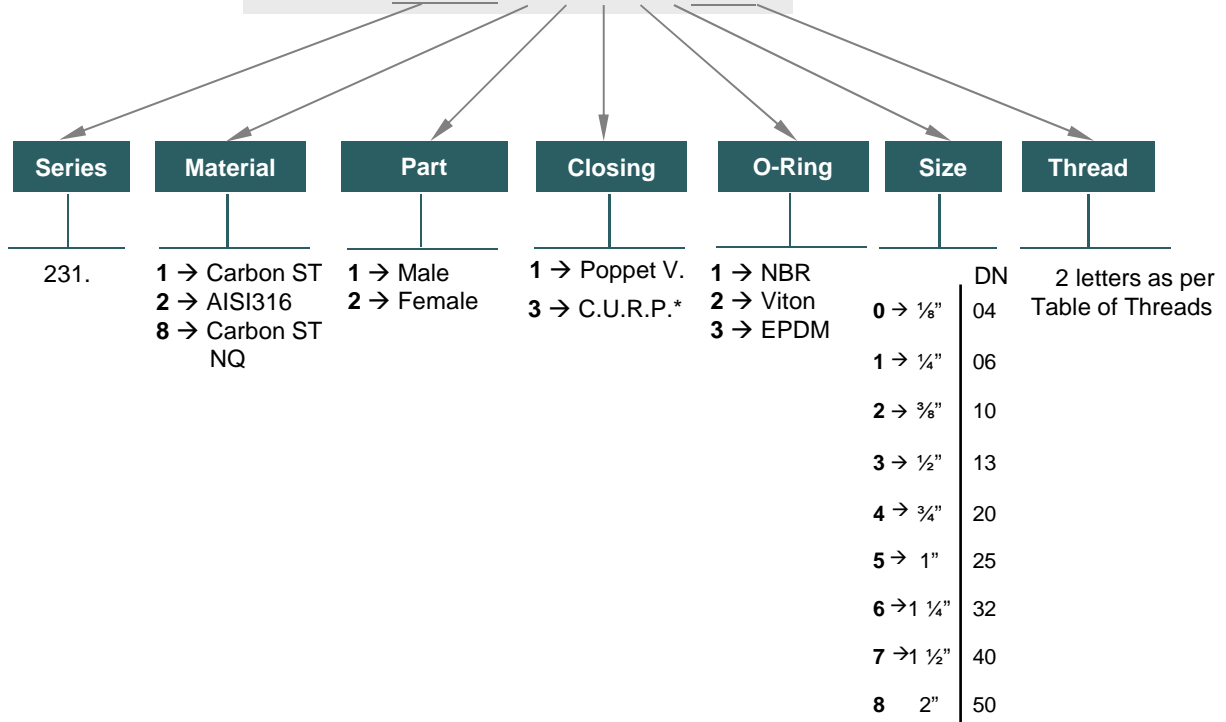
Stucchi VEP



MODEL STRUCTURE

Example;

231.12313 AD

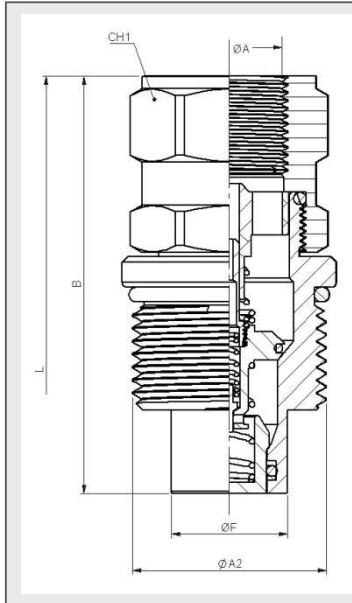


* C.U.R.P. IS AVAILABLE IN MALE PART ONLY

231-1



SERIE 231 VPR

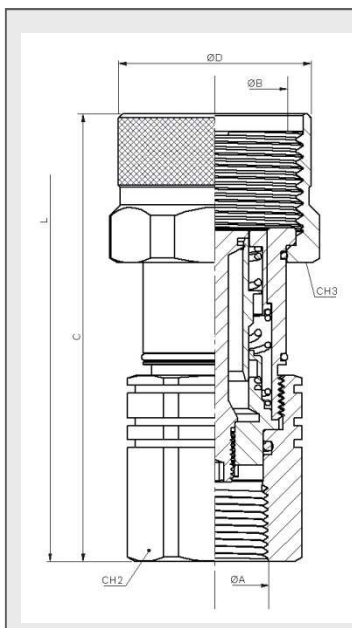


MALE

DN	CH1	B	ØA	ØA2	ØF	L
04	19	70	1/8" BSP	M20x2	11,65	90
07	22	75	1/4" BSP	M30x2	12,20	110
09	30	73	3/8" BSP	M33x2	19,80	129
13	36	85,25	1/2" BSP	M40x3	24,50	155
15	41	97	3/4" BSP	M45x3	27,05	165
17	41	110	1" BSP	M50x3	30,00	188
21	55	125	1 1/4" BSP	M58x3	36,00	110
30	65	135	1 1/2" BSP	M80x4	57,00	255
45	90	220	2" BSP	M130x6	72,95	385

STANDARD MODELS

DN	ØA	MACHO	HEMBRA	
04	1/8" BSP	231.11110AA	231.12110AA	600Bar
		231.11110BA	231.12110BA	
07	1/4" BSP	231.11111AB	231.12111AB	600Bar
		231.11111BB	231.12111BB	
09	3/8" BSP	231.11312AC	231.12112AC	550Bar
		231.11312BC	231.12112BC	
	1/2" BSP	231.11312AD	231.12112AD	
		231.11312BD	231.12112BD	
	1/2" NPTF	231.11312GF	231.12112GF	
		231.11312GH	231.12112GH	
13	3/4" BSP	231.11313AD	231.12113AD	500Bar
		231.11313BD	231.12113BD	
	3/4" NPTF	231.11313AE	231.12113AE	
		231.11313BE	231.12113BE	
1 1/16" -12ORB	231.11313GH	231.12113GH	470Bar	
	231.11313GK	231.12113GK		
15	3/4" BSP	231.11314AE	231.12114AE	400Bar
		231.11314BE	231.12114BE	
17	1" BSP	231.11314GK	231.12114GK	350Bar
		231.11315AF	231.12115AF	
21	1 1/4" NPTF	231.11315BF	231.12115BF	400Bar
		231.11315GO	231.12115GO	
30	1 1/2" BSP	231.11316AG	231.12116AG	400Bar
		231.11316BG	231.12116BG	
45	2" BSP	231.11317AH	231.12117AH	400Bar
		231.11317BH	231.12117BH	
		231.11318AI	231.12118AI	350Bar



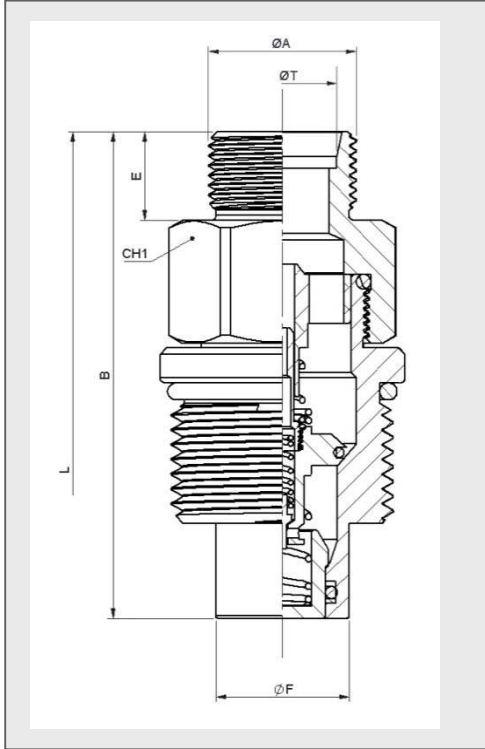
FEMALE

DN	C	CH2	CH3	ØA	ØB	ØD	L
04	50	17	30	1/8" BSP	M20x2	29,5	90
07	55	27	36	1/4" BSP	M30x2	26,5	110
09	96	30	38	3/8" BSP	M33x2	37,50	129
13	109	41	46	1/2" BSP	M40x3	45,50	155
15	115	41	50	3/4" BSP	M45x3	49,75	165
17	190	46	55	1" BSP	M50x3	54,50	188
21	107	55	65	1 1/4" BSP	M58x3	64	110
30	135	65	85	1 1/2" BSP	M80x4	84	255
45	225	90	-	2" BSP	M130x6	149	385


SERIE 231

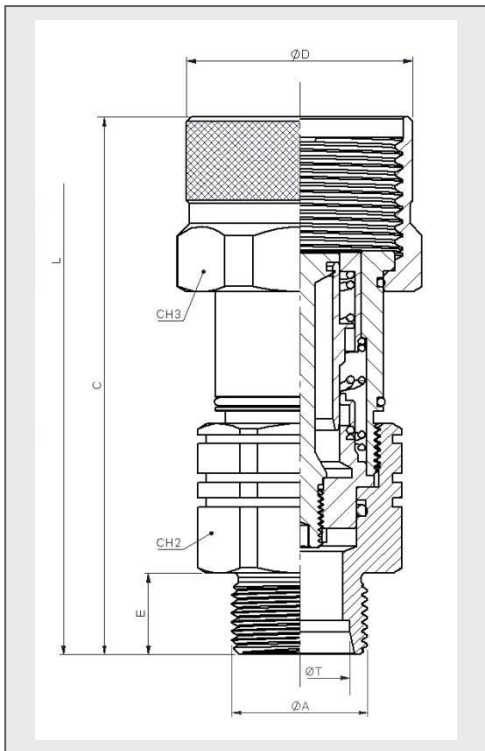
VPR

DIN2353




STANDARD MODELS (MALE)

DN	ØA	ØT	REF.		CH1	B	ØF	E	L
07	M12x1,5	6L	231.11111JB	600Bar	22	55	16,2	12	106,2
	M14x1,5	8L	231.11111JC			54		11	104,2
	3/8" BSP M.	*	231.11312AN			62,5		12	124,4
09	M14x1,5	8L	231.11312JC	550Bar	30	61,5	19,79	11	122,2
	M16x1,5	10L	231.11312JD			62,5		12	124,4
	M16x1,5	8S	231.11312KD						
	M18x1,5	10S	231.11312KE						
	M20x1,5	12S	231.11312KF						
	13	M14x1,5	8L			231.11313JC		550Bar	36
M16x1,5		10L	231.11313JD	74	12	136,9			
M18x1,5		12L	231.11313JE						
M22x1,5		15L	231.11313JG						
M26x1,5		18L	231.11313JI						
15		M18x1,5	10S	231.11313KE	550Bar	41	74		
	M20x1,5	12S	231.11313KF	80			18	151,5	
	M22x1,5	14S	231.11313KG						
	M24x1,5	16S	231.11313KH						
	M18x1,5	12I	231.11314JE						
	17	M22x1,5	15L	231.11314JG			500Bar	46	81
M26x1,5		18L	231.11314JI	86	18	163,2			
M30x2		22L	231.11314JJ						
M22x1,5		14S	231.11314KG						
M24x1,5		16S	231.11314KH						
17		M30x2	20S	231.11314KJ	500Bar	41			88
	M26x1,5	18L	231.11315JI	81			18	157,2	
	M30x2	22L	231.11315JJ						
	M36x2	28L	231.11315JK						
	M45x2	35L	231.11315JM						
	17	M30x2	20S	231.11315KJ			500Bar	46	86
M36x2		25S	231.11315KK	94	20	153,2			
M42x2		30S	231.11315KL						
M52x2		38S	231.11315KN						
M30x2		22L	231.11315JJ						



STANDARD MODELS (FEMALE)

DN	ØA	ØT	REF.		CH2	C	ØD	E	L
07	M12x1,5	6L	231.12111JB	600Bar	27	62	27,5	12	106,2
	M14x1,5	8L	231.12111JC			63		11	104,2
	3/8" BSP M.	*	231.12112AN			77,5		12	124,4
09	M14x1,5	8L	231.12112JC	550Bar	30	76,5	33	11	122,2
	M16x1,5	10L	231.12112JD			77,5		12	124,4
	M16x1,5	8S	231.12112KD						
	M18x1,5	10S	231.12112KE						
	M20x1,5	12S	231.12112KF						
	13	M14x1,5	8L			231.12113JC		550Bar	41
M16x1,5		10L	231.12113JD	80,5	12	136,9			
M18x1,5		12L	231.12113JE						
M22x1,5		15L	231.12113JG						
M26x1,5		18L	231.12113JI						
15		M18x1,5	10S	231.12113KE	550Bar	41	83,1		
	M20x1,5	12S	231.12113KF	89,1			18	151,5	
	M22x1,5	14S	231.12113KG						
	M24x1,5	16S	231.12113KH						
	M18x1,5	12I	231.12114JE						
	17	M22x1,5	15L	231.12114JG			500Bar	46	83,1
M26x1,5		18L	231.12114JI	94	20	153,2			
M30x2		22L	231.12114JJ						
M22x1,5		14S	231.12114KG						
M24x1,5		16S	231.12114KH						
17		M30x2	20S	231.12114KJ	500Bar	41			89,1
	M26x1,5	18L	231.12115JI	92			18	157,2	
	M30x2	22L	231.12115JJ						
	M36x2	28L	231.12115JK						
	M45x2	35L	231.12115JM						
	17	M30x2	20S	231.12115KJ			500Bar	55	92
M36x2		25S	231.12115KK	96	18	155,2			
M42x2		30S	231.12115KL						
M52x2		38S	231.12115KN						
M30x2		22L	231.12115JJ						

231-3



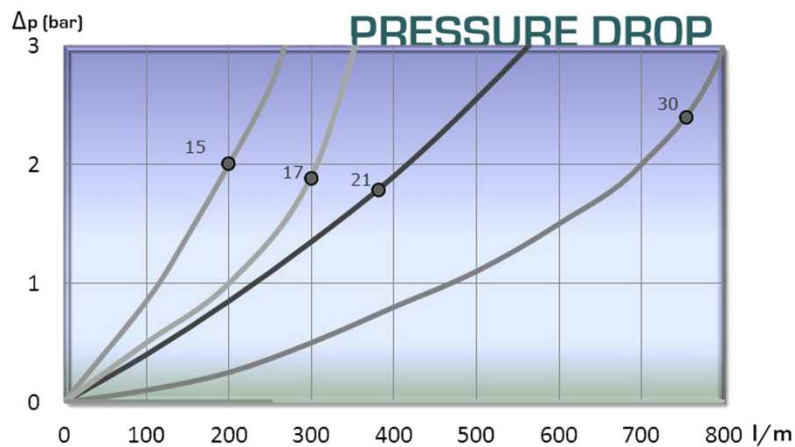
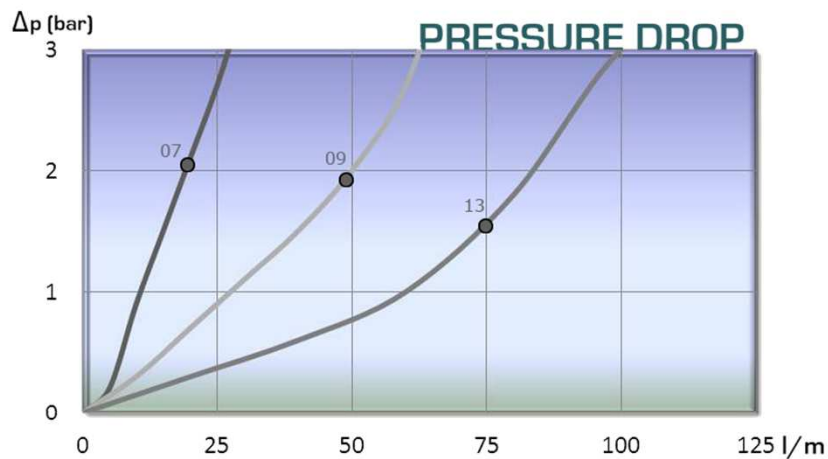
SERIE 231 VPR



TECHNICAL DATA

Carbon Steel and Stainless Steel AISI316

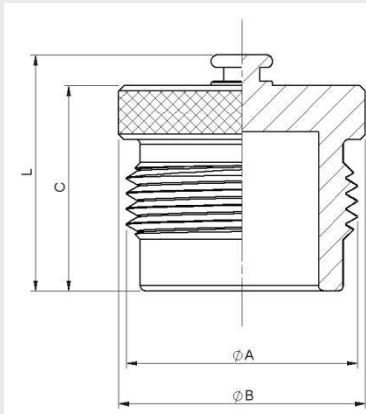
DN	Flow Rate	Min. Burst Pressure (Bar)			Max. Working Pressure			Spillage Max.
		Male	Female	Coupled	Male	Female	Coupled	
04	5 l/m	1500	1300	1500	600	430	600	0,011
07	25 l/m	1500	1260	1500	600	420	600	0,012
09	45 l/m	1400	1000	1400	550	330	550	0,040
13	90 l/m	1400	1000	1400	550	330	550	0,025
15	150 l/m	1400	1000	1400	550	330	550	0,033
17	200 l/m	1250	1000	1250	500	330	500	0,018
21	350 l/m	1200	800	1200	470	300	470	0,060
30	750 l/m	1100	800	1100	400	270	400	0,200
45	1000 l/m	1100	800	1100	350	270	350	0,350



231-4

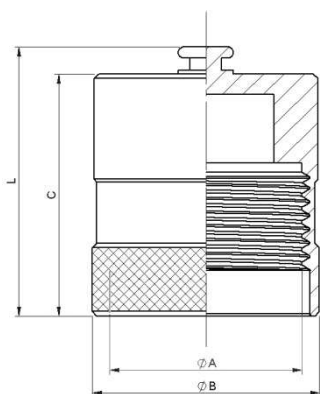


SERIE 231 VPR



PLUG

DN	REF.	$\varnothing A$	$\varnothing B$	C	L
04	231.6300AA	M20x2	25	28	34
07	231.6301AA	M30x2	35	30	36
09	231.6302AA	M33x2	38	32	38
13	231.6303AA	M40x3	46	35	41
15	231.6304AA	M45x3	50	39	45
17	231.6305AA	M50x3	55	50	56
21	231.6306AA	M58x3	65	55	61
30	231.6307AA	M80x4	90	65	71
45	231.6308AA	M130x6	145	85	91

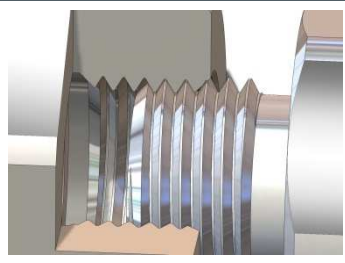


CAP

DN	REF.	$\varnothing A$	$\varnothing B$	C	L
04	231.6400AA	M20x2	25	34	40
07	231.6401AA	M30x2	35	45	61
09	231.6402AA	M33x2	38	50	56
13	231.6403AA	M40x3	46	52	58
15	231.6404AA	M45x3	50	55	61
17	231.6405AA	M50x3	55	65	71
21	231.6406AA	M58x3	65	65	71
30	231.6407AA	M80x4	90	80	86
45	231.6408AA	M130x6	145	130	136

231-5





SERIE 999 THREADS



BSP DIN 3852-2 Form A		
THREAD	FEMALE	MALE
1/8"	AA	AL
1/4"	AB	AM
3/8"	AC	AN
1/2"	AD	AO
3/4"	AE	AP
1"	AF	AQ
1 1/4"	AG	AR
1 1/2"	AH	AS
2"	AI	AT
2 1/2"	AJ	AU
3"	AK	AV

NPTF ANSI B1.20.3		
THREAD	FEMALE	MALE
1/8"	BA	BL
1/4"	BB	BM
3/8"	BC	BN
1/2"	BD	BO
3/4"	BE	BP
1"	BF	BQ
1 1/4"	BG	BR
1 1/2"	BH	BS
2"	BI	BT
2 1/2"	BJ	BU
3"	BK	BV

BSPT DIN 3852-2 Form C		
THREAD	FEMALE	MALE
1/8"	DA	DL
1/4"	DB	DM
3/8"	DC	DN
1/2"	DD	DO
3/4"	DE	DP
1"	DF	DQ
1 1/4"	DG	DR
1 1/2"	DH	DS
2"	DI	DT

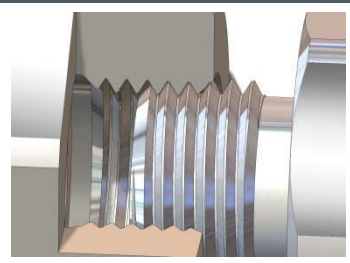
Metric DIN 3852-1 Form B		
THREAD	FEMALE	MALE
M8x1	NA	PA
M10x1	NC	PC
M12x1,5	NE	PE
M14x1,5	NF	PF
M16x1,5	NG	PG
M18x1,5	NH	PH
M20x1,5	NK	PK
M22x1,5	NM	PM
M26x1,5	NO	PO
M27x2	NQ	PQ
M33x2	NT	PT
M42x2	NU	PU
M48x2	NV	PV

Metric ISO 6149-2 (ORB)		
THREAD	FEMALE	MALE
M8x1	EA	OA
M10x1	EC	OC
M12x1,5	EE	OE
M14x1,5	EF	OF
M16x1,5	EG	OG
M18x1,5	EH	OH
M20x1,5	EK	OK
M22x1,5	EM	OM
M27x1,5	EO	OO
M33x2	EQ	OQ
M42x2	ET	OT
M48x2	EU	OU
M60x2	EV	OV

Metric ISO 9974-2 (Tipo E)		
THREAD	FEMALE	MALE
M8x1	NA	QA
M10x1	NC	QC
M12x1,5	NE	QE
M14x1,5	NF	QF
M16x1,5	NG	QG
M18x1,5	NH	QH
M20x1,5	NK	QK
M22x1,5	NM	QM
M26x1,5	NO	QO
M27x2	NQ	QQ
M33x2	NT	QT
M42x2	NU	QU
M48x2	NV	QV

DIN2353			
ROSCA	L	ROSCA	S
M12x1,5 6L	JB	M16x1,5 8S	KD
M14x1,5 8L	JC	M18x1,5 10S	KE
M16x1,5 10L	JD	M20x1,5 12S	KF
M18x1,5 12L	JE	M22x1,5 14S	KG
M22x1,5 15L	JG	M24x1,5 16S	KH
M26x1,5 18L	JI	M30x1,5 20S	KJ
M30x2 22L	JJ	M36x2 25S	KK
M36x2 28L	JK	M42x2 30S	KL
M45x2 35L	JM	M52x2 38S	KN

DIN2353 Bulkhead			
ROSCA	L	ROSCA	S
M12x1,5 6L	LB	M16x1,5 8S	MD
M14x1,5 8L	LC	M18x1,5 10S	ME
M16x1,5 10L	LD	M20x1,5 12S	MF
M18x1,5 12L	LE	M22x1,5 14S	MG
M22x1,5 15L	LG	M24x1,5 16S	MH
M26x1,5 18L	LI	M30x2 20S	MJ
M30x2 22L	LJ	M36x2 25S	MK
M36x2 28L	LK	M42x2 30S	ML
M45x2 35L	LM	M52x2 38S	MN



SERIE 999 THREADS



ISO 8434-2 (JIC)

THREAD	FEMALE	MALE
3/8" -24UNF	UA	YA
7/16"-20UNF	UB	YB
1/2" - 20UNF	UC	YC
9/16"-18UNF	UD	YD
11/16"-16UN	UE	YE
3/4"-16UNF	UF	YF
13/16"-16UN	UG	YG
7/8"-14UNF	UH	YH
1 1/16"-12UN	UK	YK
1 3/16"-12UN	UM	YM
1 5/16"-12UN	UO	YO
1 7/16"-12UN	UQ	YQ
1 5/8"-12UN	UT	YT
1 11/16"-12UN	UU	YU
1 7/8"-12UN	UV	YV

ISO 8434-2 (Bulkhead JIC)

THREAD	FEMALE	MALE
3/8" -24UNF	-	YAP
7/16"-20UNF	-	YBP
1/2" - 20UNF	-	YCP
9/16"-18UNF	-	YDP
11/16"-16UN	-	YEP
3/4"-16UNF	-	YFP
13/16"-16UN	-	YGP
7/8"-14UNF	-	YHP
1 1/16"-12UN	-	YKP
1 3/16"-12UN	-	YMP
1 5/16"-12UN	-	YOP
1 7/16"-12UN	-	YQP
1 5/8"-12UN	-	YTP
1 11/16"-12UN	-	YUP
1 7/8"-12UN	-	YVP

UNF SAE J1926 (ORB)

THREAD	FEMALE SAE J1926-1	MALE SAE J1926-2
3/8" 24UNF	GA	HA
7/16"-20UNF	GB	HB
1/2" - 20UNF	GC	HC
9/16"-18UNF	GD	HD
11/16"-16UN	GE	HE
3/4"-16UNF	GF	HF
13/16"-16UN	GG	HG
7/8"-14UNF	GH	HH
1 1/16"-12UN	GK	HK
1 3/16"-12UN	GM	HM
1 5/16"-12UN	GO	HO
1 7/16"-12UN	GQ	HQ
1 5/8"-12UN	GT	HT
1 11/16"-12UN	GU	HU
1 7/8"-12UN	GV	HV

ISO 8434-3 (ORFS)

THREAD	FEMALE	MALE
3/8" -24UNF	VA	ZA
7/16"-20UNF	VB	ZB
1/2" - 20UNF	VC	ZC
9/16"-18UNF	VD	ZD
11/16"-16UN	VE	ZE
3/4"-16UNF	VF	ZF
13/16"-16UN	VG	ZG
7/8"-14UNF	VH	ZH
1 1/16"-12UN	VK	ZK
1 3/16"-12UN	VM	ZM
1 5/16"-12UN	VO	ZO
1 7/16"-12UN	VQ	ZQ
1 5/8"-12UN	VT	ZT
1 11/16"-12UN	VU	ZU
1 7/8"-12UN	VV	ZV

ISO 8434-3 (ORFS Bulkhead)

THREAD	FEMALE	MALE
3/8" -24UNF	-	ZAP
7/16"-20UNF	-	ZBP
1/2" - 20UNF	-	ZCP
9/16"-18UNF	-	ZDP
11/16"-16UN	-	ZEP
3/4"-16UNF	-	ZFP
13/16"-16UN	-	ZGP
7/8"-14UNF	-	ZHP
1 1/16"-12UN	-	ZKP
1 3/16"-12UN	-	ZMP
1 5/16"-12UN	-	ZOP
1 7/16"-12UN	-	ZQP
1 5/8"-12UN	-	ZTP
1 11/16"-12UN	-	ZUP
1 7/8"-12UN	-	ZVP

BSP Bulkhead

THREAD	MALE
1/8"	CL
1/4"	CM
3/8"	CN
1/2"	CO
3/4"	CP
1"	CQ
1 1/4"	CR
1 1/2"	CS
2"	CT

SPECIALS

THREAD	
KFA	M20x1,5 Ø13,5
KFB	M20x1,5 Cone 60°
HFA	3/4"-16M. Without 37°
JDA	M16x1,5 Bulkhead M20x1,5
GFA	3/4"-16UNF cylinder
JGA	M22x1,5 Prolonged
JGB	M22x1,5 15L Long. Hex 35mm
LGA	M22 Bulkhead Prolonged