



# AGE

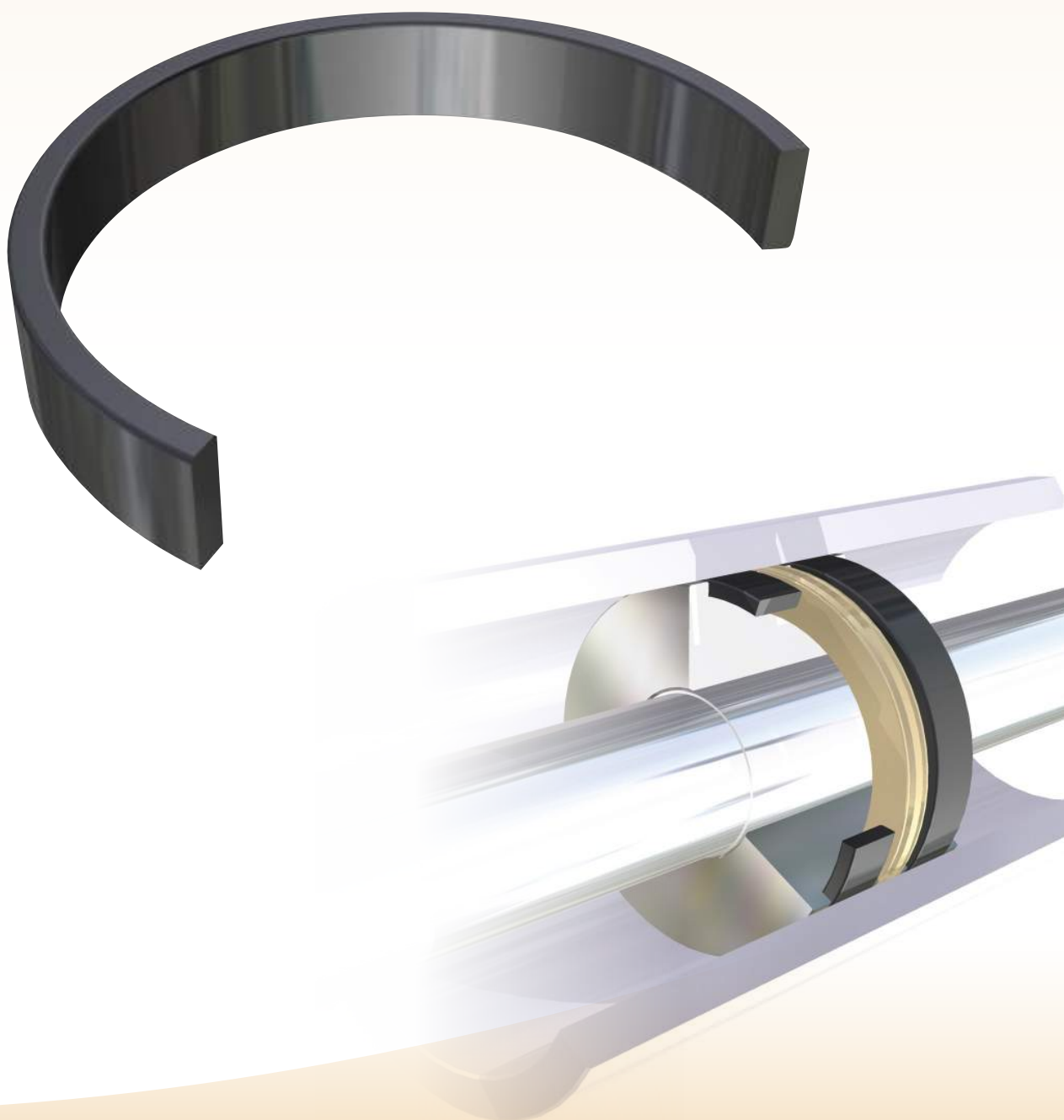
ANELLI di guida  
guide **RINGS**

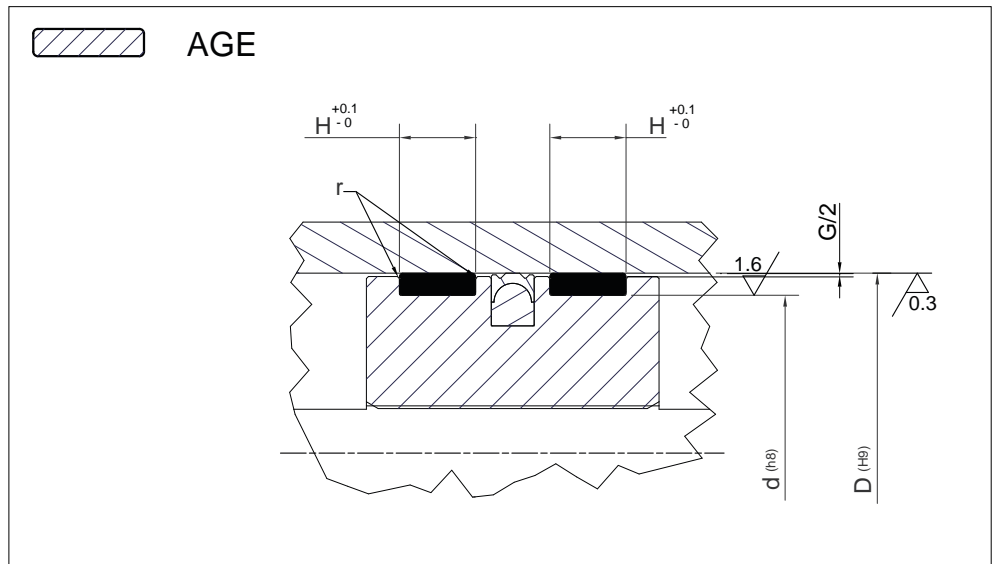
**TECNOTEX**

<b>Versione standard</b>	<b>Standard version</b>
POM	POM
<b>Carico Radiale STATICO fino a / STATIC Radial Load up to</b>	
40 N/mm <sup>2</sup>	
<b>Carico Radiale DINAMICO fino a / DYNAMIC Radial Load up to</b>	
20 N/mm <sup>2</sup>	
<b>Velocità fino a / Speed up to</b>	
0.8 m/s	
<b>Temperatura / Temperature</b>	
-40°C +110°C	
<b>Applicazioni</b>	<b>Applications</b>
Cilindri Idraulici Cilindri Telescopici Cilindri per agricoltura Carrelli Elevatori	Standard cylinders Telescopic cylinders Agricultural cylinders Forklift

# AGE

226÷229





**Wear Ring design guidelines**

<b>r</b>	$r \leq 0.2$ mm		
<b>G</b>	<b>D <math>\leq 25</math>mm</b>	<b>D <math>\geq 25</math>mm to D100mm</b>	<b>&gt;100mm</b>
	0.60mm	0.80mm	1.30mm

**Roughness- Ra**

<b>Sliding Surface</b>	$Ra < 0.3$ $\mu$ m
<b>Groove Base</b>	$Ra < 1.6$ $\mu$ m
<b>Groove Flanks</b>	$Ra < 1.6$ $\mu$ m

PART NR	DIMENSIONI SEDI / Housing dimensions		
	D	d	H
<b>AGE 16/2</b>	16,00	12,00	9,70
<b>AGE 20/2</b>	20,00	16,00	9,70
<b>AGE 25/2</b>	25,00	21,00	9,70
<b>AGE 30/2</b>	30,00	26,00	9,70
<b>AGE 32/2</b>	32,00	28,00	9,70
<b>AGE 35/2</b>	35,00	31,00	9,70
<b>AGE 40/2</b>	40,00	36,00	9,70
<b>AGE 45/2</b>	45,00	41,00	9,70
<b>AGE 50</b>	50,00	44,00	9,70
<b>AGE 55</b>	55,00	49,00	12,80
<b>AGE 60</b>	60,00	54,00	12,80
<b>AGE 63</b>	63,00	57,00	12,80
<b>AGE 65</b>	65,00	59,00	12,80
<b>AGE 70</b>	70,00	64,00	12,80
<b>AGE 74</b>	74,00	68,00	12,80
<b>AGE 75</b>	75,00	69,00	12,80
<b>AGE 80</b>	80,00	74,00	12,80
<b>AGE 85</b>	85,00	79,00	12,80
<b>AGE 90</b>	90,00	84,00	12,80
<b>AGE 93</b>	93,00	87,00	12,80
<b>AGE 95</b>	95,00	89,00	12,80
<b>AGE 100</b>	100,00	94,00	12,80
<b>AGE 105</b>	105,00	99,00	12,80
<b>AGE 110</b>	110,00	104,00	12,80
<b>AGE 112</b>	112,00	106,00	12,70
<b>AGE 115</b>	115,00	109,00	12,80
<b>AGE 120</b>	120,00	114,00	12,80

PART NR	DIMENSIONI SEDI / Housing dimensions		
	D	d	H
AGE 125	125,00	119,00	12,80
AGE 130	130,00	124,00	12,80
AGE 135	135,00	129,00	12,80
AGE 140	140,00	134,00	12,80
AGE 145	145,00	139,00	12,80
AGE 150	150,00	144,00	12,80
AGE 155	155,00	149,00	19,20
AGE 160	160,00	154,00	19,20
AGE 165	165,00	159,00	19,20
AGE 170	170,00	164,00	19,20
AGE 175	175,00	169,00	19,20
AGE 180	180,00	174,00	19,20
AGE 185	185,00	179,00	19,20
AGE 190	190,00	184,00	19,20
AGE 195	195,00	189,00	19,20
AGE 200	200,00	194,00	19,20
AGE 205	205,00	199,00	19,20
AGE 210	210,00	204,00	19,20
AGE 215	215,00	209,00	19,20
AGE 220	220,00	214,00	19,20
AGE 225	225,00	219,00	19,20
AGE 230	230,00	224,00	19,20
AGE 235	235,00	229,00	19,20
AGE 240	240,00	234,00	19,20
AGE 245	245,00	239,00	19,20
AGE 250	250,00	244,00	19,20
AGE 255	255,00	249,00	19,20
AGE 260	260,00	254,00	19,20
AGE 265	265,00	259,00	19,20
AGE 270	270,00	264,00	19,20
AGE 275	275,00	269,00	19,20
AGE 280	280,00	274,00	19,20
AGE 285	285,00	279,00	19,20
AGE 290	290,00	284,00	19,20
AGE 295	295,00	289,00	19,20
AGE 300	300,00	294,00	19,20

