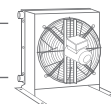


# AP 3/830 EMX

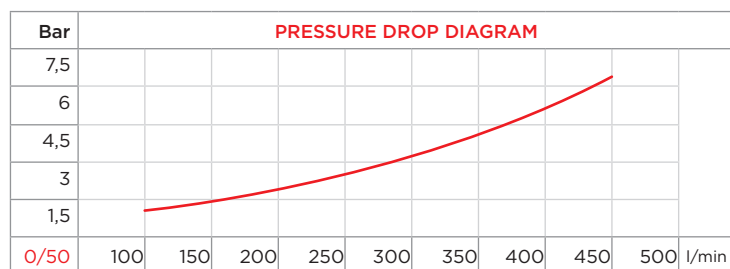
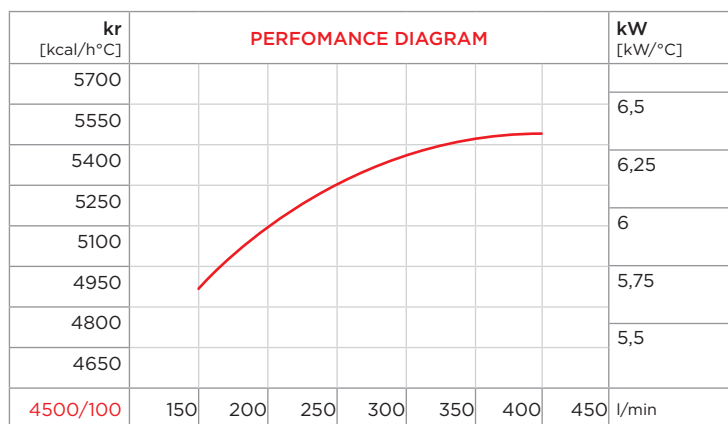


## PURCHASE CODES

AP 3/830 EMX three-phase 400V 50HZ	3RAP3/830EMX50
AP 3/830 EMX three-phase 460V 60HZ	3RAP3/830EMX60

## SPARE PARTS

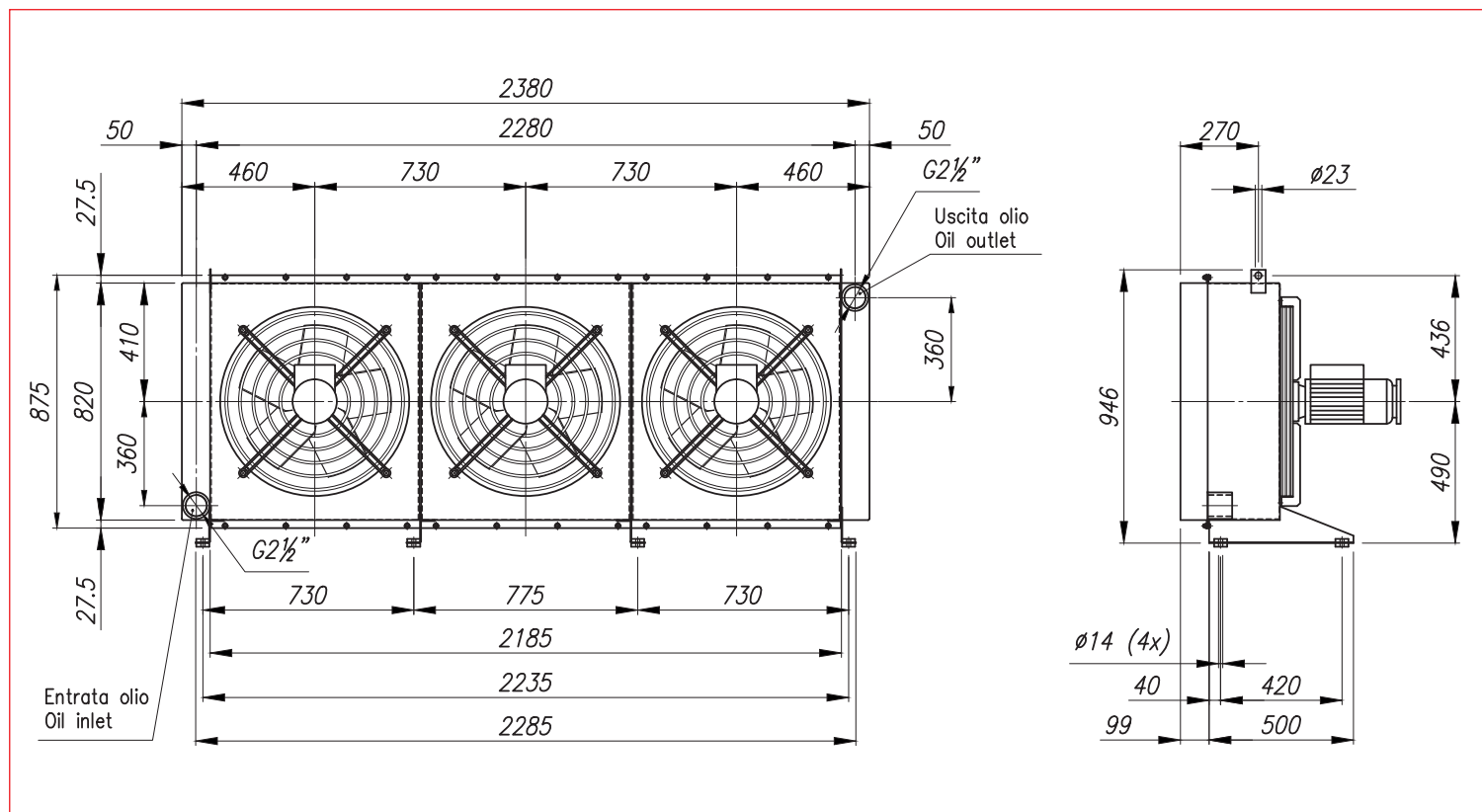
Cooling element	3RNL3/830A
Frame	3CNAP3/830EMX.1
Electric fan 400V 50Hz	1VNAP830EMX50
Electric fan 460V 60Hz	1VNAP830EMX60



**CORRECTION FACTOR**

cSt	22	30	46	68	100	150	220
f	0,6	1	1,5	2,3	3,5	5	7

- Dimensions and technical characteristics are not binding



CODE	OIL FLOW l/min	CAPACITY l	VOLT. V	FREQ. Hz	POWER W	CURRENT A	AIR FLOW m³/h	PROTECTION IP	NOISE LEV. dB(A)	WEIGHT kg	ø FAN mm	TEMP. °C
3RAP3/830EMX50	150-400	60	400	50	3x 1100	3x 2,58	2x 10000	56	90	360	560	-20/+40
3RAP3/830EMX60	150-400	60	460	60	3x 1100	3x 2,24	2x 10600	56	91	360	560	-20/+40