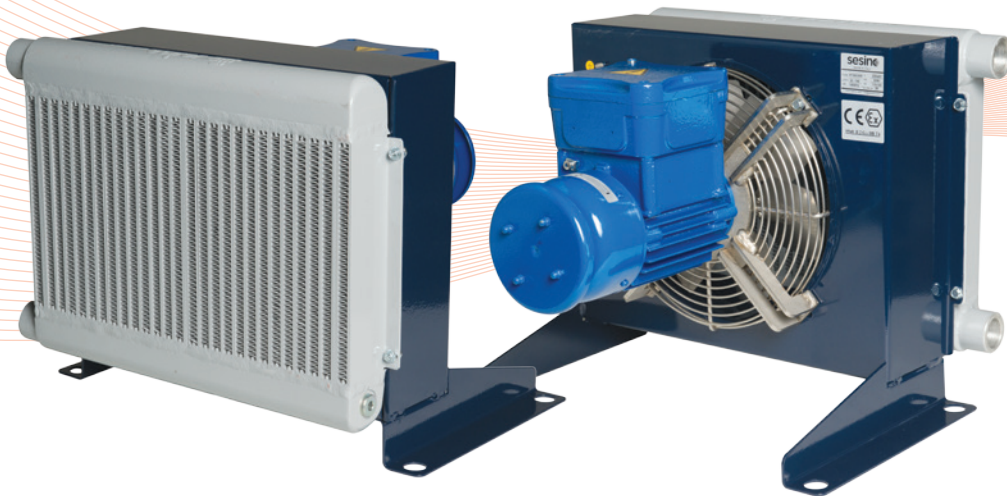
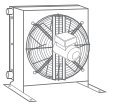


AP 300 2/EMX

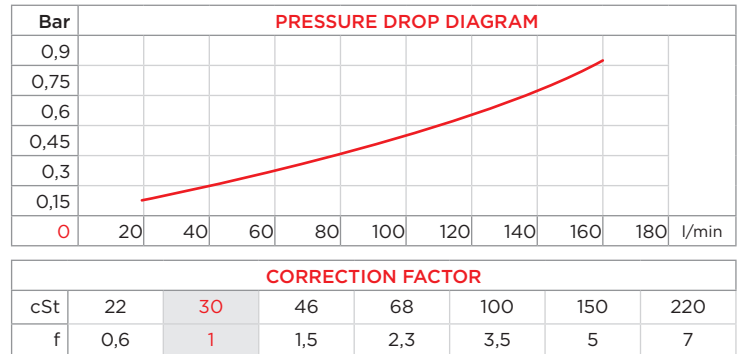
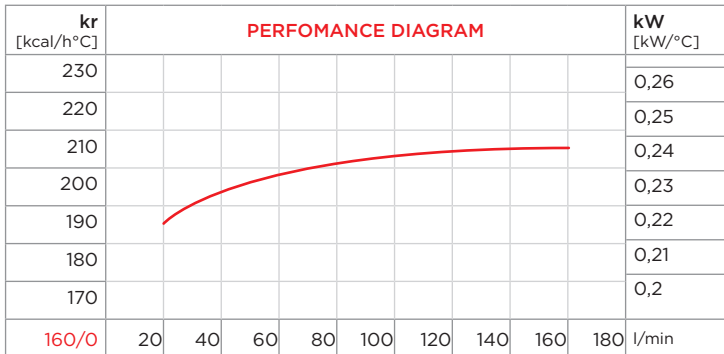


PURCHASE CODES

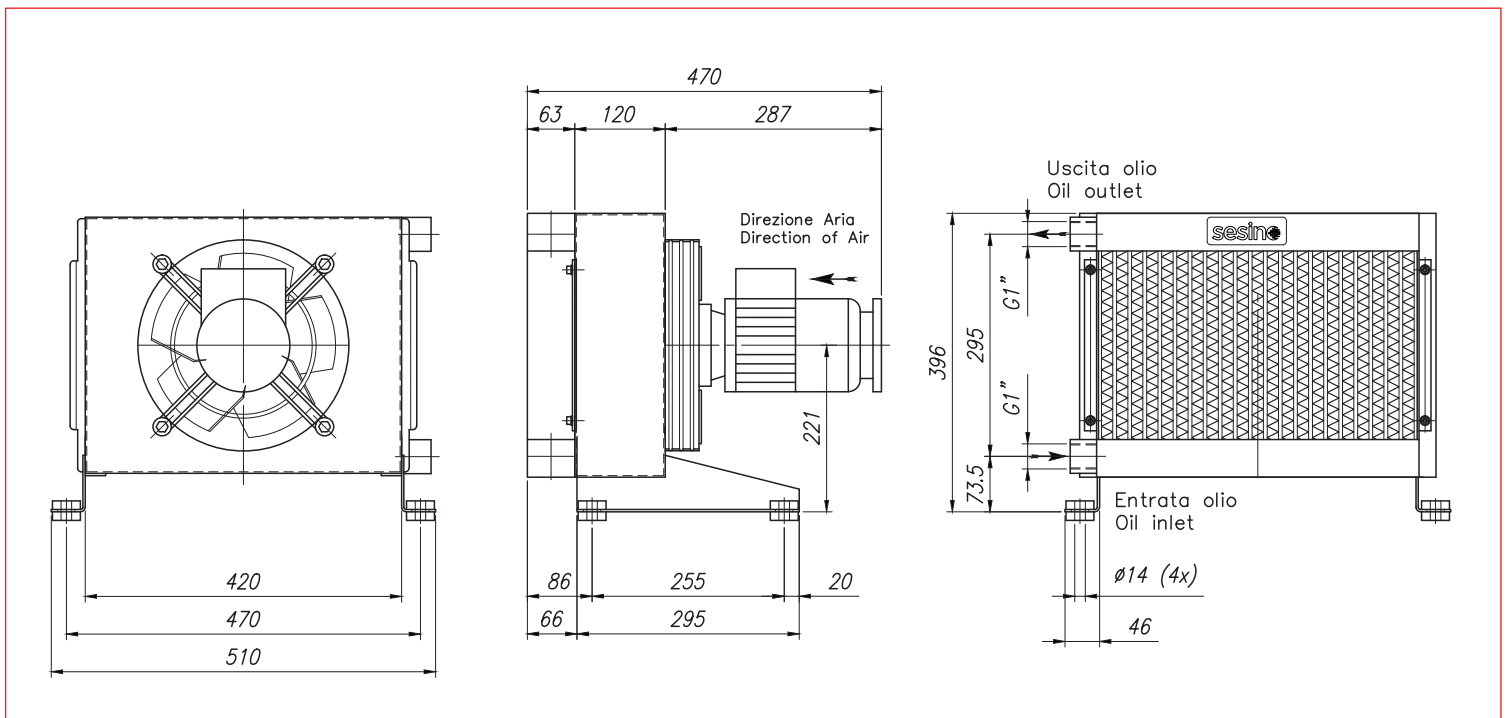
| | |
|---------------------------------------|--------------|
| AP 300/2 EMX three-phase 400V 50HZ | 3RAP302EMX50 |
| AP 300/2 EMX three-phase 460V 60HZ | 3RAP302EMX60 |

SPARE PARTS

| | |
|------------------------|---------------|
| Cooling element | 3RNL302A |
| Frame | 3CNAP302EMX.1 |
| Electric fan 400V 50Hz | 1VNAP300EMX50 |
| Electric fan 460V 60Hz | 1VNAP300EMX60 |



- Dimensions and technical characteristics are not binding



| CODE | OIL FLOW l/min | CAPACITY l | VOLT. V | FREQ. Hz | POWER W | CURRENT A | AIR FLOW m³/h | PROTECTION IP | NOISE LEV. dB(A) | WEIGHT kg | Ø FAN mm | TEMP. °C |
|--------------|-------------------|---------------|------------|-------------|------------|--------------|------------------|------------------|---------------------|--------------|-------------|-------------|
| 3RAP302EMX50 | 20-160 | 3,6 | 400 | 50 | 180 | 0,75 | 1700 | 56 | 80 | 35 | 250 | -20/+40 |
| 3RAP302EMX60 | 20-160 | 2 | 460 | 60 | 180 | 0,65 | 1800 | 56 | 82 | 35 | 250 | -20/+40 |