

# AP 430 2/EM

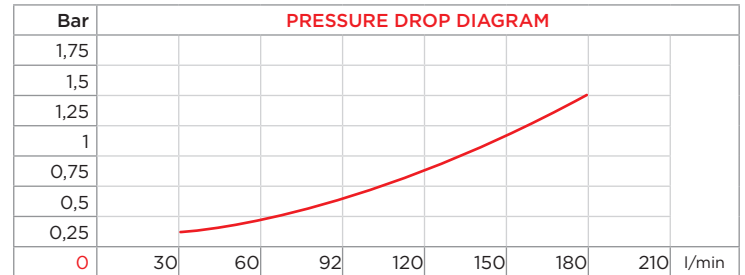
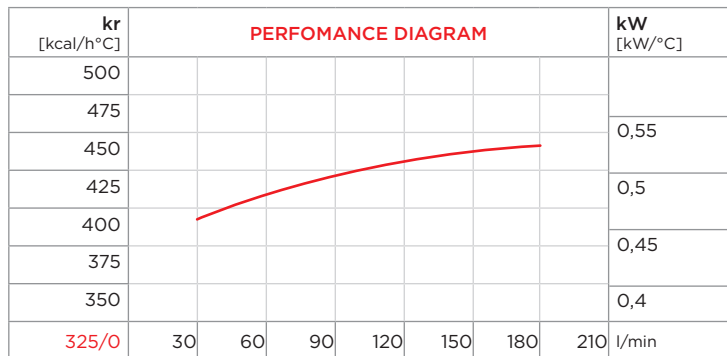


## PURCHASE CODES

AP 430/2 EM three-phase 400V 50HZ with thermo-switch	3RAP432EM50T247 3RAP432EM50T260
AP 430/2 EM three-phase 480V 60HZ with thermo-switch	3RAP432EM60T247 3RAP432EM60T260
AP 430/2 EM three-phase 400V 50HZ without thermo-switch	3RAP432EM50ST
AP 430/2 EM three-phase 480V 60HZ without thermo-switch	3RAP432EM60ST

## SPARE PARTS

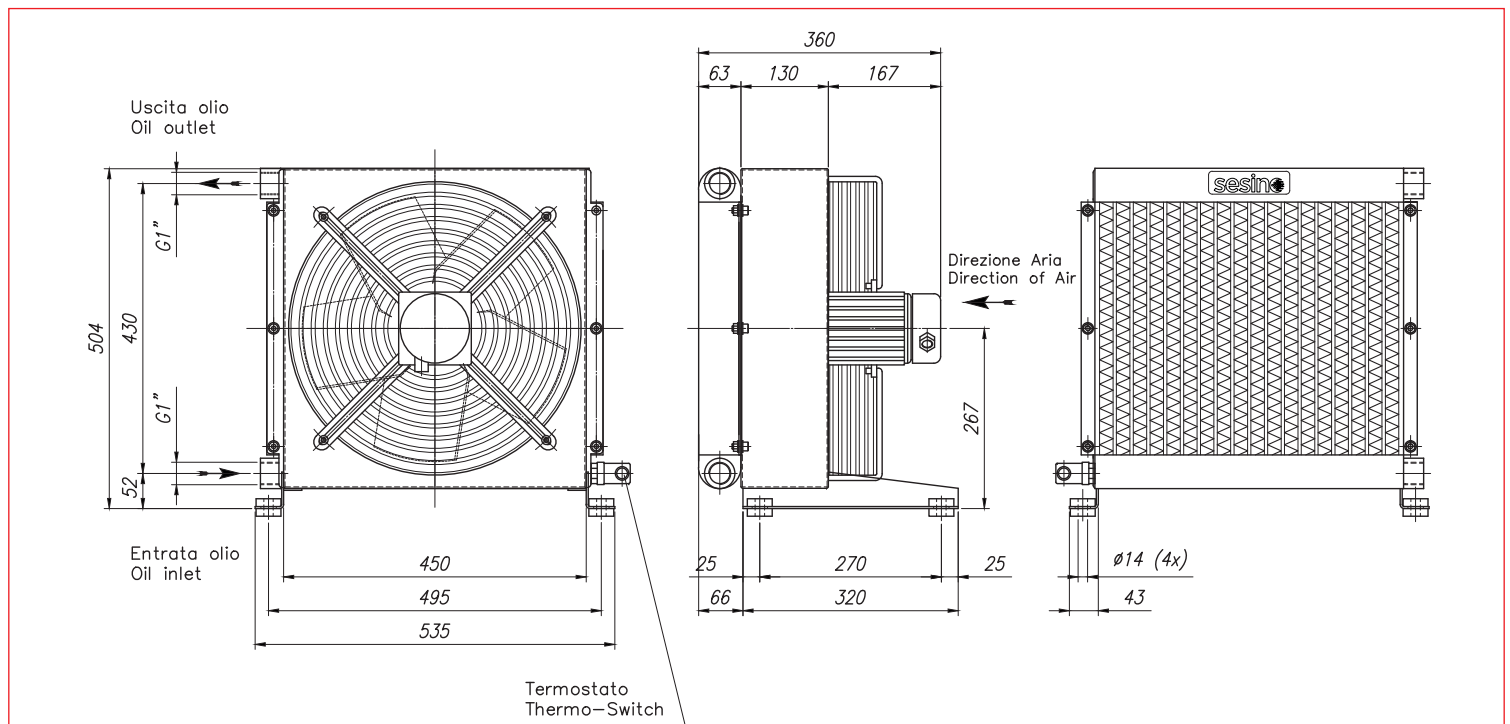
Cooling element	3RNL432A
Frame	3CNAP432EM.1
Electric fan 400V 50Hz	1VNAP432EM50
Electric fan 480V 60Hz	1VNAP432EM60
Thermo-switch 47-36	1TRM 47-36
Thermo-switch 60-49	1TRM 60-49



**CORRECTION FACTOR**

cSt	22	30	46	68	100	150	220
f	0,6	1	1,5	2,3	3,5	5	7

- Dimensions and technical characteristics are not binding



CODE	OIL FLOW l/min	CAPACITY l	VOLT. V	FREQ. Hz	POWER W	CURRENT A	AIR FLOW m³/h	PROTECTION IP	NOISE LEV. dB(A)	WEIGHT kg	ø FAN mm	TEMP. °C
3RAP432EM50ST	30-180	5,5	400	50	196	0,72	3500	56	72	28	400	-20/+40
3RAP432EM60ST	30-180	5,5	480	60	261	0,72	3700	56	72	28	400	-20/+40