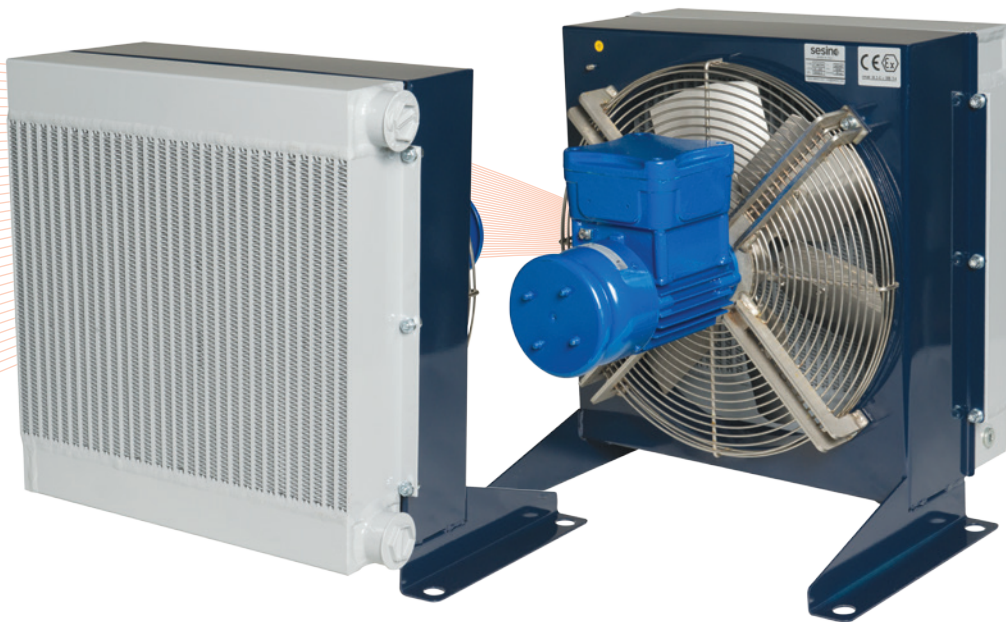
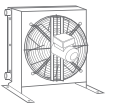


AP 494 EMX

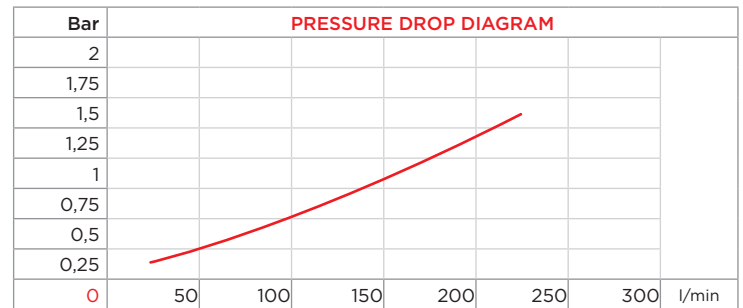
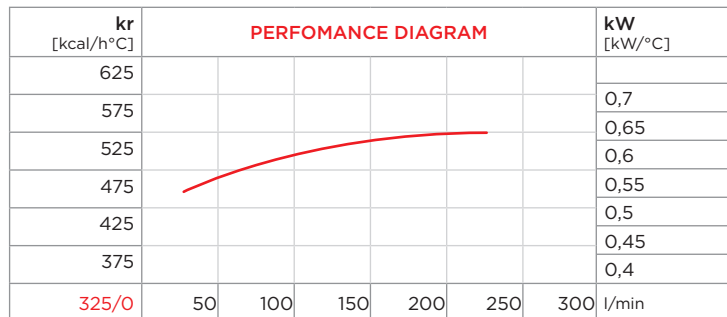


PURCHASE CODES

AP 494 EMX three-phase 400V 50Hz	3RAP494EMX50
AP 494 EMX three-phase 460V 60Hz	3RAP494EMX60

SPARE PARTS

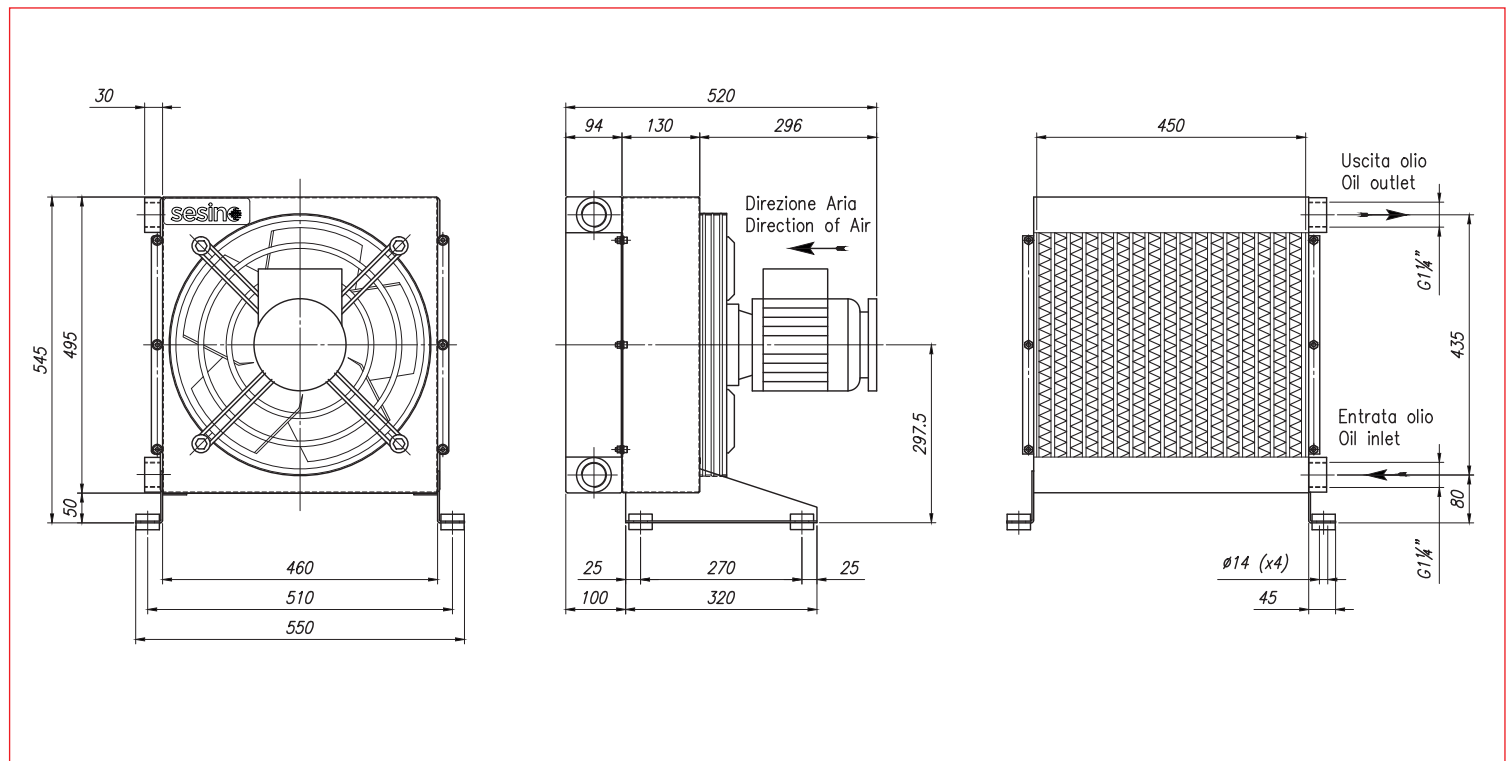
Cooling element	3RNL494A
Frame	3CNAP494EMX.1
Electric fan 400V 50Hz	1VNAP432EMX50
Electric fan 460V 60Hz	1VNAP432EMX60



CORRECTION FACTOR

cSt	22	30	46	68	100	150	220
f	0,6	1	1,5	2,3	3,5	5	7

- Dimensions and technical characteristics are not binding



CODE	OIL FLOW l/min	CAPACITY l	VOLT. V	FREQ. Hz	POWER W	CURRENT A	AIR FLOW m³/h	PROTECTION IP	NOISE LEV. dB(A)	WEIGHT kg	ø FAN mm	TEMP. °C
3RAP494EMX50	30-240	8	400	50	180	0,67	3300	56	80	50	400	-20/+40
3RAP494EMX60	30-240	8	460	60	180	0,59	3500	56	82	30	400	-20/+40