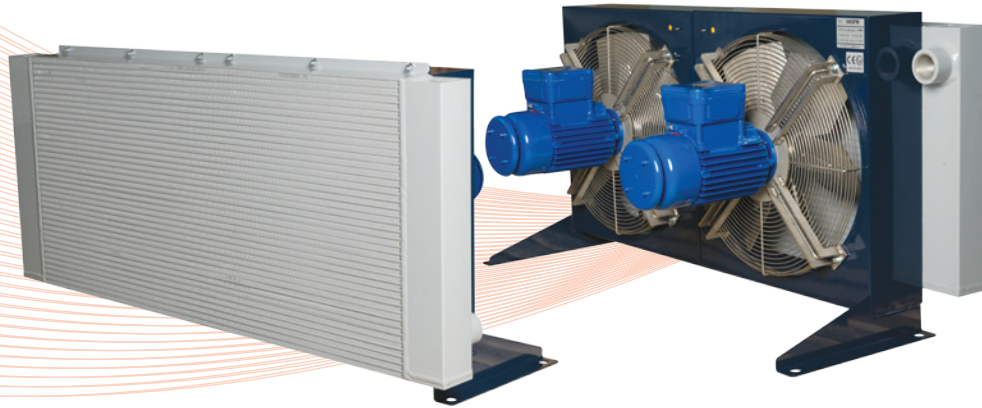
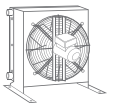


AP 2/680 EMX

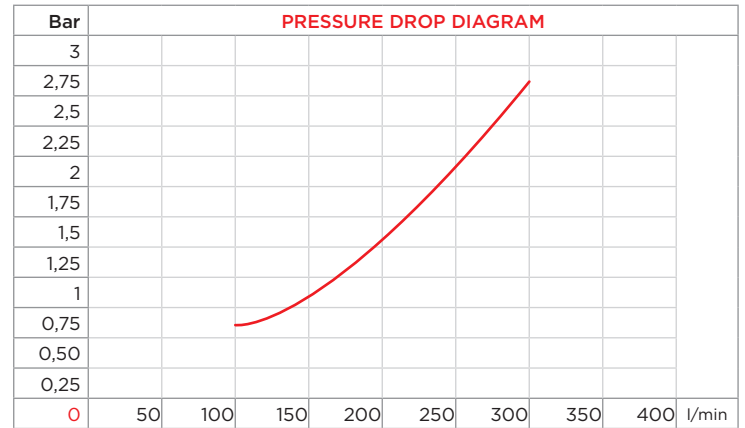
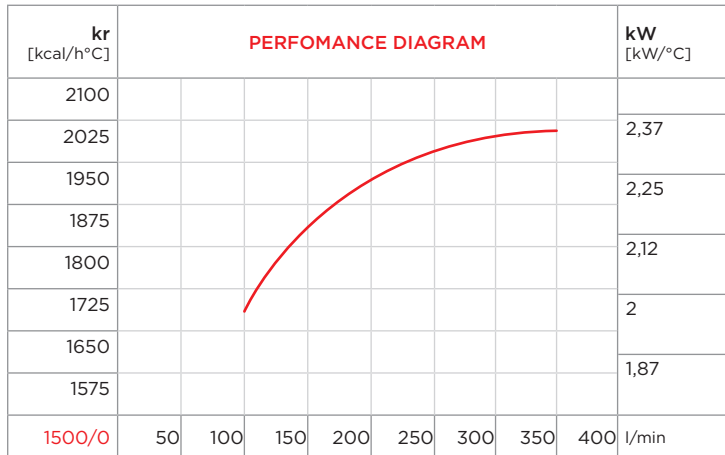


PURCHASE CODES

AP 2/680 EMX three-phase 400V 50HZ	3RAP2/680EMX50
AP 2/680 EMX three-phase 460V 60HZ	3RAP2/680EMX60

SPARE PARTS

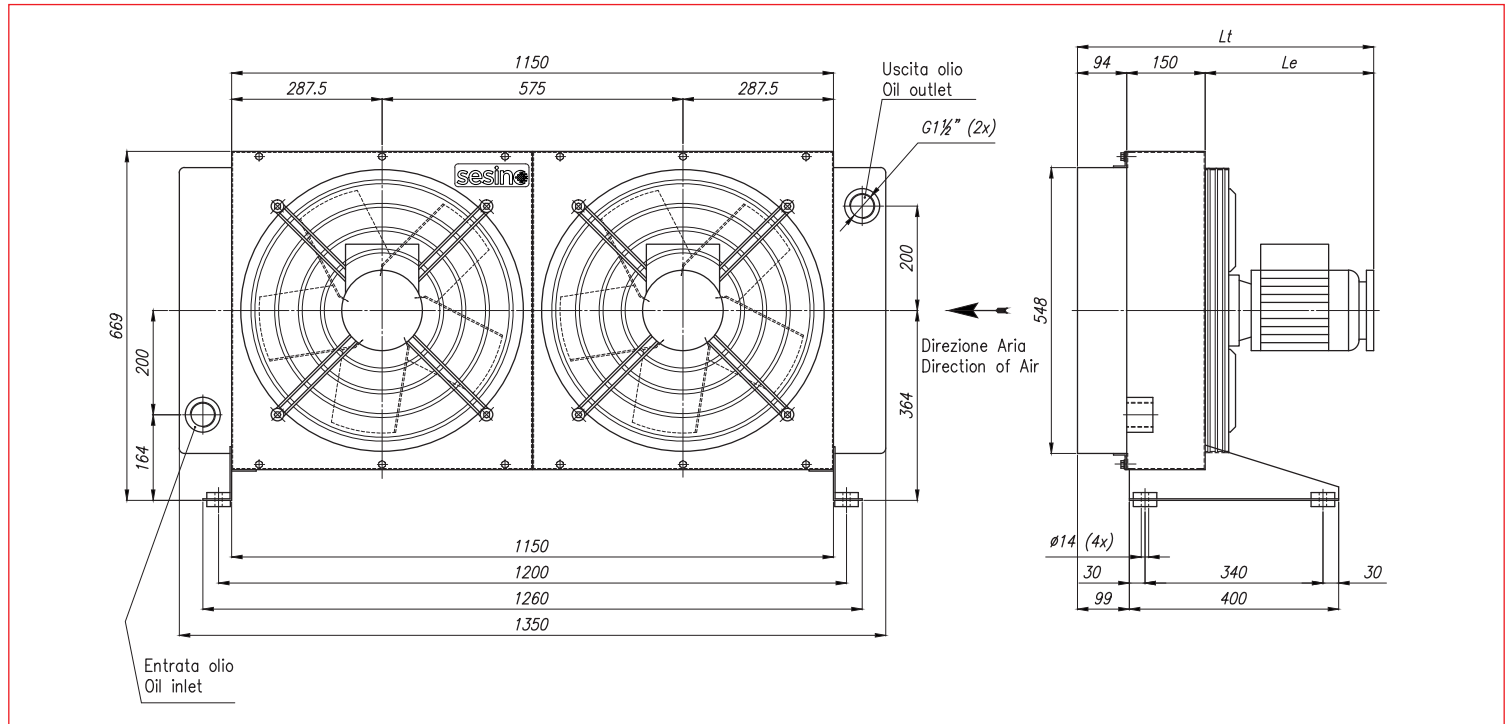
Cooling element	3RNL2/680A
Frame	3CNAP2/680EMX.1
Electric fan 400V 50Hz	1VNAP680EMX50
Electric fan 460V 60Hz	1VNAP680EMX60



CORRECTION FACTOR

cSt	22	30	46	68	100	150	220
f	0,6	1	1,5	2,3	3,5	5	7

- Dimensions and technical characteristics are not binding



CODE	OIL FLOW	CAPACITY	VOLT.	FREQ.	POWER	CURRENT	AIR FLOW	PROTECTION	NOISE LEV.	WEIGHT	ø FAN	TEMP.	DIMENSION	
	l/min	l	V	Hz	W	A	m ³ /h	IP	dB(A)	kg	mm	°C	Le	Lt
3RAP2/680EMX50	100-300	28	400	50	2x 550	2x 1,6	2x 7500	56	87	185	500	-20/+40	322	566
3RAP2/680EMX60	100-300	28	460	60	2x 750	2x 1,79	2x 7900	56	87	185	500	-20/+40	364	608