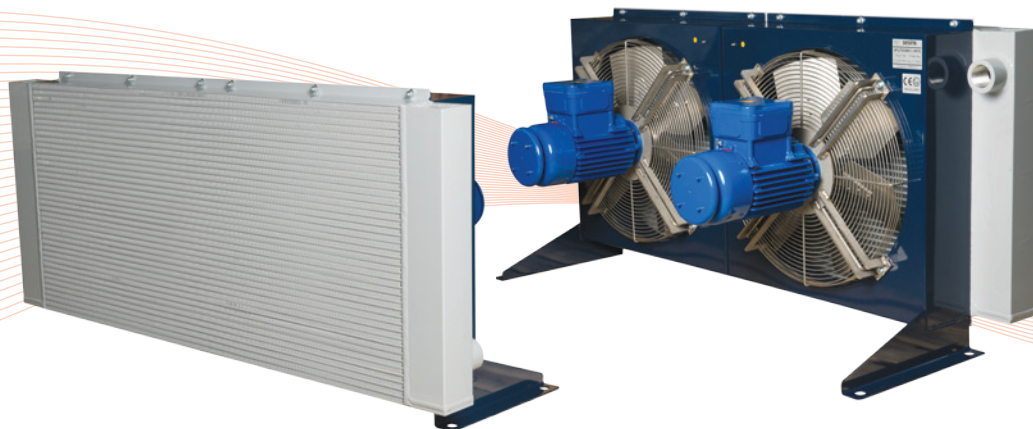
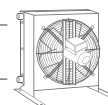


# AP 2/730 EMX

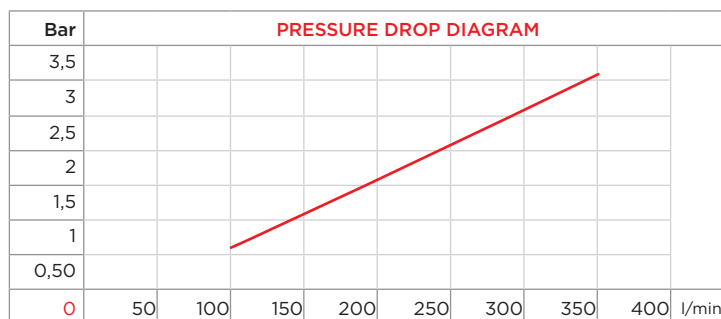
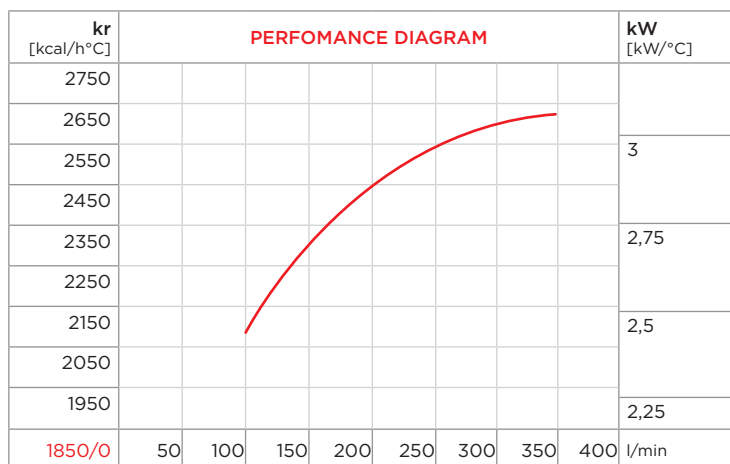


## PURCHASE CODES

AP 2/730 EMX three-phase 400V 50Hz	3RAP2/730EMX50
AP 2/730 EMX three-phase 460V 60Hz	3RAP2/730EMX60

## SPARE PARTS

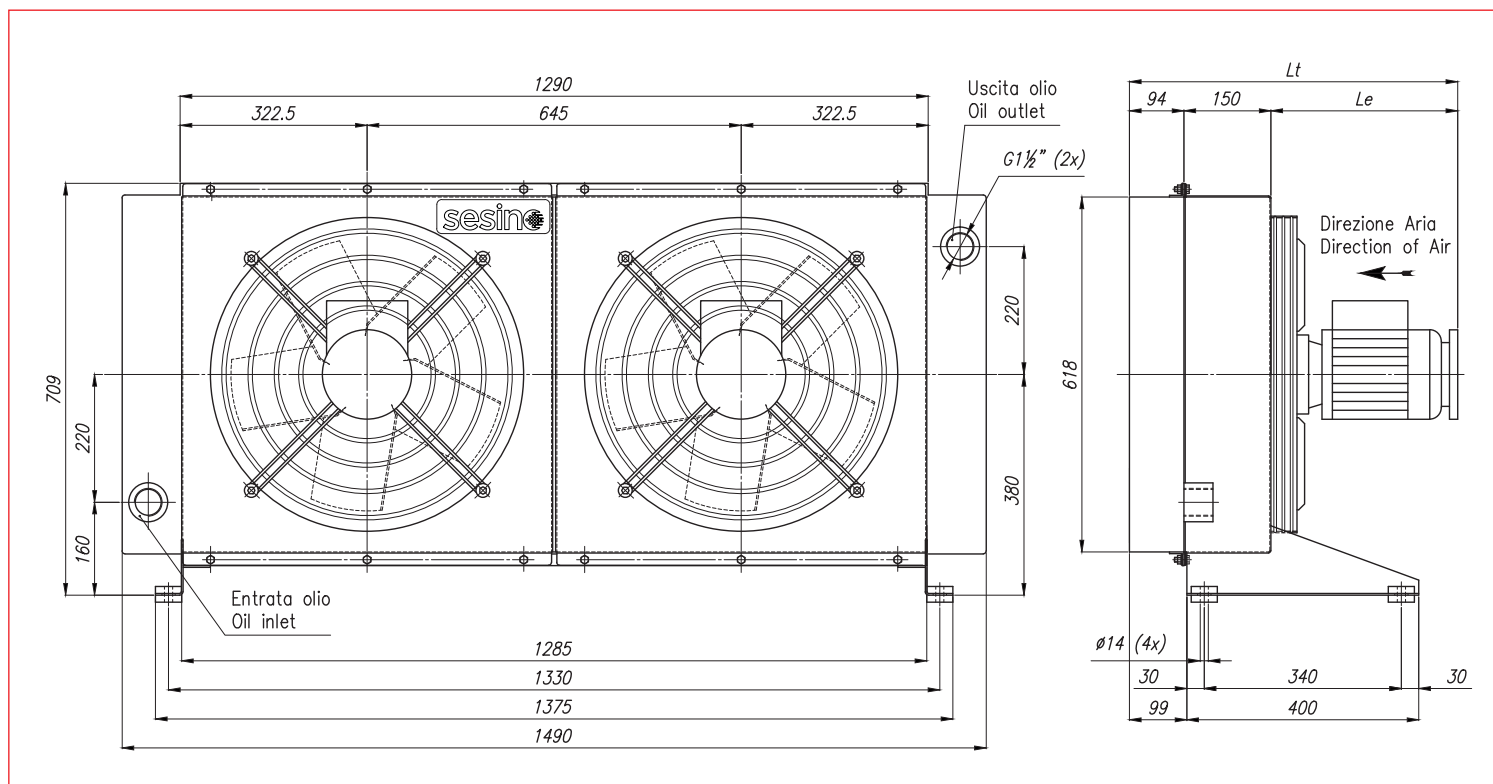
Cooling element	3RNL2/730A
Frame	3CNAP2/730EMX.1
Electric fan 400V 50Hz	1VNAP680EMX50
Electric fan 460V 60Hz	1VNAP680EMX60



**CORRECTION FACTOR**

cSt	22	30	46	68	100	150	220
f	0,6	1	1,5	2,3	3,5	5	7

- Dimensions and technical characteristics are not binding



CODE	OIL FLOW l/min	CAPACITY l	VOLT. V	FREQ. Hz	POWER W	CURRENT A	AIR FLOW m³/h	PROTECTION IP	NOISE LEV. dB(A)	WEIGHT kg	ø FAN mm	TEMP. °C	DIMENSION Le Lt	
3RAP2/730EMX50	100-350	30	400	50	2x 550	2x 1,6	2x 7800	56	87	193	500	-20/+40	322	566
3RAP2/730EMX60	100-350	30	460	60	2x 750	2x 1,79	2x 8200	56	88	193	500	-20/+40	364	608