

# AP 2/830 EM

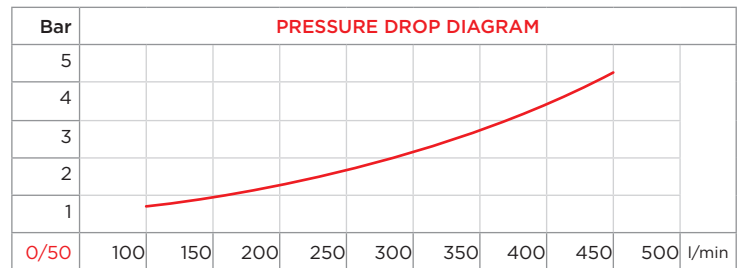
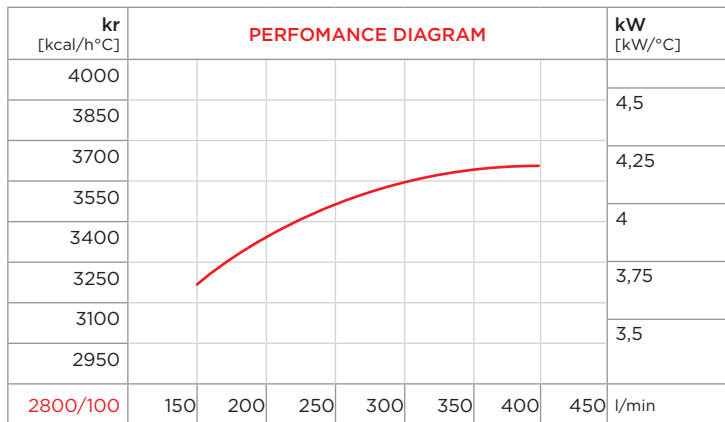


## PURCHASE CODES

AP 2/830 EM three-phase 400V 50HZ with thermo-switch	3RAP2830EM50T47 3RAP2830EM50T60
AP 2/830 EM three-phase 480V 60HZ with thermo-switch	3RAP2830EM60T47 3RAP2830EM60T60
AP 2/830 EM three-phase 400V 50HZ without thermo-switch	3RAP2/830EM50ST
AP 2/830 EM three-phase 480V 60HZ without thermo-switch	3RAP2/830EM60ST

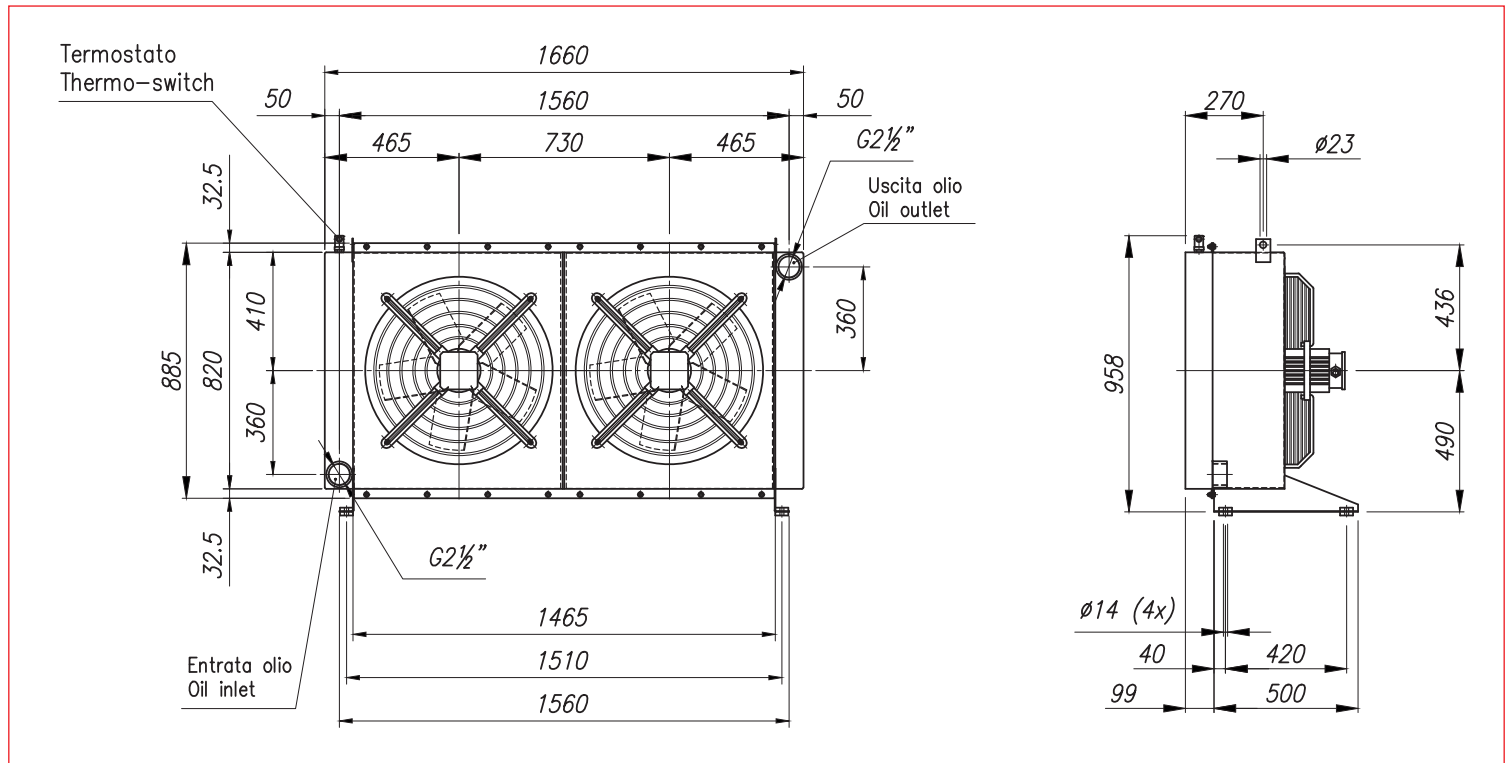
## SPARE PARTS

Cooling element	3RNL2/830A
Frame	3CNAP2/830EM.1
Electric fan 400V 50Hz	1VNAP830EM50
Electric fan 480V 60Hz	1VNAP830EM60
Thermo-switch 47-36	1TRM 47-36
Thermo-switch 60-49	1TRM 60-49



CORRECTION FACTOR							
cSt	22	30	46	68	100	150	220
f	0,6	1	1,5	2,3	3,5	5	7

- Dimensions and technical characteristics are not binding



CODE	OIL FLOW	CAPACITY	VOLT.	FREQ.	POWER	CURRENT	AIR FLOW	PROTECTION	NOISE LEV.	WEIGHT	ø FAN	TEMP.
	l/min	l	V	Hz	W	A	m³/h	IP	dB(A)	kg	mm	°C
3RAP2/830EM50ST	150-400	40	400	50	2x 1050	2x 2	2x 10000	56	75	186	560	-20/+40
3RAP2/830EM60ST	150-400	40	480	60	2x 1417	2x 2,44	2x 10600	56	75	186	560	-20/+40