

# AP 3/830 EM

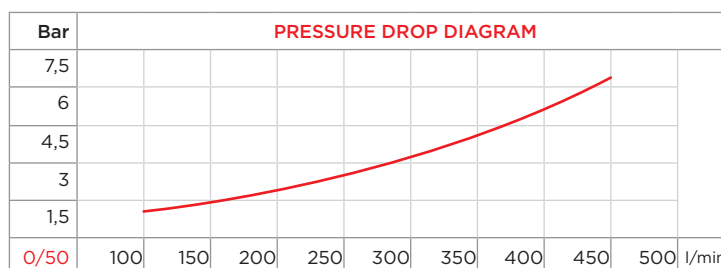
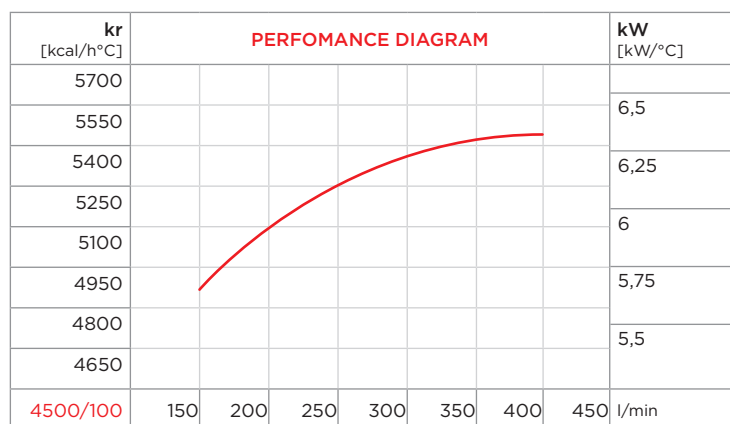


## PURCHASE CODES

AP 3/830 EM three-phase 400V 50HZ with thermo-switch	3RAP3830EM50T47 3RAP3830EM50T60
AP 3/830 EM three-phase 480V 60HZ with thermo-switch	3RAP3830EM60T47 3RAP3830EM60T60
AP 3/830 EM three-phase 400V 50HZ without thermo-switch	3RAP3/830EM50ST
AP 3/830 EM three-phase 480V 60HZ without thermo-switch	3RAP3/830EM60ST

## SPARE PARTS

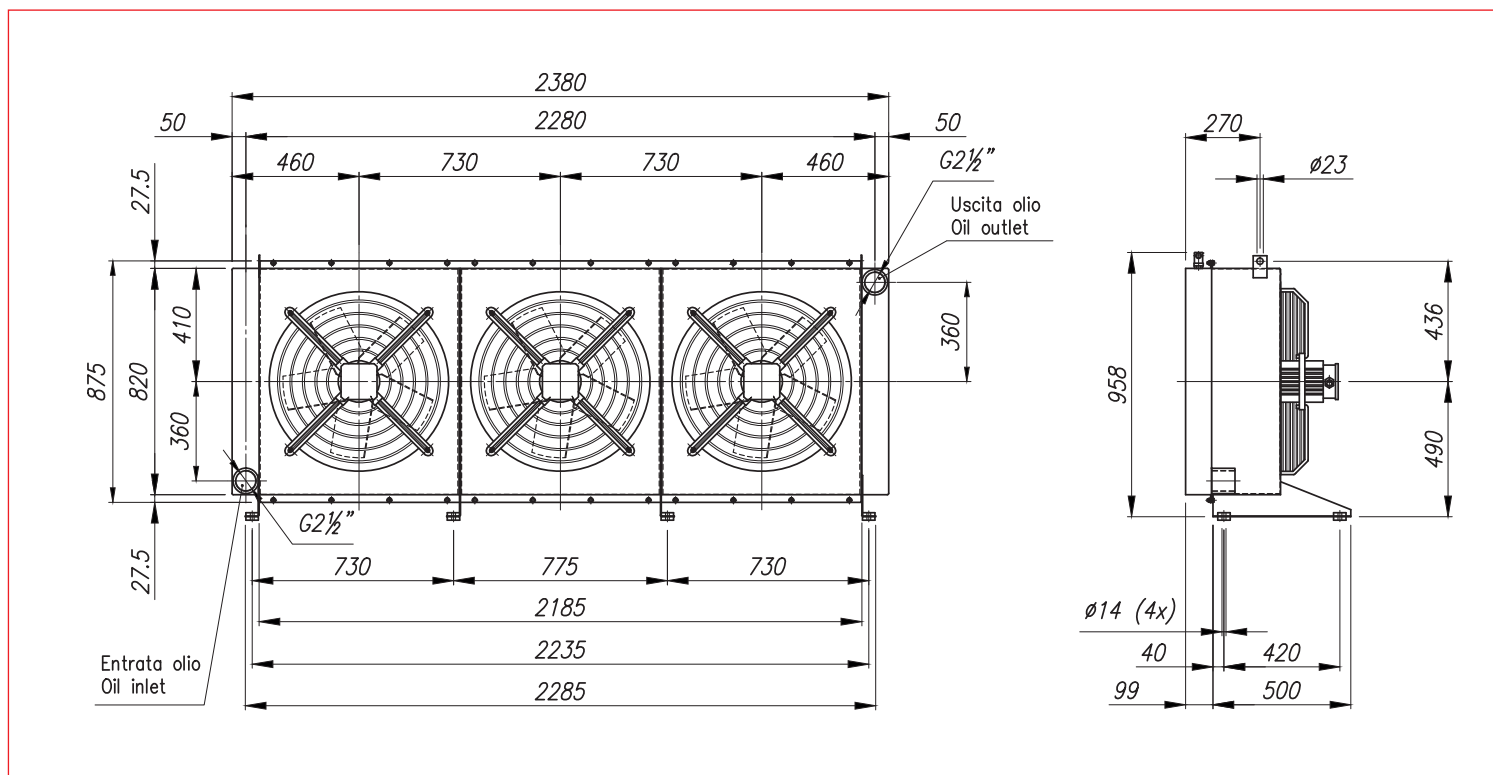
Cooling element	3RNL3/830A
Frame	3CNAP3 /830EM.1
Electric fan 400V 50Hz	1VNAP830EM50
Electric fan 480V 60Hz	1VNAP830EM60
Thermo-switch 47-36	1TRM 47-36
Thermo-switch 60-49	1TRM 60-49



**CORRECTION FACTOR**

cSt	22	30	46	68	100	150	220
f	0,6	1	1,5	2,3	3,5	5	7

- Dimensions and technical characteristics are not binding



CODE	OIL FLOW	CAPACITY	VOLT.	FREQ.	POWER	CURRENT	AIR FLOW	PROTECTION	NOISE LEV.	WEIGHT	Ø FAN	TEMP.
	l/min	l	V	Hz	W	A	m³/h	IP	dB(A)	kg	mm	°C
3RAP3/830EM50ST	150-400	60	400	50	3x 1050	3x 2	3x 10000	56	78	268	560	-20/+40
3RAP3/830EM60ST	150-400	60	480	60	3x 1417	3x 2,44	3x 10600	56	78	268	560	-20/+40