

AP 300 2/EM

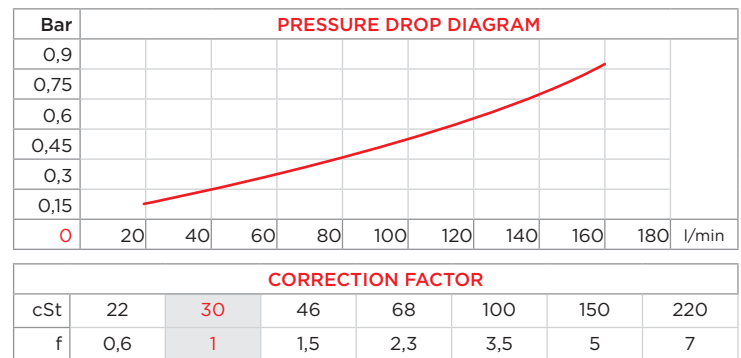
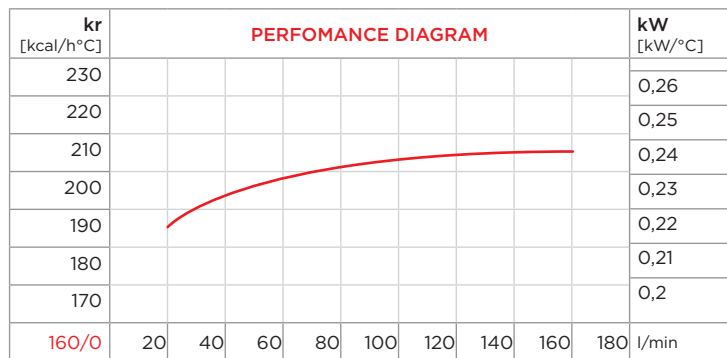


PURCHASE CODES

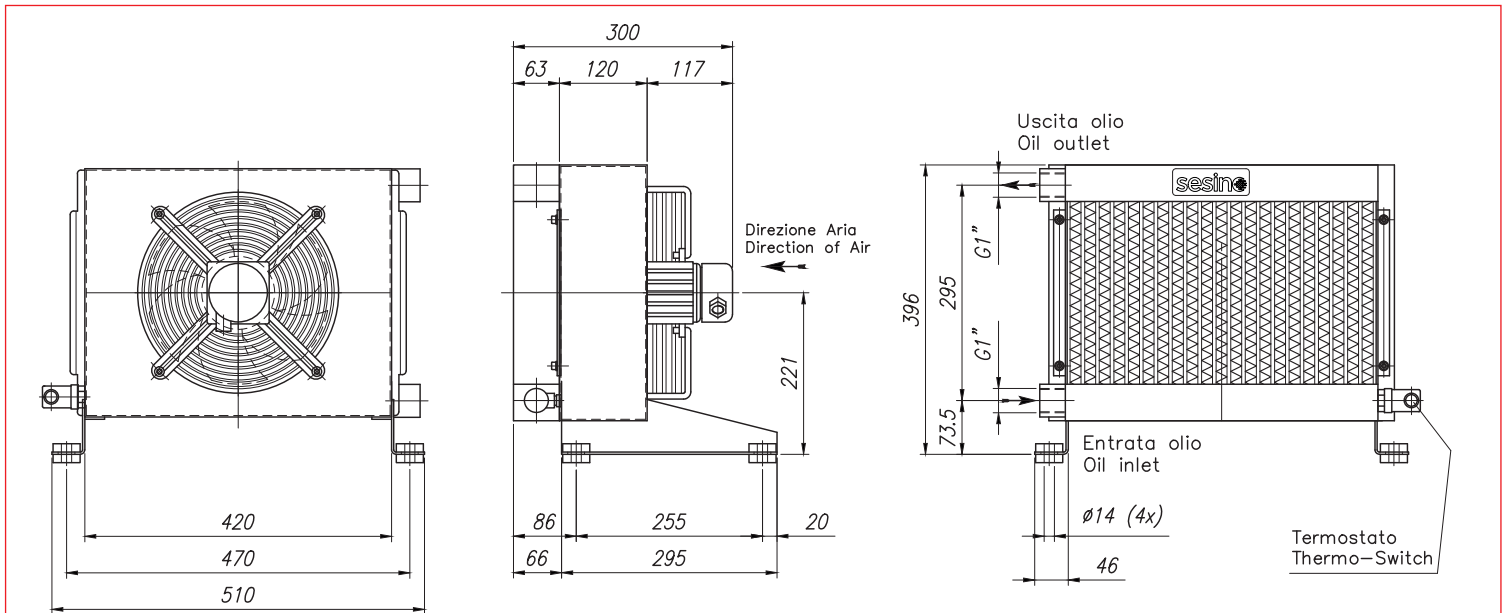
AP 300/2 EM three-phase 400V 50HZ with thermo-switch	3RAP302EM50T247 3RAP302EM50T260
AP 300/2 EM three-phase 480V 60HZ with thermo-switch	3RAP302EM60T247 3RAP302EM60T260
AP 300/2 EM three-phase 400V 50HZ without thermo-switch	3RAP302EM50ST
AP 300/2 EM three-phase 480V 60HZ without thermo-switch	3RAP302EM60ST

SPARE PARTS

Cooling element	3RNL302A
Frame	3CNAP302EM.1
Electric fan 400V 50Hz	1VNAP300EM50
Electric fan 480V 60Hz	1VNAP300EM60
Thermo-switch 47-36	1TRM 47-36
Thermo-switch 60-49	1TRM 60-49



- Dimensions and technical characteristics are not binding



CODE	OIL FLOW l/min	CAPACITY l	VOLT. V	FREQ. Hz	POWER W	CURRENT A	AIR FLOW m³/h	PROTECTION IP	NOISE LEV. dB(A)	WEIGHT kg	Ø FAN mm	TEMP. °C
3RAP302EM50ST	20-160	3,6	400	50	200	0,4	1700	56	73	17	250	-20/+40
3RAP302EM60ST	20-160	3,6	480	60	152	0,34	1800	56	73	17	250	-20/+40