

AP 300 EM

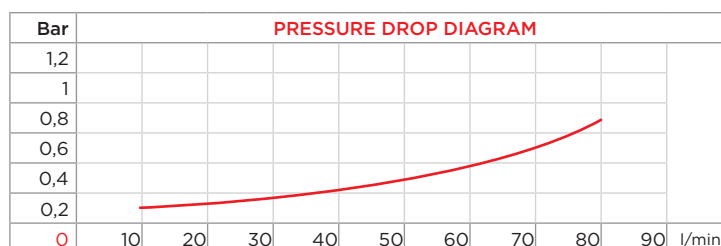
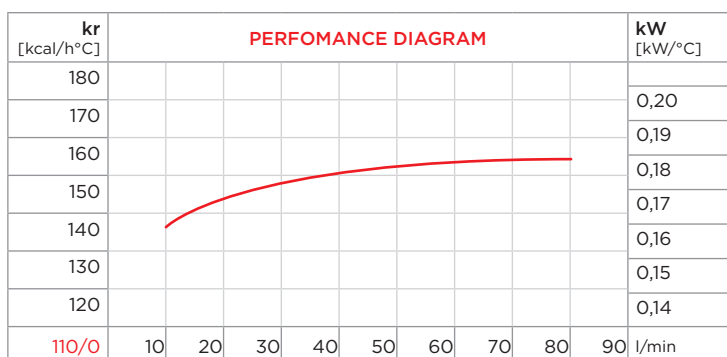


PURCHASE CODES

AP 300 EM three-phase 400V 50HZ with thermo-switch	3RAP300EM50T247 3RAP300EM50T260
AP 300 EM three-phase 480V 60HZ with thermo-switch	3RAP300EM60T247 3RAP300EM60T260
AP 300 EM three-phase 400V 50HZ without thermo-switch	3RAP300EM50ST
AP 300 EM three-phase 480V 60HZ without thermo-switch	3RAP300EM60ST

SPARE PARTS

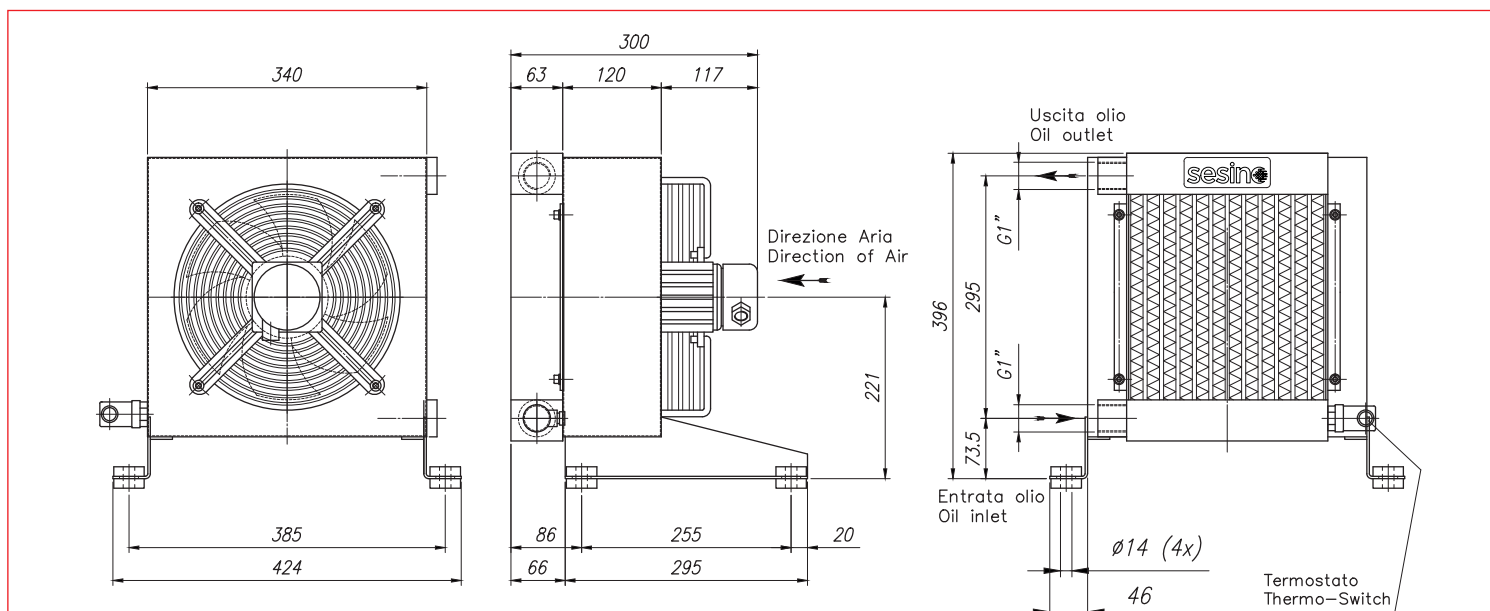
Cooling element	3RNL300A
Frame	3CNAP300EM.1
Electric fan 400V 50Hz	1VNAP300EM50
Electric fan 480V 60Hz	1VNAP300EM60
Thermo-switch 47-36	1TRM 47-36
Thermo-switch 60-49	1TRM 60-49



CORRECTION FACTOR

cSt	22	30	46	68	100	150	220
f	0,6	1	1,5	2,3	3,5	5	7

- Dimensions and technical characteristics are not binding



CODE	OIL FLOW	CAPACITY	VOLT.	FREQ.	POWER	CURRENT	AIR FLOW	PROTECTION	NOISE LEV.	WEIGHT	Ø FAN	TEMP.
	l/min	l	V	Hz	W	A	m³/h	IP	dB(A)	kg	mm	°C
3RAP300EM50ST	10-80	2	400	50	200	0,4	1500	56	73	12	250	-20/+40
3RAP300EM60ST	10-80	2	480	60	152	0,34	1580	56	73	12	250	-20/+40