

# AP 430/2 I

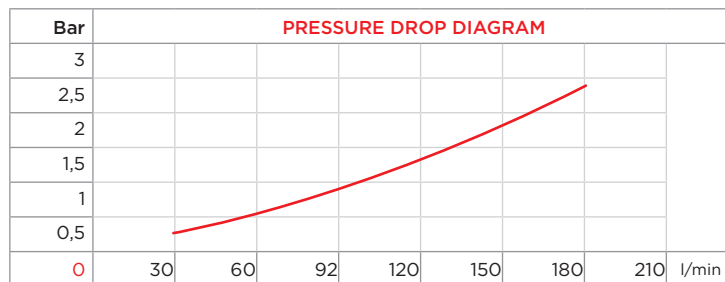
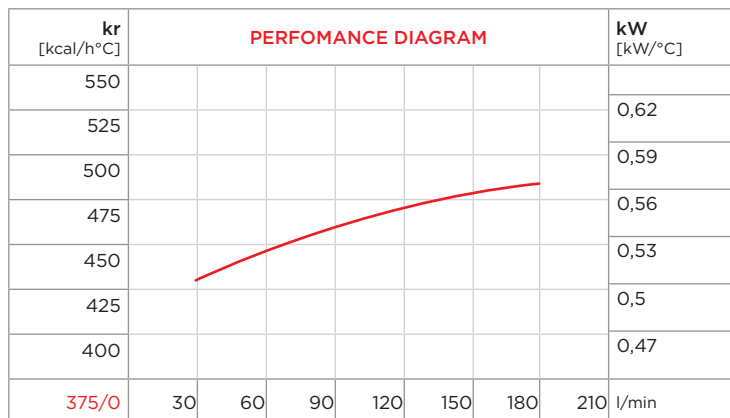
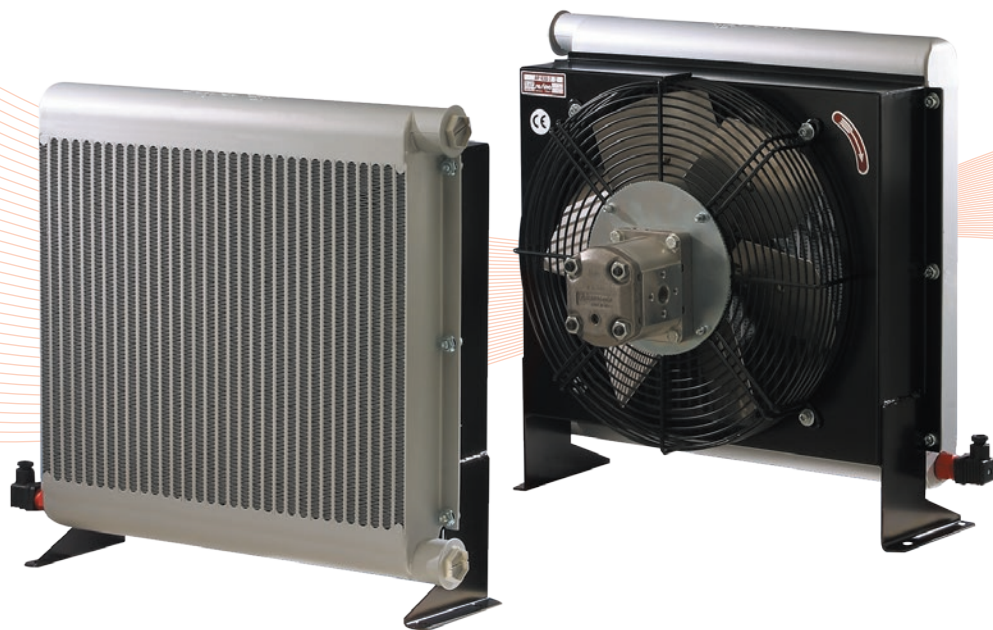


## PURCHASE CODES

AP 430/2 I with hydraulic motor	3RAP43211A
AP 430/2 I prepared	3RAP43214A

## SPARE PARTS

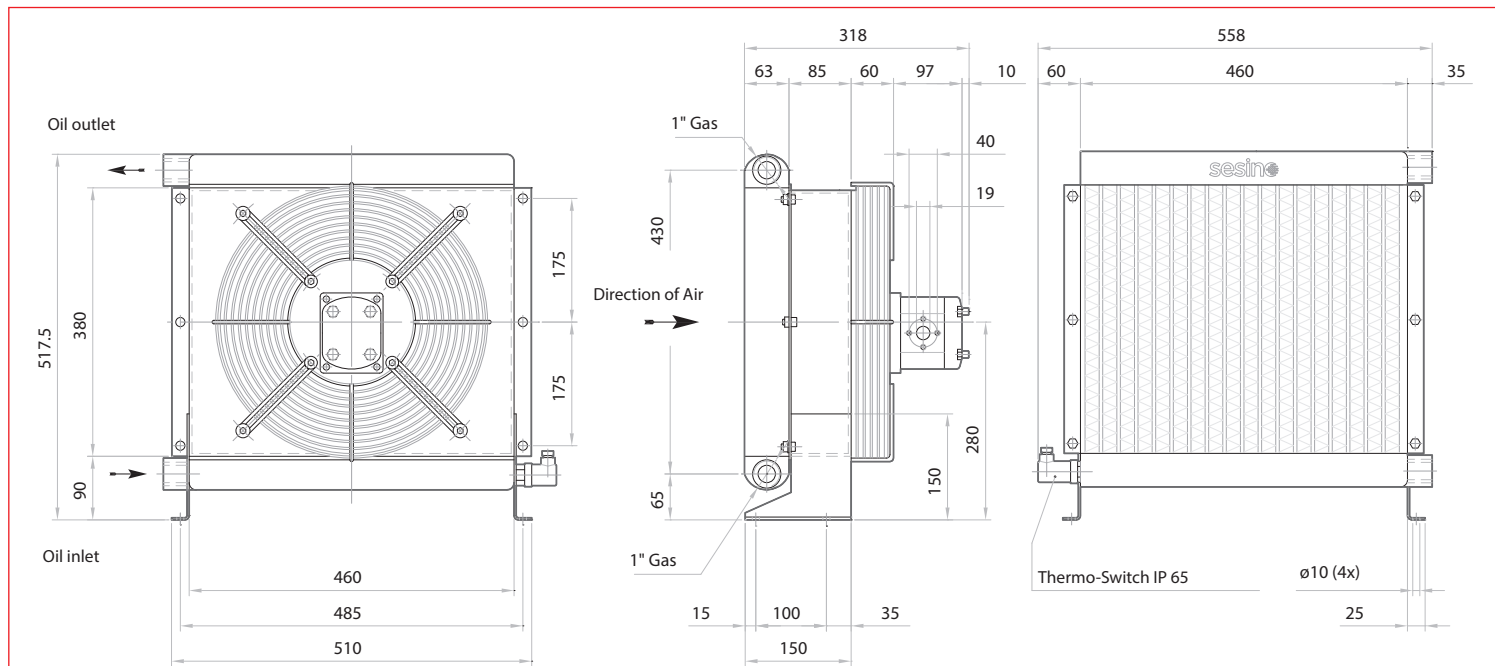
Cooling element	3RNAP432TP
Frame	3CN4301.1
Shock isolating mounting (4 pcs)	3KIT4511
Fan	1G430I
Fan grill	1RTAP430I
Hydraulic motor	1MO2/M16
Thermo-switch 60-49 IP 65	1TRM60-49
Thermo-switch 47-36 IP 65	1TRM47-36



**CORRECTION FACTOR**

cSt	22	30	46	68	100	150	220
f	0,6	1	1,5	2,3	3,5	5	7

- Dimensions and technical characteristics are not binding



OIL FLOW	FAN SPEED	POWER	DISPLACEMENT	MOTOR FLOW	AIR FLOW	NOISE LEVEL	WEIGHT	CAPACITY	ø FAN
l/min	rpm	W	cc/r	l/min	m <sup>3</sup> /h	dB(A)	kg	lt.	mm
30-180	2.700	830	11,3	31	7.000	74	23	5,5	400