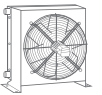


AP 430 EM

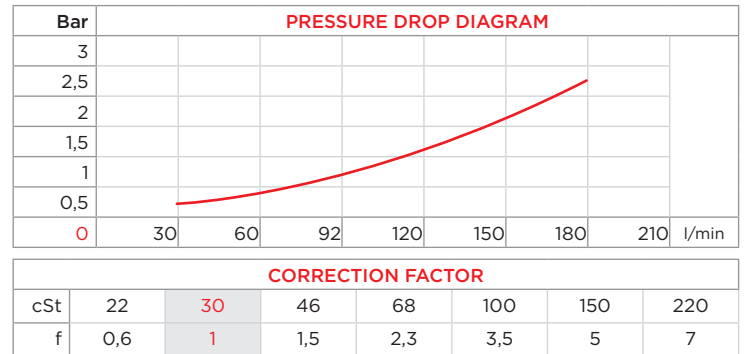
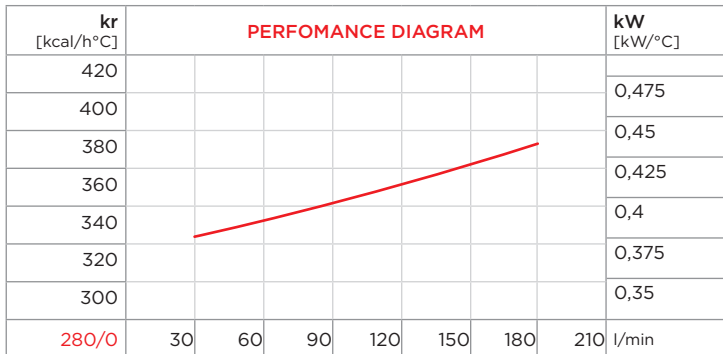


PURCHASE CODES

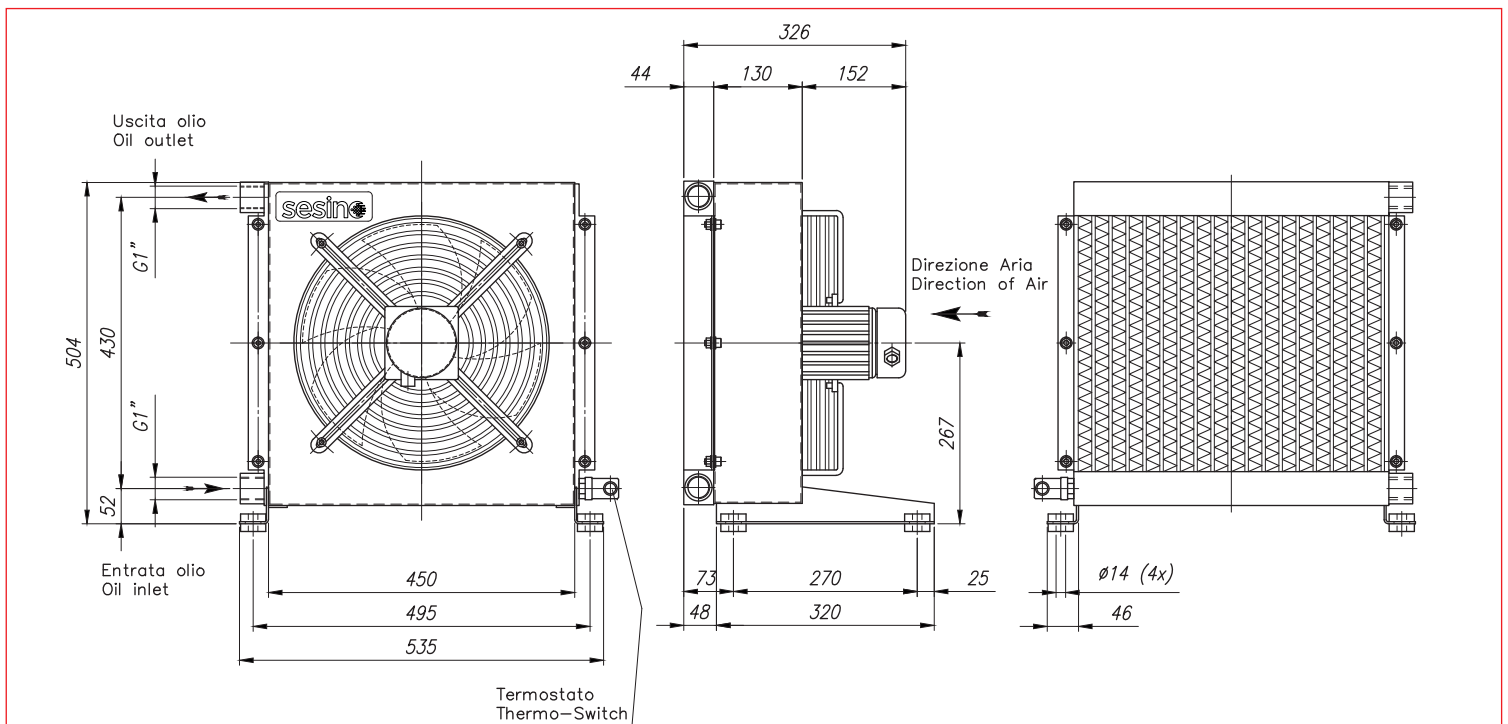
AP 430 EM three-phase 400V 50HZ with thermo-switch	3RAP430EM50T247 3RAP430EM50T260
AP 430 EM three-phase 480V 60HZ with thermo-switch	3RAP430EM60T247 3RAP430EM60T260
AP 430 EM three-phase 400V 50HZ without thermo-switch	3RAP430EM50ST
AP 430 EM three-phase 480V 60HZ without thermo-switch	3RAP430EM60ST

SPARE PARTS

Cooling element	3RNL430A
Frame	3CNAP430EM.1
Electric fan 400V 50Hz	1VNAP430EM50
Electric fan 480V 60Hz	1VNAP430EM60
Thermo-switch 47-36	1TRM 47-36
Thermo-switch 60-49	1TRM 60-49



- Dimensions and technical characteristics are not binding



CODE	OIL FLOW	CAPACITY	VOLT.	FREQ.	POWER	CURRENT	AIR FLOW	PROTECTION	NOISE LEV.	WEIGHT	ø FAN	TEMP.
	l/min	l	V	Hz	W	A	m³/h	IP	dB(A)	kg	mm	°C
3RAP430EM50ST	30-180	3,6	400	50	162	0,64	2600	56	73	20	350	-20/+40
3RAP430EM60ST	30-180	3,6	480	60	241	0,62	2800	56	73	20	350	-20/+40