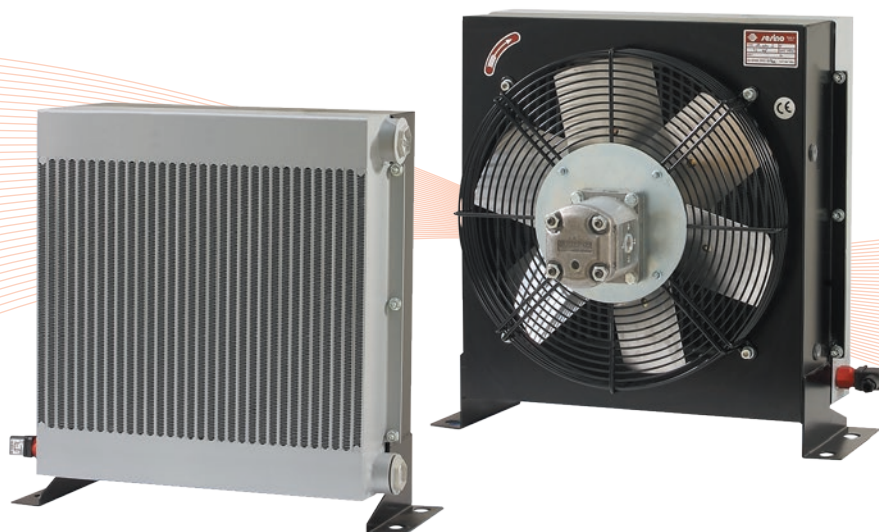


AP 494 I

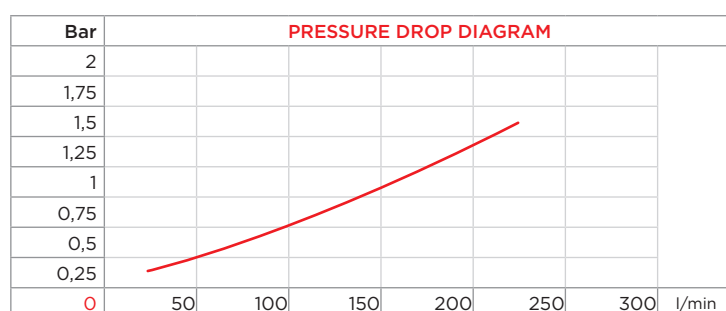
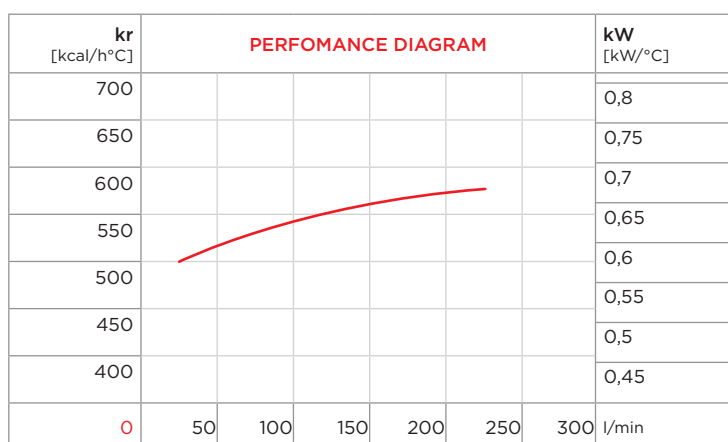


PURCHASE CODES

AP 494 I with hydraulic motor	3RAP49411A
AP 494 I prepared	3RAP49414A

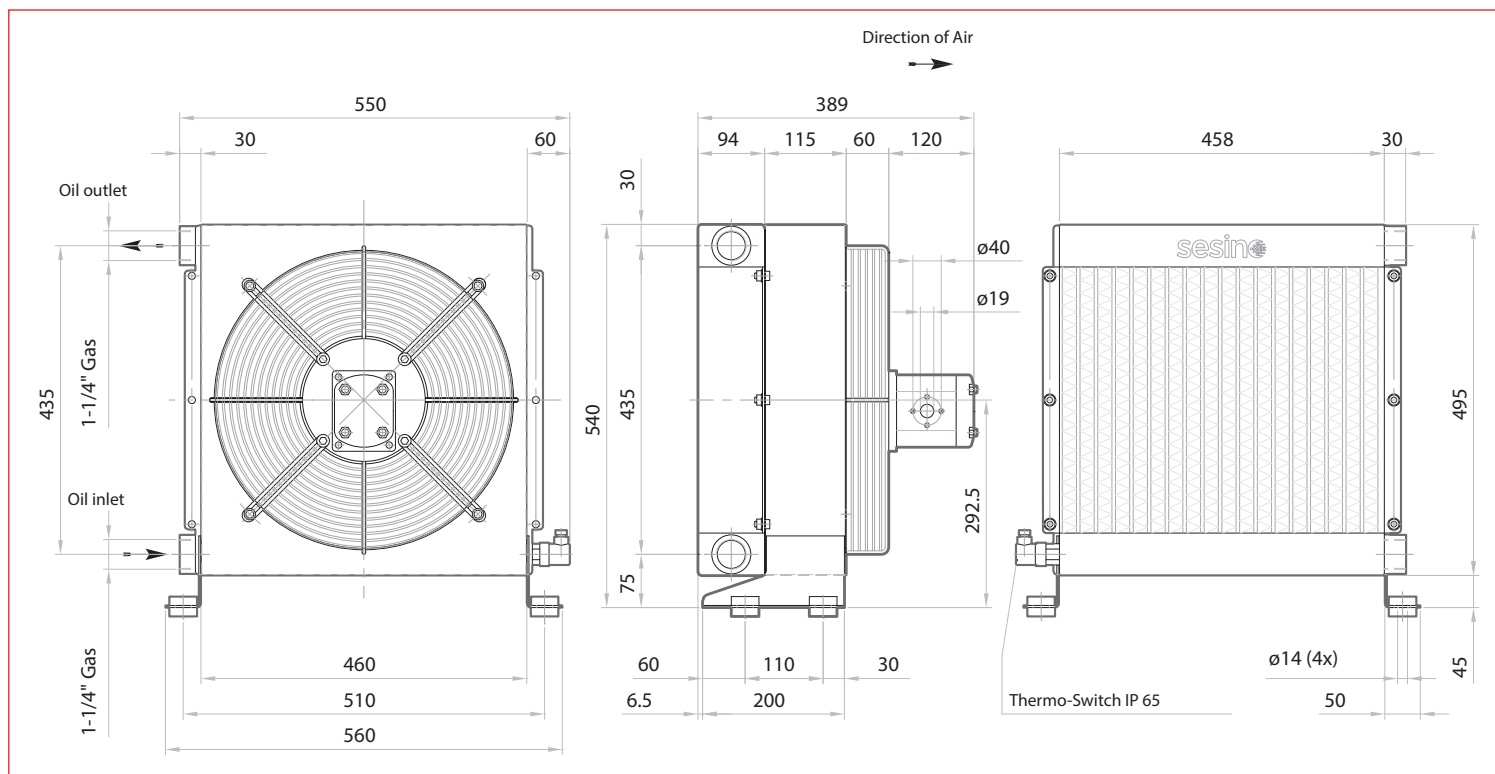
SPARE PARTS

Frame	3CNAP4941.1
Shock isolating mounting (4 pcs)	3KIT4135
Electric junction box for	1CSSDSAREL
Fan	1G580I
Cooling element	1RO99332
Hydraulic motor	1MO2/M16
Thermo-switch 60-49 IP 65	1TRM60-49
Thermo-switch 47-36 IP 65	1TRM47-36
Fan Grill	1RTAP580I



CORRECTION FACTOR							
cSt	22	30	46	68	100	150	220
f	0,6	1	1,5	2,3	3,5	5	7

- Dimensions and technical characteristics are not binding



OIL FLOW	FAN SPEED	POWER	DISPLACEMENT	MOTOR FLOW	AIR FLOW	NOISE LEVEL	WEIGHT	CAPACITY	Ø FAN
l/min	rpm	W	cc/r	l/min	m³/h	dB(A)	kg	lt.	mm
30-240	2.400	1100	11,3	27	8.000	75	26	8	400