

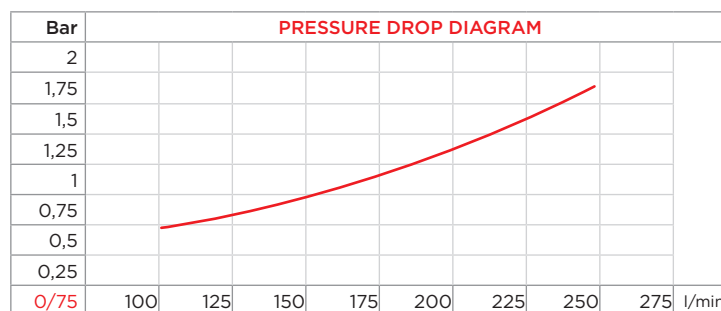
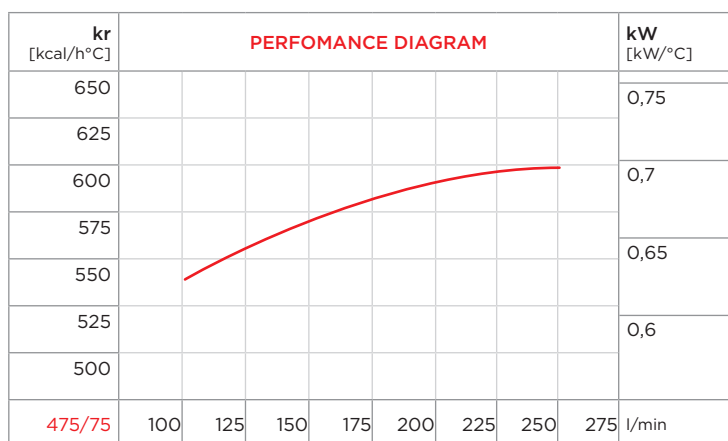
PURCHASE CODES

AP 580 EB three-phase

3RAP580EB

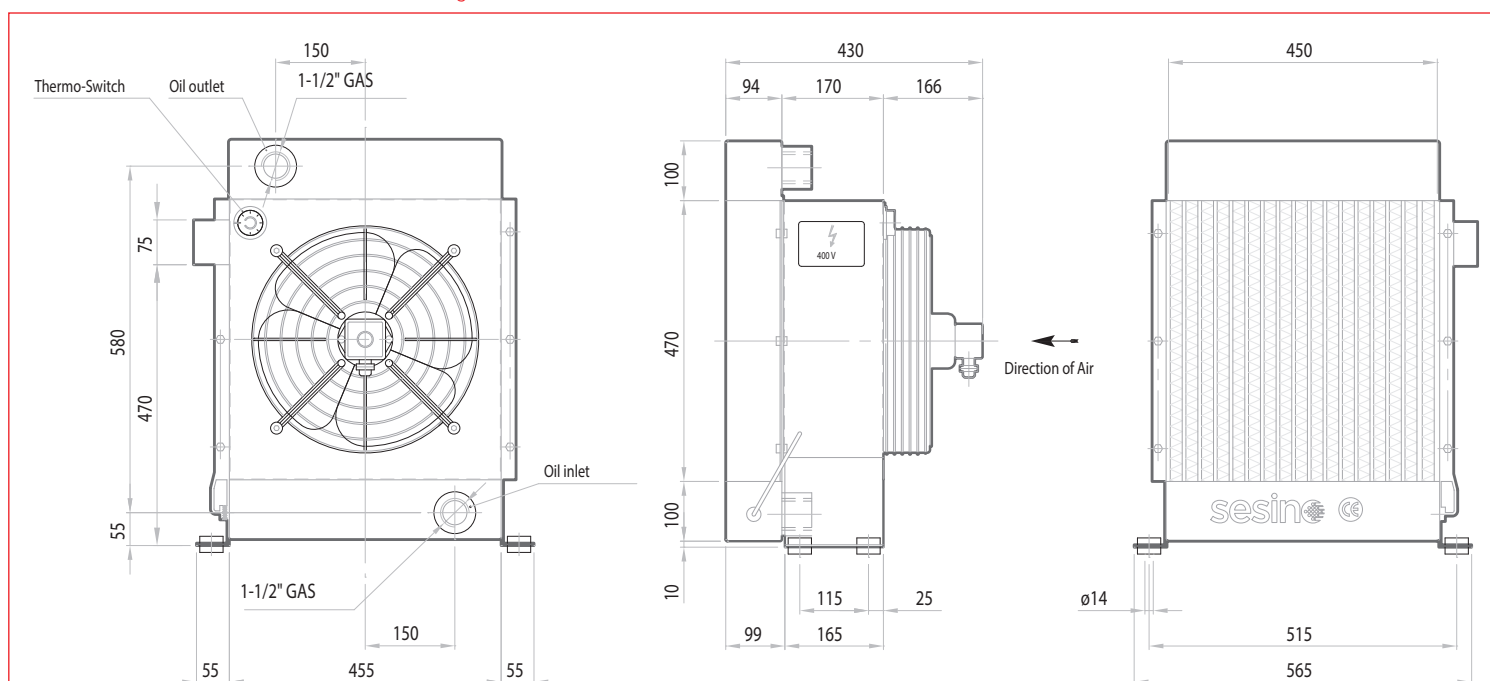
SPARE PARTS

Adjustable thermo-switch	1TRM0-90
Shock isolating mounting (4 pcs)	3KIT4135
Electric junction box	1CSDSAREL
Cooling element	3RNAP580E
Electric fan	1VNELCO43238DV1
Frame	3CNAP580EB.1



cSt	22	30	46	68	100	150	220
f	0,6	1	1,5	2,3	3,5	5	7

- Dimensions and technical characteristics are not binding



OIL FLOW	CAPACITY	VOLTAGE	FREQUENCY	POWER	CURRENT	AIR FLOW	PROTECTION	NOISE LEVEL	WEIGHT	Ø FAN
l/min	l	V	hz	W	A	m³/h	IP	dB(A)	kg	mm
100-250	11,5	Δ 230 Y 400	50	110/180	0,57/0,33	3.500	55	72	40	400
100-250	11,5	Δ 265 Y 460	60	145/260	0,68/0,39	4.800	55	72	40	400