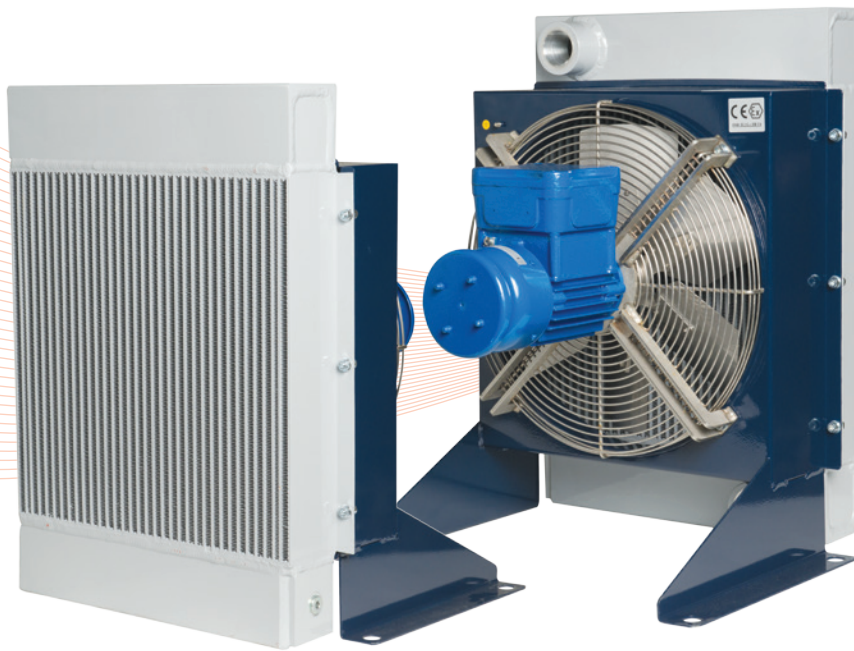
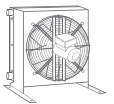


AP 580 EMX

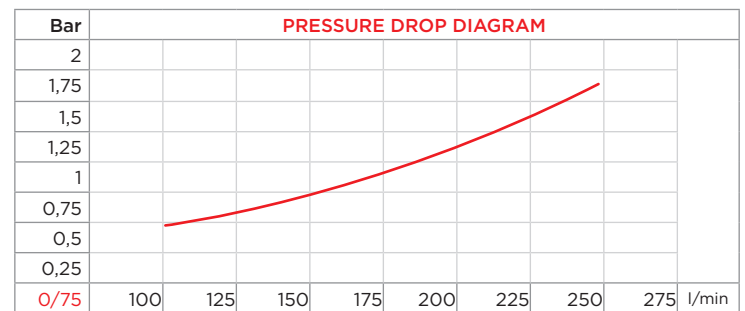
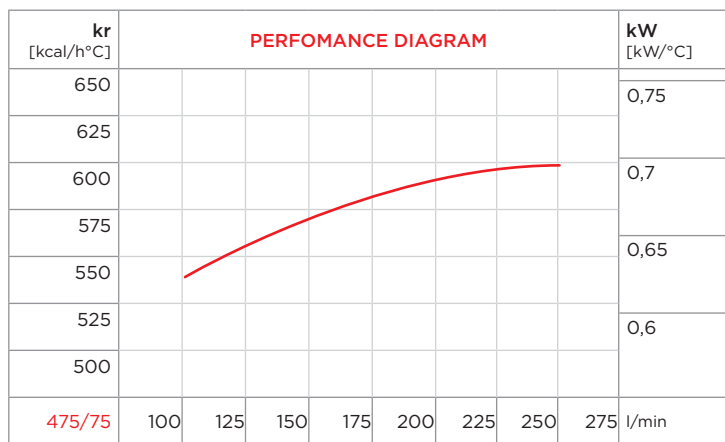


PURCHASE CODES

AP 580 EMX three-phase 400V 50Hz	3RAP580EMX50
AP 580 EMX three-phase 460V 60Hz	3RAP580EMX60

SPARE PARTS

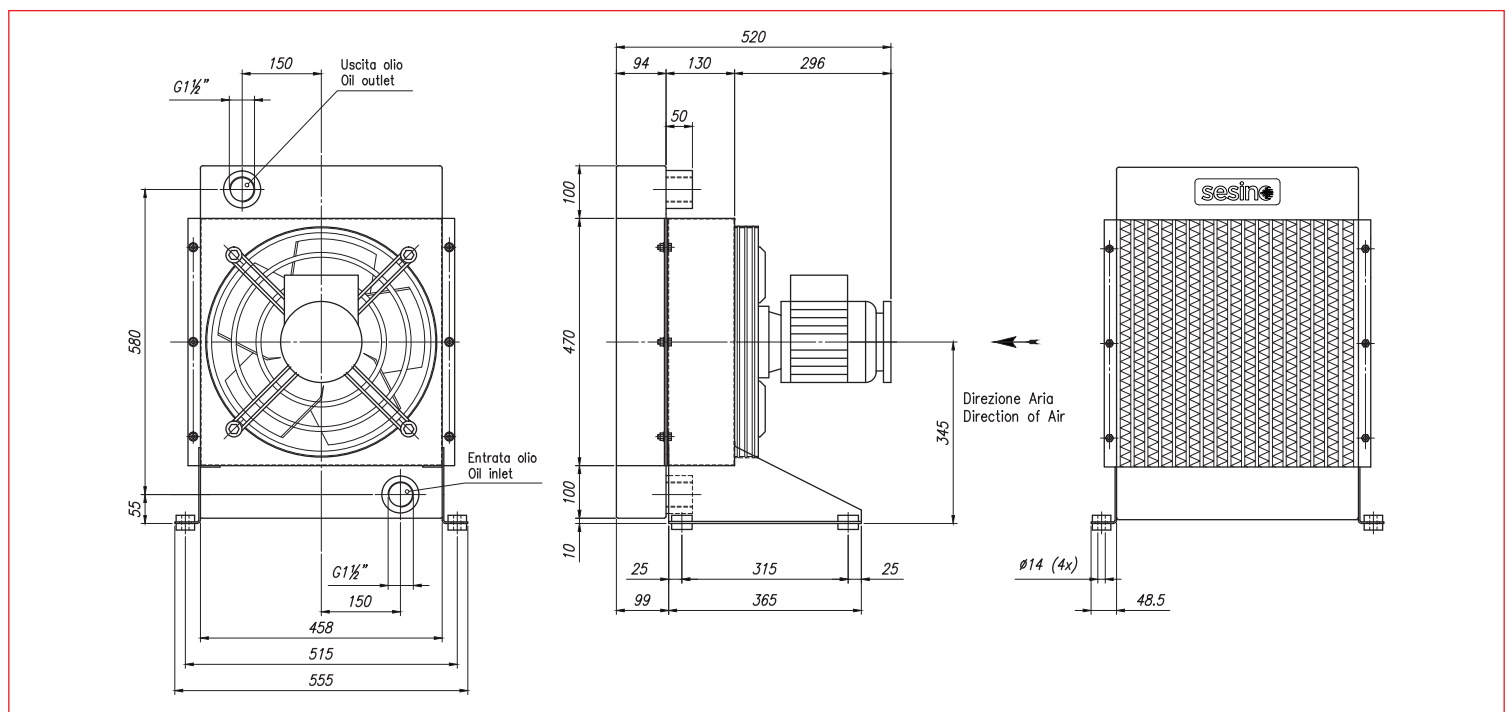
Cooling element	3RNL580A
Frame	3CNAP580EMX.1
Electric fan 400V 50Hz	1VNAP432EMX50
Electric fan 460V 60Hz	1VNAP432EMX60



CORRECTION FACTOR

cSt	22	30	46	68	100	150	220
f	0,6	1	1,5	2,3	3,5	5	7

- Dimensions and technical characteristics are not binding



CODE	OIL FLOW l/min	CAPACITY l	VOLT. V	FREQ. Hz	POWER W	CURRENT A	AIR FLOW m³/h	PROTECTION IP	NOISE LEV. dB(A)	WEIGHT kg	ø FAN mm	TEMP. °C
3RAP580EMX50	100-250	11,5	400	50	180	0,67	3500	56	79	62	400	-20/+40
3RAP580EMX60	100-250	11,5	460	50	180	0,59	3700	56	81	62	400	-20/+40