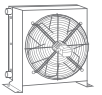


AP 680 EM

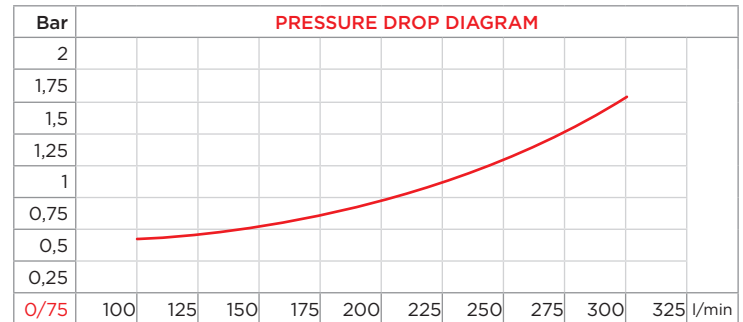
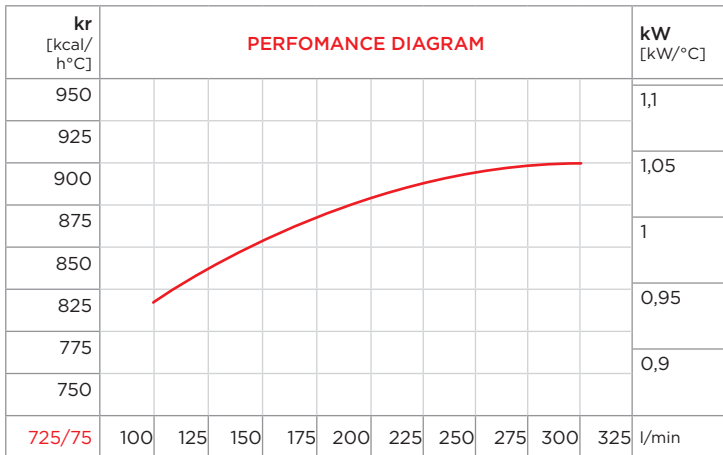


PURCHASE CODES

AP 680 EM three-phase 400V 50HZ with thermo-switch	3RAP680EM50T247 3RAP680EM50T260
AP 680 EM three-phase 480V 60HZ with thermo-switch	3RAP680EM60T247 3RAP680EM60T260
AP 680 EM three-phase 400V 50HZ without thermo-switch	3RAP680EM50ST
AP 680 EM three-phase 480V 60HZ without thermo-switch	3RAP680EM60ST

SPARE PARTS

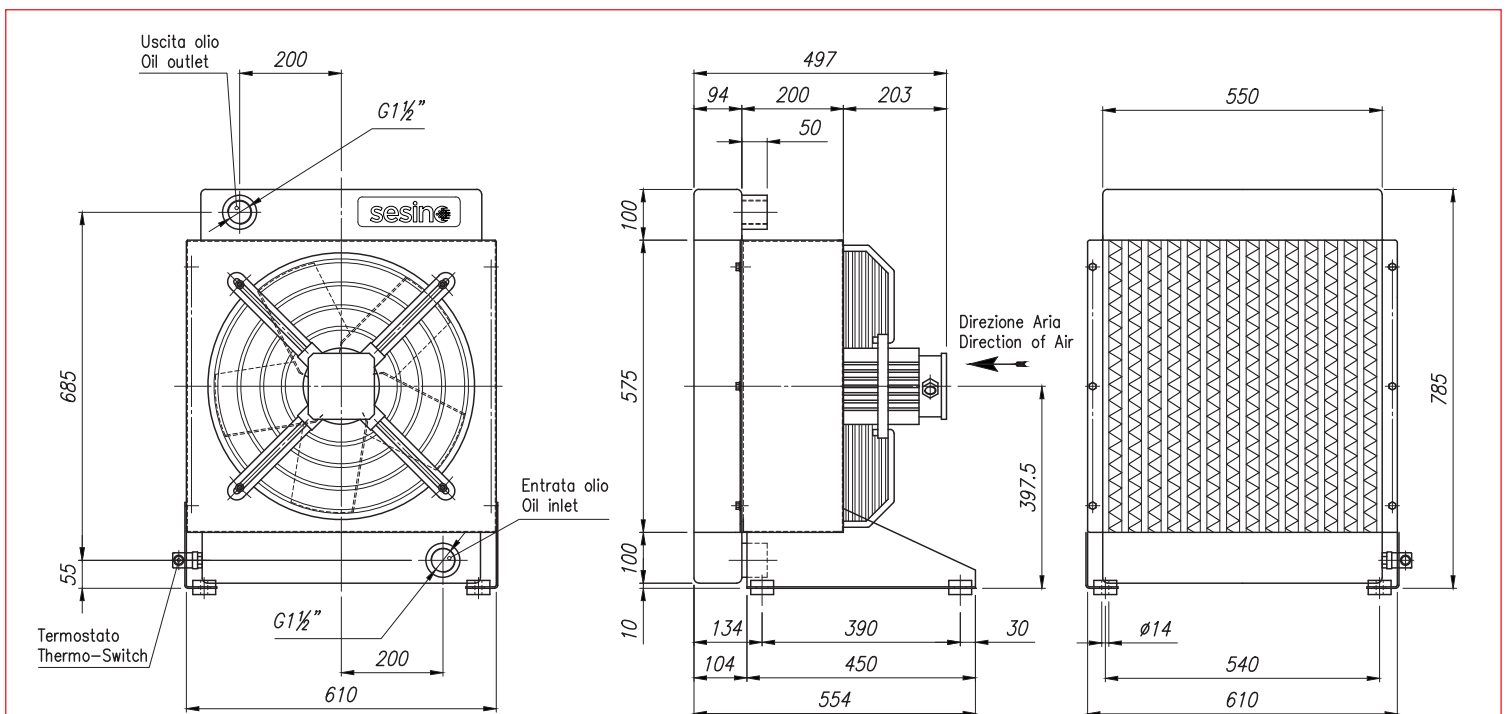
Cooling element	3RNL680A
Frame	3CNAP680EM.1
Electric fan 400V 50Hz	1VNAP680EM50
Electric fan 480V 60Hz	1VNAP680EM60
Thermo-switch 47-36	1TRM 47-36
Thermo-switch 60-49	1TRM 60-49



CORRECTION FACTOR

cSt	22	30	46	68	100	150	220
f	0,6	1	1,5	2,3	3,5	5	7

Dimensions and technical characteristics are not binding



CODE	OIL FLOW	CAPACITY	VOLT.	FREQ.	POWER	CURRENT	AIR FLOW	PROTECTION	NOISE LEV.	WEIGHT	Ø FAN	TEMP.
	l/min	l	V	Hz	W	A	m³/h	IP	dB(A)	kg	mm	°C
3RAP680EM50ST	100-300	15	400	50	725	1,34	7500	56	75	67	500	-20/+40
3RAP680EM60ST	100-300	15	480	60	816	1,27	7900	56	75	67	500	-20/+40