

AP 830 EB

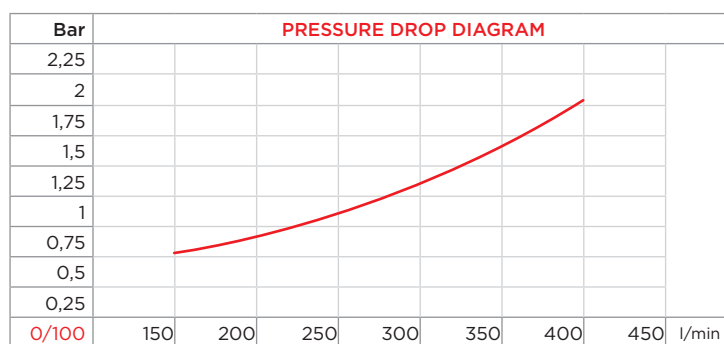
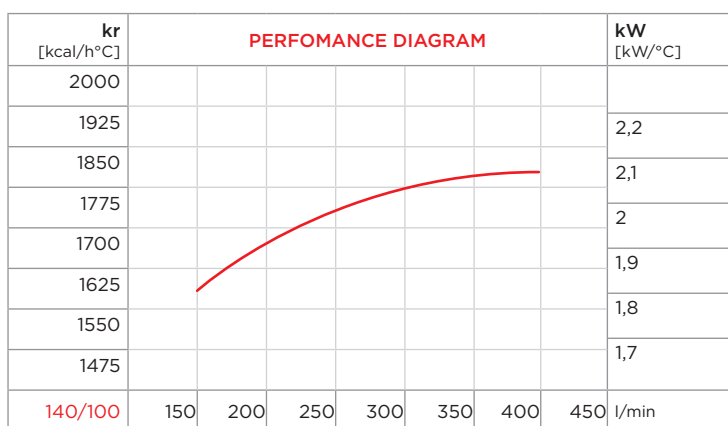


PURCHASE CODES

AP 830 EB three-phase	3RAP830EB
-----------------------	------------------

SPARE PARTS

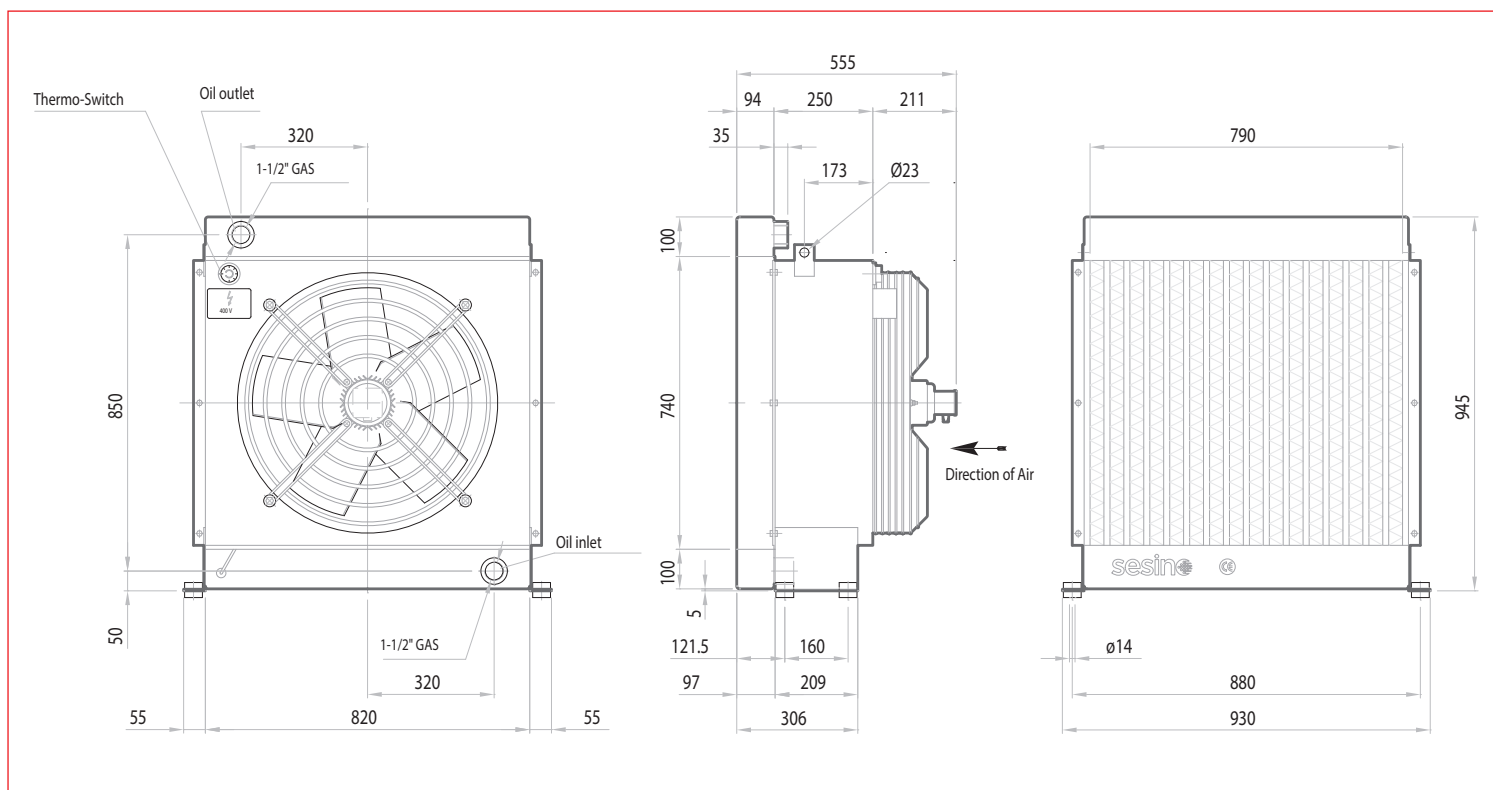
Adjustable thermo-switch	1TRM0-90
Shock isolating mounting (4 pcs)	3KIT4232
Electric junction box	1CSSDSAREL
Cooling element	3RNAP830E
Electric fan	1VNA4D560DV
Frame	3CNAP830EB.1



CORRECTION FACTOR

cSt	22	30	46	68	100	150	220
f	0,6	1	1,5	2,3	3,5	5	7

- Dimensions and technical characteristics are not binding



OIL FLOW	CAPACITY	VOLTAGE	FREQUENCY	POWER	CURRENT	AIR FLOW	PROTECTION	NOISE LEVEL	WEIGHT	Ø FAN
l/min	l	V	hz	W	A	m³/h	IP	dB(A)	kg	mm
150-400	20	400	50	810	1,54	9.500	54	73	83	560
150-400	20	480	60	1300	1,94	11.500	54	75	83	560