

AP 830 EM

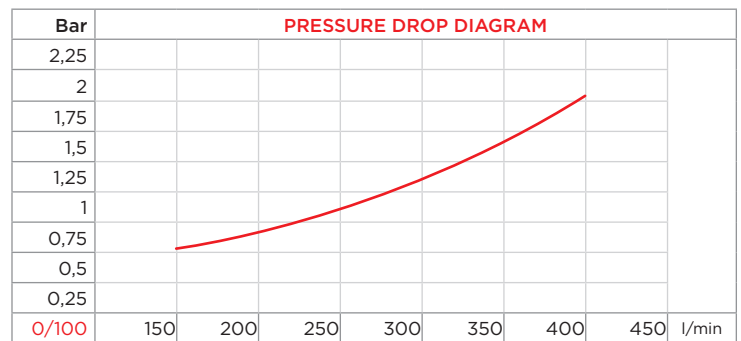
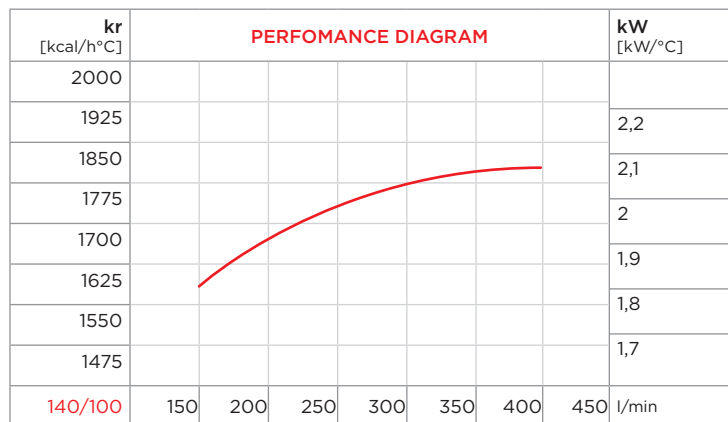


PURCHASE CODES

AP 830 EM three-phase 400V 50HZ with thermo-switch	3RAP830EM50T247 3RAP830EM50T260
AP 830 EM three-phase 480V 60HZ with thermo-switch	3RAP830EM60T247 3RAP830EM60T260
AP 830 EM three-phase 400V 50HZ without thermo-switch	3RAP830EM50ST
AP 830 EM three-phase 480V 60HZ without thermo-switch	3RAP830EM60ST

SPARE PARTS

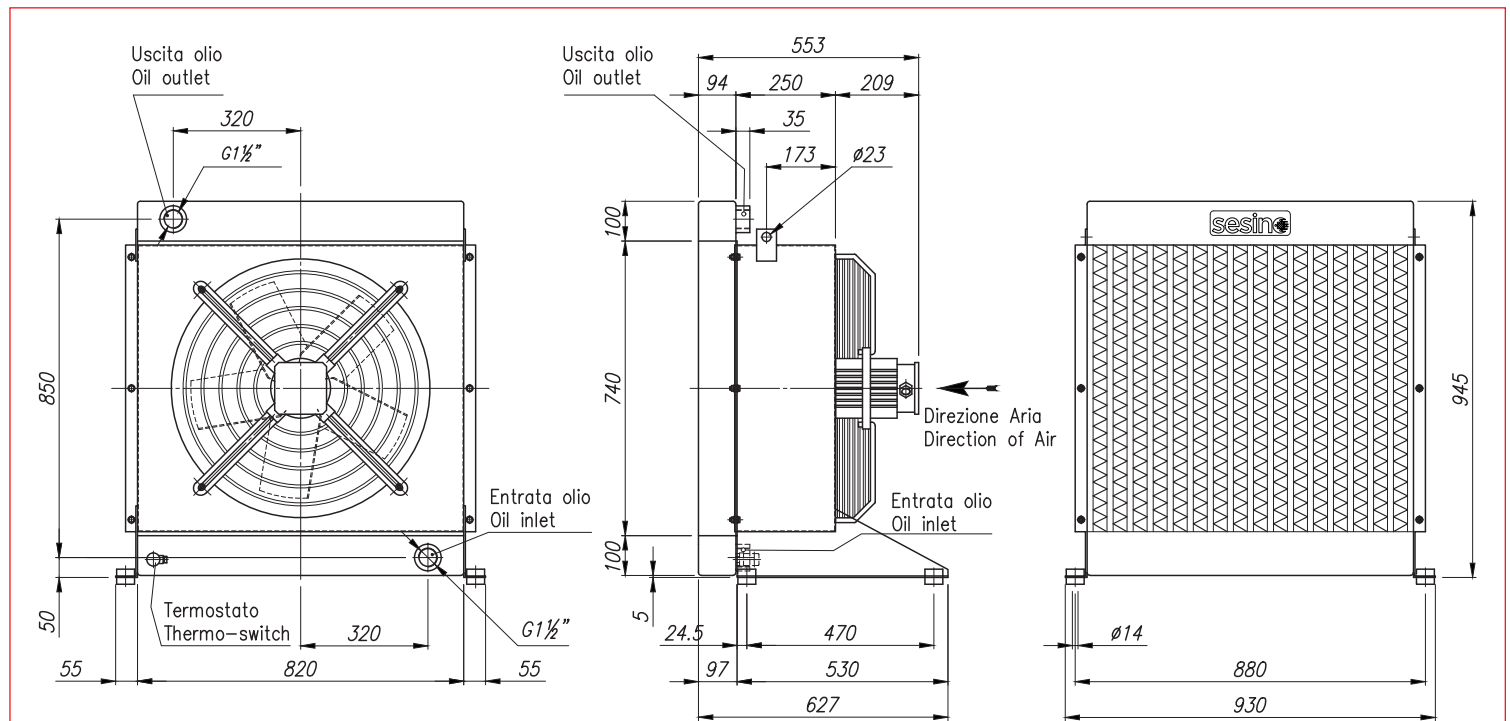
Cooling element	3RNL830A
Frame	3CNAP830EM.1
Electric fan 400V 50Hz	1VNAP830EM50
Electric fan 480V 60Hz	1VNAP830EM60
Thermo-switch 47-36	1TRM 47-36
Thermo-switch 60-49	1TRM 60-49



CORRECTION FACTOR

cSt	22	30	46	68	100	150	220
f	0,6	1	1,5	2,3	3,5	5	7

- Dimensions and technical characteristics are not binding



CODE	OIL FLOW l/min	CAPACITY l	VOLT. V	FREQ. Hz	POWER W	CURRENT A	AIR FLOW m³/h	PROTECTION IP	NOISE LEV. dB(A)	WEIGHT kg	ø FAN mm	TEMP. °C
3RAP830EM50ST	150-400	20	400	50	1050	2	10000	56	75	86	500	-20/+40
3RAP830EM60ST	150-400	20	480	60	1417	2,44	10600	56	75	86	500	-20/+40