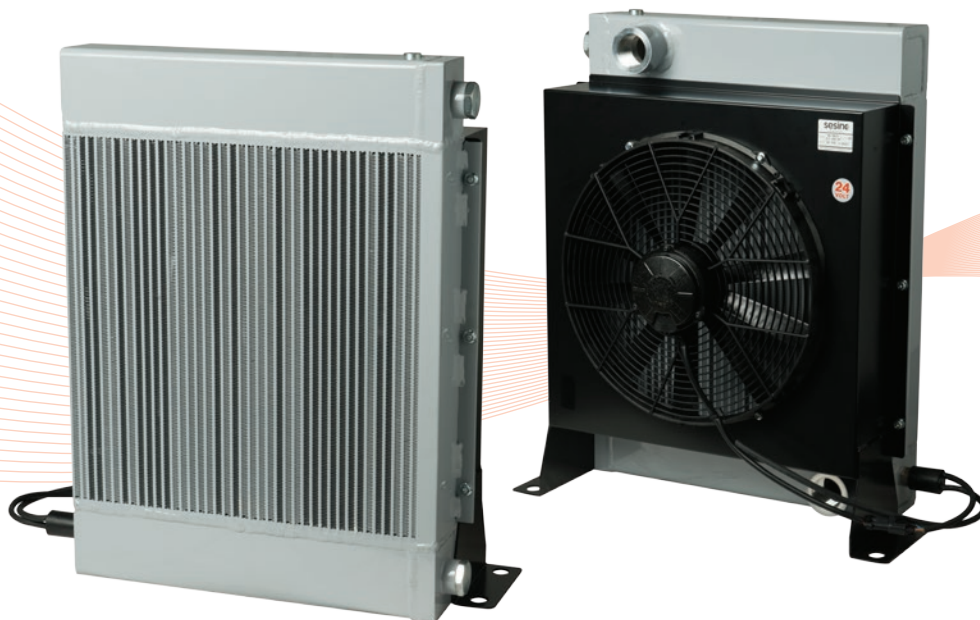


BC 390/3 12/24 BY-PASS

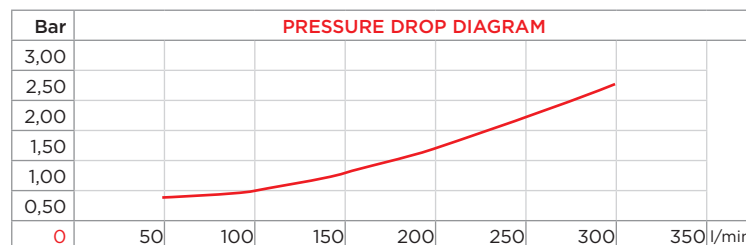
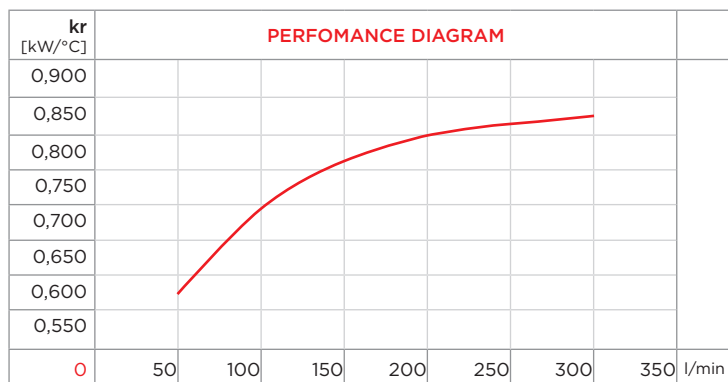


PURCHASE CODES

BC 390/3 12/24V without thermo switch	3RBC390/312BP 3RBC390/324BP
BC 390/3 12/24V with thermo switch	3RBC390/312T247BP 3RBC390/324T247BP 3RBC390/312T260BP 3RBC390/324T260BP

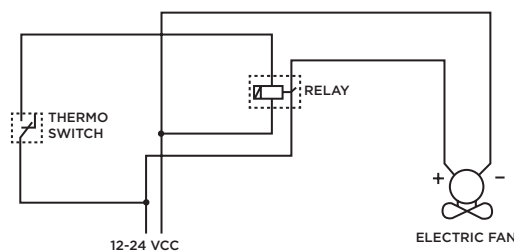
SPARE PARTS

Cooling element	1RO14494BP
Frame	3CNBC390/3.1
Electric fan 12V	1MCVA18AP70AC
Electric fan 24V	1VNAPL58024C
Thermo-switch 47-36 12V IP 67	1TRM 47-36/12V
Thermo-switch 47-36 24V IP 67	1TRM 47-36/24V
Thermo-switch 60-49 12V IP 67	1TRM 60-49/12V
Thermo-switch 60-49 24V IP 67	1TRM 60-49/24V
By-pass	9FTBC

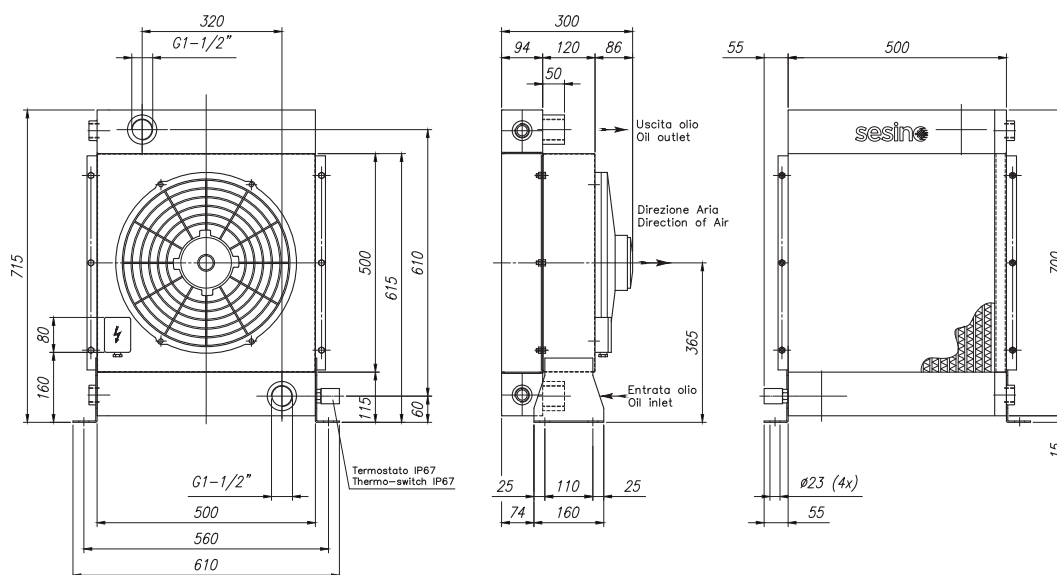


CORRECTION FACTOR

cSt	22	30	46	68	100	150	220
f	0,6	1	1,5	2,3	3,5	5	7



- Dimensions and technical characteristics are not binding



OIL FLOW	VOLTAGE	POWER	CURRENT	AIR FLOW	ELECTRIC PROTECTION	NOISE LEVEL	WEIGHT	ø FAN
l/min	V	W	A	m ³ /h	IP	dB(A)	kg	mm
50-300	12	240	20	2.900	68	85	33	380
50-300	24	240	10	2.900	68	85	33	380