

BC 250/2 AC

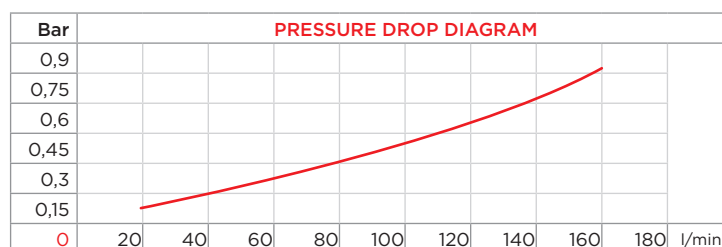
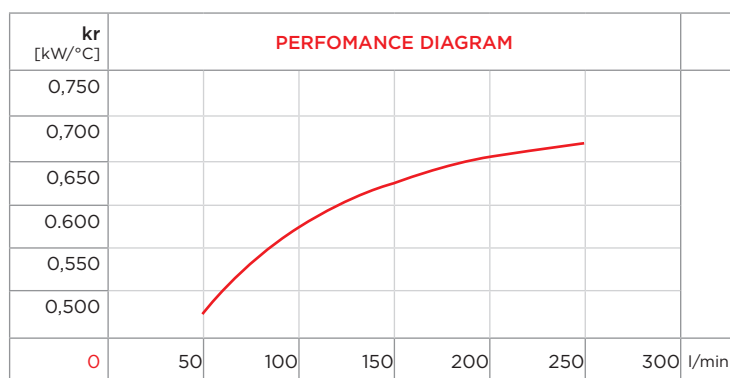


PURCHASE CODES

BC 250/2 single phase without thermo switch	3RBC250/2
BC 250/2 single phase with thermo switch	3RBC250/2T247 3RBC250/2T260
BC 250/2 three phase without thermo switch	3RBC250/238
BC 250/2 three phase with thermo switch	3RBC250/238T247 3RBC250/238T260

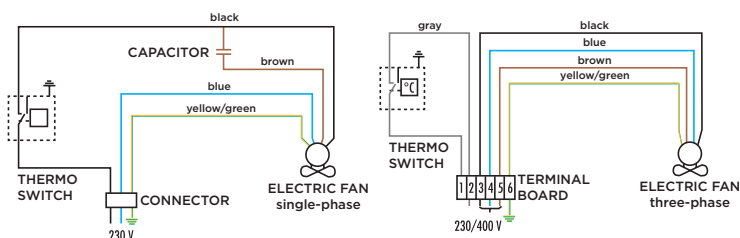
SPARE PARTS

Cooling element	1RO03380
Frame	3CNBC250/2M/T.1
Electric fan for BC 250/2 single phase	1VNA2E250G
Electric fan for BC 250/2 three phase	1VNA2D250.2
Thermo-switch 47-36 IP 65	1TRM 47-36
Thermo-switch 60-49 IP 65	1TRM 60-49

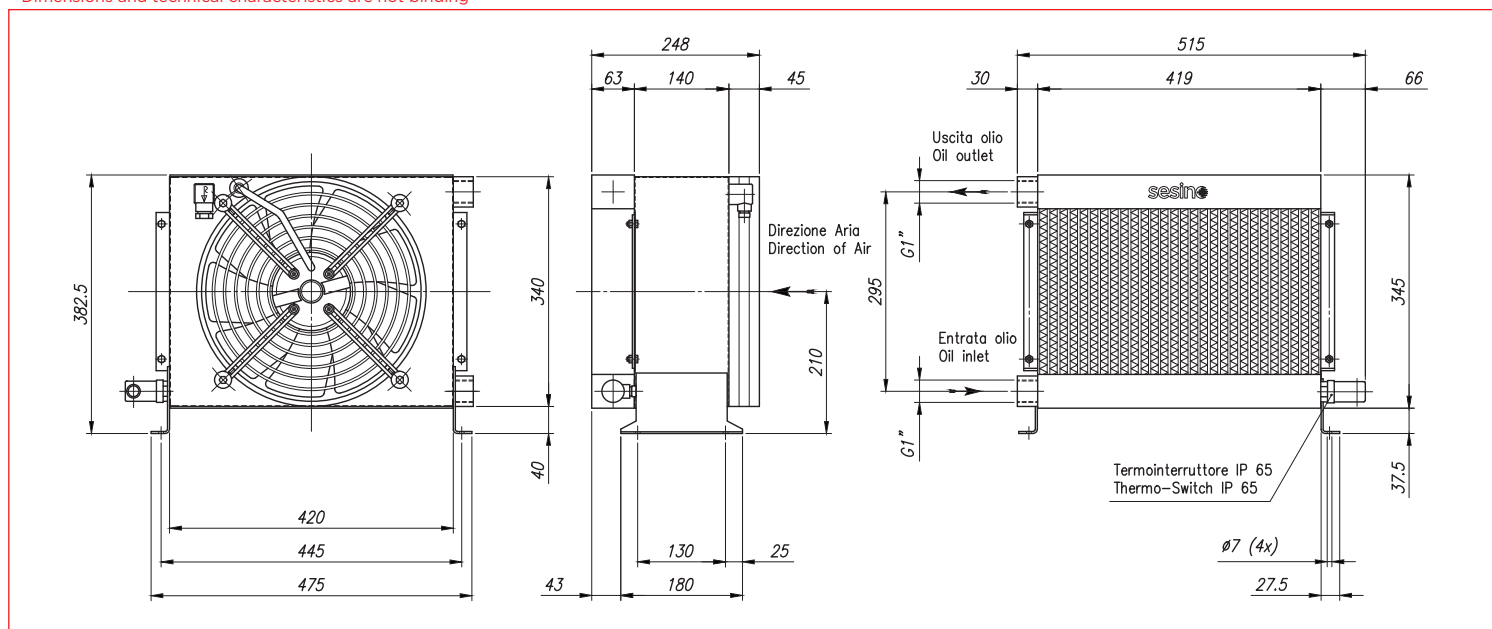


CORRECTION FACTOR

cSt	22	30	46	68	100	150	220
f	0,6	1	1,5	2,3	3,5	5	7



- Dimensions and technical characteristics are not binding



OIL FLOW	VOLTAGE	FREQUENCY	POWER	CURRENT	AIR FLOW	PROTECTION	NOISE LEVEL	WEIGHT	Ø FAN
l/min	V	hz	W	A	m³/h	IP	dB(A)	kg	mm
20-160	230	50/60	115/150	0,51/0,66	1.300	54	75	17	250
20-160	400	50/60	100/140	0,20/0,23	1.300	54	73	12	250