

BC 390 AC

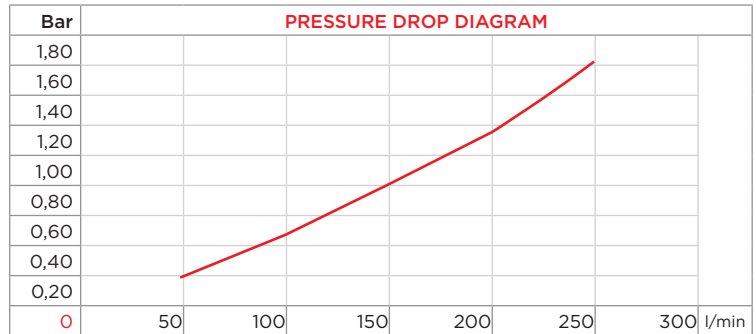
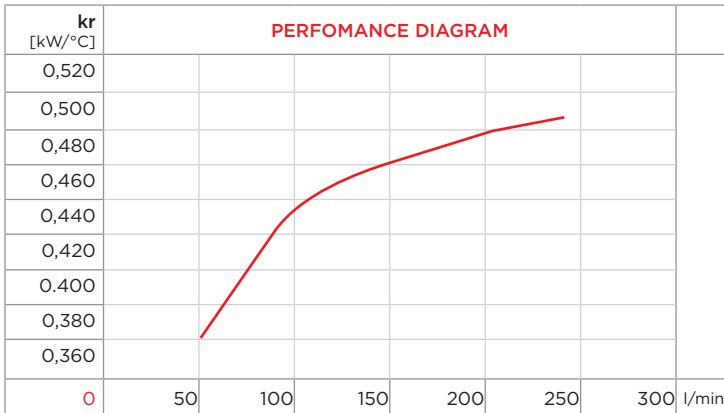


PURCHASE CODES

BC 390 single phase without thermo switch	3RBC390
BC 390 single phase with thermo switch	3RBC390T247 3RBC390T260
BC 390 three phase without thermo switch	3RBC39038
BC 390 three phase with thermo switch	3RBC39038T247 3RBC39038T260

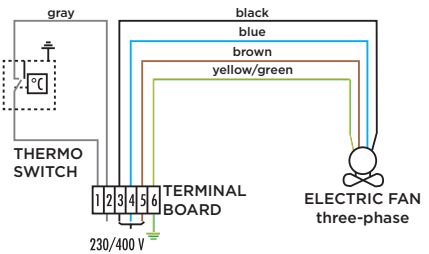
SPARE PARTS

Cooling element	1RO03381
Frame	3CNBC390M/T.1
Electric fan for BC 250 single phase	1VNA4E350
Electric fan for BC 250 three phase	1VNELCO43038DV1
Thermo-switch 47-36 IP 65	1TRM 47-36
Thermo-switch 60-49 IP 65	1TRM 60-49

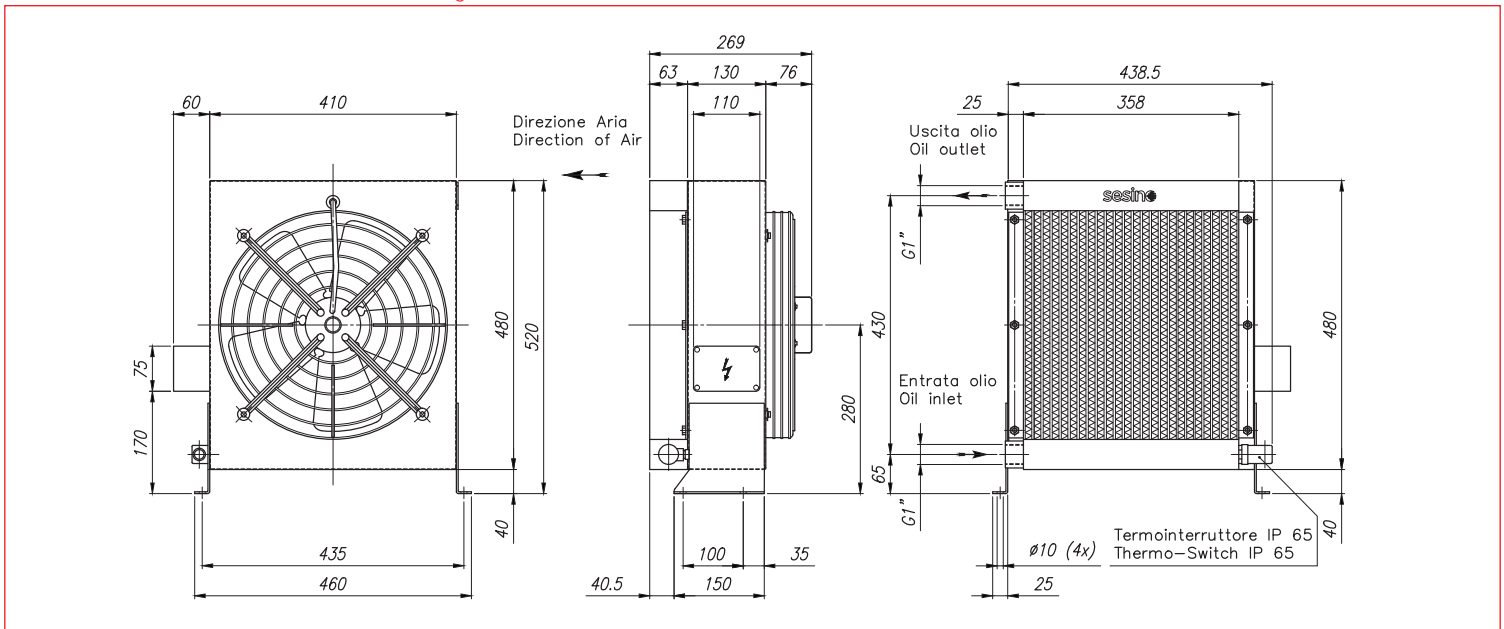


CORRECTION FACTOR

cSt	22	30	46	68	100	150	220
f	0,6	1	1,5	2,3	3,5	5	7



- Dimensions and technical characteristics are not binding



OIL FLOW	VOLTAGE	FREQUENCY	POWER	CURRENT	AIR FLOW	PROTECTION	NOISE LEVEL	WEIGHT	Ø FAN
l/min	V	hz	W	A	m³/h	IP	dB(A)	kg	mm
30-250	Δ 230 Y 400	50	100/170	0,62/0,30	2.750	55	73	22	350
30-250	Δ 265 Y 460	60	100/180	0,50/0,29	2.750	55	73	22	350