

GRUP 20 MOTORLARIN KODLAMA SİSTEMİ  
ORDERING CODE OF GROUP 20 MOTORS

APM20 . 115 . R A B 02 E G O N

| Motor Tipi / Motor Type |  |
|-------------------------|--|
| APM20                   | Alüminyum Gövdeli Düz Dişli Motor<br>Aluminium Body Gear Motor |
| DKM20                   | Döküm Gövdeli Düz Dişli Motor<br>Cast Iron Body Gear Motor     |

| İletim Hacmi / Displacement<br>cm <sup>3</sup> /dev (cm <sup>3</sup> /rev) |
|--|
| 040 = 3,9 cm <sup>3</sup> /dev (cm <sup>3</sup> /rev)                      |
| 060 = 5,9 cm <sup>3</sup> /dev (cm <sup>3</sup> /rev)                      |
| 080 = 8,0 cm <sup>3</sup> /dev (cm <sup>3</sup> /rev)                      |
| 095 = 9,4 cm <sup>3</sup> /dev (cm <sup>3</sup> /rev)                      |
| 115 = 11,4 cm <sup>3</sup> /dev (cm <sup>3</sup> /rev)                     |
| 140 = 13,9 cm <sup>3</sup> /dev (cm <sup>3</sup> /rev)                     |
| 160 = 16,0 cm <sup>3</sup> /dev (cm <sup>3</sup> /rev)                     |
| 190 = 19,2 cm <sup>3</sup> /dev (cm <sup>3</sup> /rev)                     |
| 220 = 21,9 cm <sup>3</sup> /dev (cm <sup>3</sup> /rev)                     |
| 250 = 24,8 cm <sup>3</sup> /dev (cm <sup>3</sup> /rev)                     |
| 280 = 27,9 cm <sup>3</sup> /dev (cm <sup>3</sup> /rev)                     |
| 320 = 32,0 cm <sup>3</sup> /dev (cm <sup>3</sup> /rev)                     |
| 340 = 34,0 cm <sup>3</sup> /dev (cm <sup>3</sup> /rev)                     |
| 380 = 38,0 cm <sup>3</sup> /dev (cm <sup>3</sup> /rev)                     |
| 400 = 40,0 cm <sup>3</sup> /dev (cm <sup>3</sup> /rev)                     |

| Dönüş Yönü / Rotation |                               |
|-----------------------|-------------------------------|
| A                     | Sol dönüş / Counter-clockwise |
| C                     | Sağ dönüş / Clockwise         |
| R                     | Çift dönüş / Reversible       |

| Ön Yatak<br>Outboard Bearing |                 |
|------------------------------|-----------------|
| O                            | Var / Available |
|                              | Yok / Absent    |

| Keçe / Seal |       |
|-------------|-------|
| N           | NBR   |
| V           | Viton |

| Sızıntı Hattı<br>Drain Line |             |
|-----------------------------|-------------|
| G                           | G1/4"       |
| U                           | 7/16-20 UNF |
| M                           | M12x1,5     |

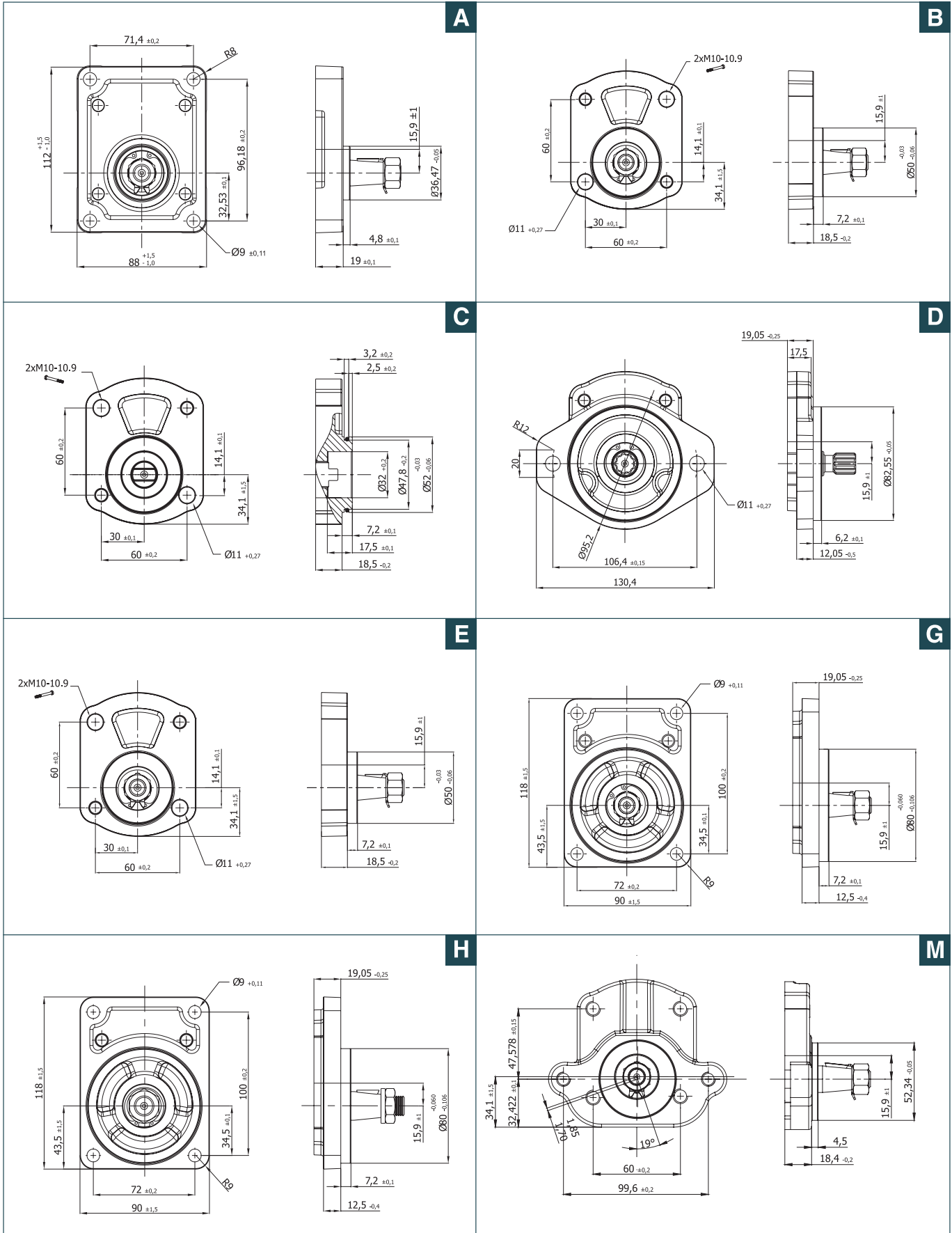
| Arka Kapak / Rear Cover |   |
|-------------------------|---|
| S                       | Standart<br>Standard  |
| E                       | Arkadan Dış Sızıntı Hattı<br>External Drain Rear Port                             |
| R1                      | Emniyet Valfi (10 - 90 Bar)<br>Relief Valve                                       |
| R2                      | Emniyet Valfi (70 - 140 Bar)<br>Relief Valve                                      |
| R3                      | Emniyet Valfi (120 - 190 Bar)<br>Relief Valve                                     |
| D                       | Akış Bölücü Valf<br>Flow Divider Valve  |
| H                       | Emniyet Valfli Akış Kontrol Valfi<br>Flow Control Valve With Relief Valve         |
| L                       | Yük Duyarlı Valf<br>Load Sensing Valve  |
| T                       | Çek Valf<br>Check Valve   |
| P                       | Arkadan Giriş-Çıkış<br>Rear Inlet-Outlet  |
| C                       | Basınç Kompansatörü Akış Kontrol Valfi<br>Flow Control Valve Pressure Compensated |

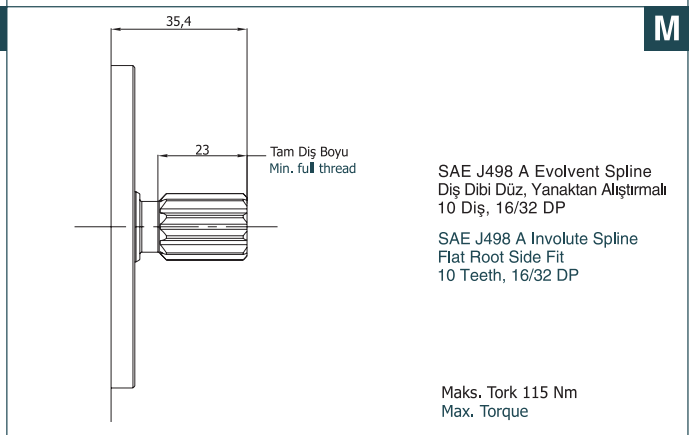
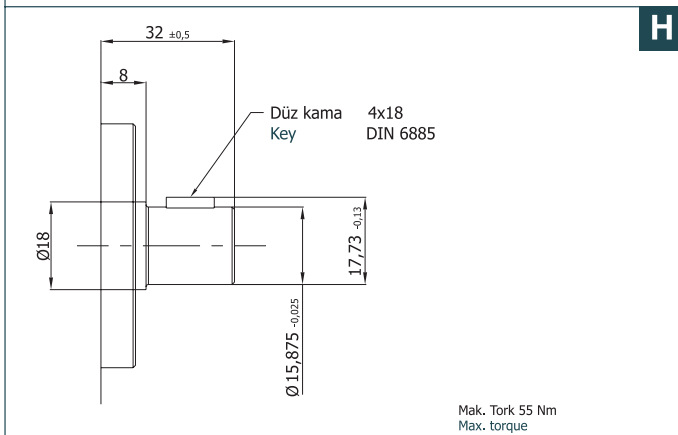
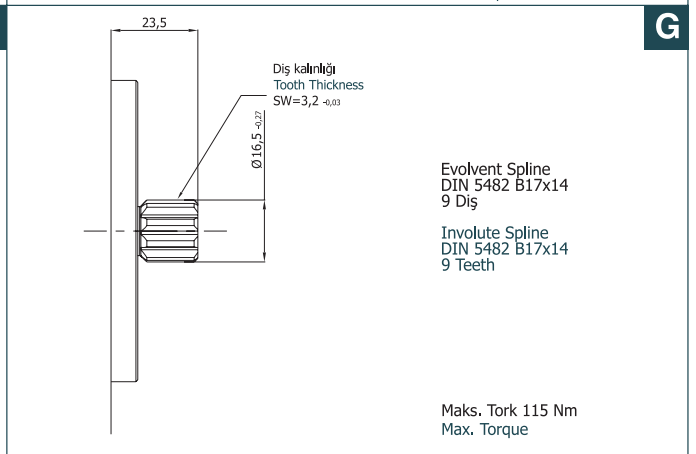
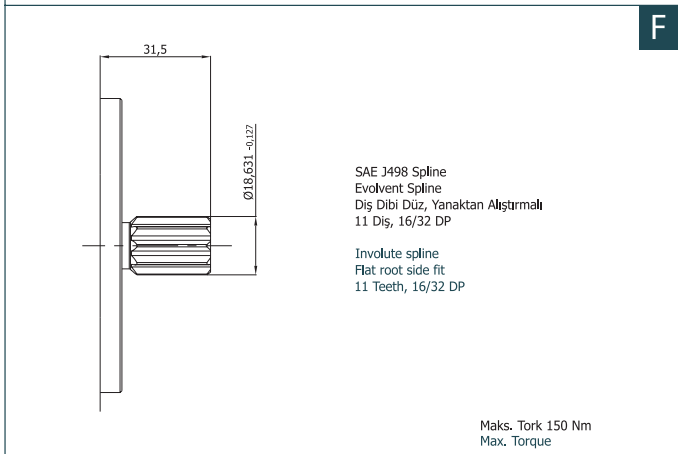
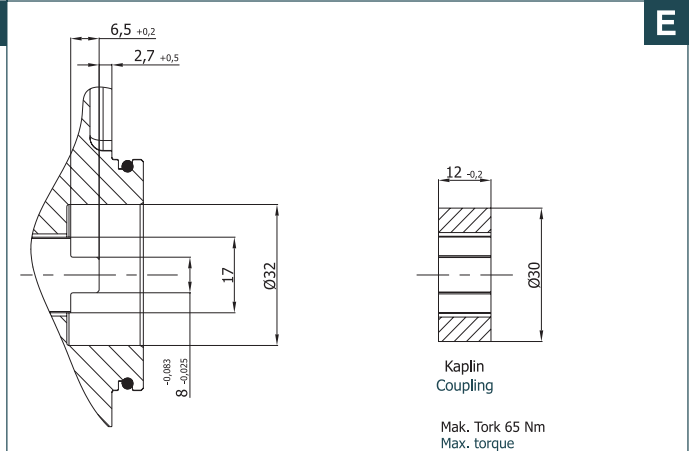
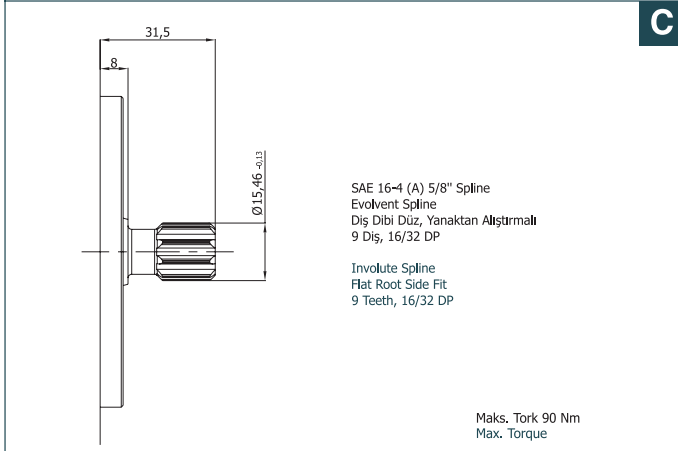
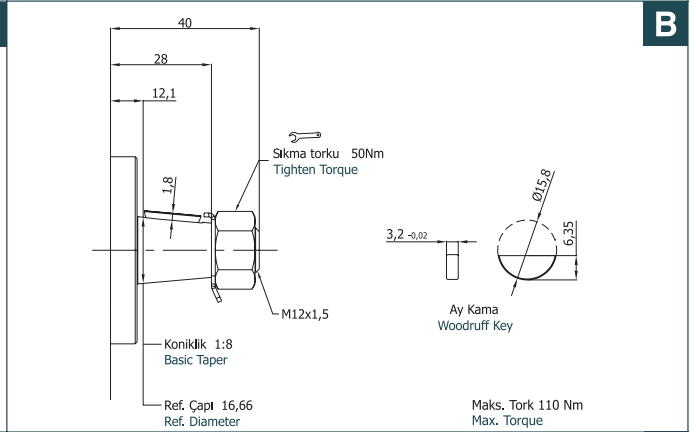
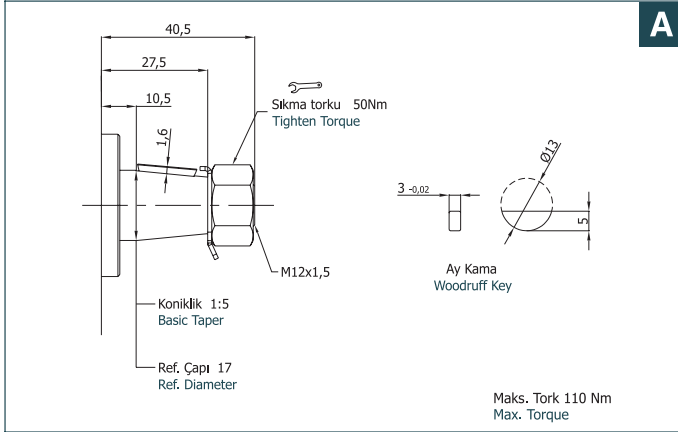
| Ön Kapak / Front Cover |  |           |
|------------------------|--|-----------|
| A                      | Dikdörtgen kapak<br>Square flange                                    | Ø36,47 mm |
| B                      | 2 Civatalı - Merkezleme<br>2 Bolts - Centering                       | Ø50 mm    |
| C                      | 2 Civatalı - Merkezleme ve oringli<br>2 Bolts - Centering with oring | Ø52 mm    |
| D                      | 2 Civatalı SAE 'A'<br>2 Bolts SAE 'A'                                | Ø82,55 mm |
| E                      | 2 Civatalı - Merkezleme<br>2 Bolts - Centering                       | Ø50 mm    |
| G                      | Dikdörtgen kapak<br>Square flange                                    | Ø80 mm    |
| H                      | Ön yataklı<br>Outboard bearing                                       | Ø80 mm    |
| K                      | 2 Civatalı SAE 'B'<br>2 Bolts SAE 'B'                                | Ø101,6 mm |
| M                      | 2 Civatalı - Merkezleme<br>2 Bolts - Centering                       | Ø52,34 mm |
| N                      | 4 Civatalı - Merkezleme O-ringli<br>4 Bolts - Centering O-ring       | Ø52 mm    |

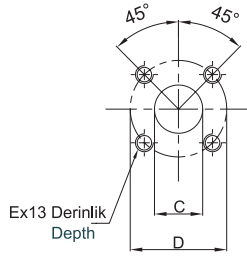
| Tahrik şaftı / Drive Shaft |  |     |
|----------------------------|--|-----|
| A                          | Konik - Kamalı<br>Tapered key shaft                          | 1:5 |
| B                          | Konik - Kamalı<br>Tapered key shaft                          | 1:8 |
| C                          | SAE spline şaft 9 diş<br>SAE spline shaft 9T                 |     |
| E                          | Kesik şaftlı<br>Tang drive shaft                             |     |
| F                          | SAE spline şaft 11 diş<br>SAE spline shaft 11T               |     |
| G                          | Spline şaft DIN 5482<br>Spline shaft (B17x14)                |     |
| H                          | Paralel şaft<br>Parallel shaft                               |     |
| K                          | Konik - Kamalı<br>Tapered key shaft                          | 1:5 |
| L                          | Konik - Kamalı<br>Tapered key shaft                          | 1:5 |
| M                          | SAE spline şaft J498 10 diş<br>SAE spline shaft 16/32 DP 10T |     |
| N                          | Konik - Kamalı<br>Tapered key shaft                          | 1:8 |
| T                          | Kesik şaftlı<br>Tang drive shaft                             |     |

| Giriş - Çıkış Delikleri / Inlet and Outlet Ports |  |
|--|--|
| 01   | Kare tip<br>Rectangular  |
| 02   | Baklava tip<br>Diamond   |
| 03   | Metrik dişli<br>ISO 6149 oring boss                                |
| 04   | UNF diş<br>UNF thread  |
| 05   | Boru diş<br>Pipe thread  |
| 06   | SAE Dikdörtgen Flanş Metrik diş<br>SAE Square Flange Thread Metric |

- Kodlama Örneği ; APM20.115.RAB02EGN  
Code Example

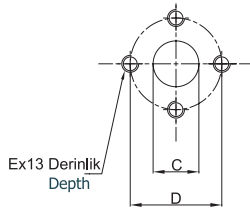






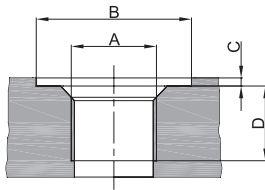
**01** Kare Tipi Flanş  
Rectangular Flange

| Sipariş Kodu<br>Ordering Code | İletim Hacmi<br>Displacement<br>cm <sup>3</sup> /dev (rev) | Emiş Tarafı<br>Suction Side |    |    | Basınç Tarafı<br>Pressure Side |    |    |
|-------------------------------|--|-----------------------------|----|----|--------------------------------|----|----|
|                               |  | C                           | D  | E  | c                              | d  | e  |
|                               | 4  | 12                          | 40 | M6 | 12                             | 35 | M6 |
|                               | 6  | 13,5                        |    |    | 13,5                           |    |    |
|                               | 8 - 25   | 20                          |    |    | 15                             |    |    |
|                               | 28 - 40  | 20                          | 20 | 40 |                                |    |    |
|                               | 4 - 16   | 15                          | 35 | M6 | 15                             | 35 | M6 |
|                               | 19 - 40  | 20                          | 40 |    | 20                             | 40 |    |



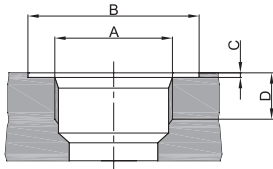
**02** Baklava Tipi Flanş  
Diamond Flange

| Sipariş Kodu<br>Ordering Code | İletim Hacmi<br>Displacement<br>cm <sup>3</sup> /dev (rev) | Emiş Tarafı<br>Suction Side |      |    | Basınç Tarafı<br>Pressure Side |      |    |
|-------------------------------|--|-----------------------------|------|----|--------------------------------|------|----|
|                               |  | C                           | D    | E  | c                              | d    | e  |
|                               | 4  | 12                          | 30,2 | M6 | 12                             | 30,2 | M6 |
|                               | 6 - 8  | 13,5                        |      |    | 13,5                           |      |    |
|                               | 9,5 - 25   | 20                          |      |    | 20                             |      |    |
|                               | 28 - 40  | 20                          | 40   | M8 |                                |      |    |
|                               | 4 - 16   | 13,5                        | 30,2 | M6 | 13,5                           | 30,2 | M6 |
|                               | 19 - 40  | 20                          | 40   |    | M8                             | 20   |    |



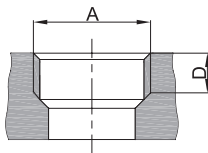
**03** Metrik diş / Thread, Oring Boss  
Metric ISO 6149 With Seal Ring

| Sipariş Kodu<br>Ordering Code | İletim Hacmi<br>Displacement<br>cm <sup>3</sup> /dev (rev) | Emiş Tarafı<br>Suction Side |    |     |         | Basınç Tarafı<br>Pressure Side |    |     |    |
|-------------------------------|--|-----------------------------|----|-----|---------|--------------------------------|----|-----|----|
|                               |  | A                           | B  | C   | D       | A                              | B  | C   | D  |
|                               | 4 - 6  | M18x1,5                     | 30 | 0,5 | 16      | M18x1,5                        | 30 | 0,5 | 16 |
|                               | 8 - 16   | M27x2                       | 40 |     | 19      | M22x1,5                        | 35 |     | 19 |
|                               | 19 - 40  | M33x2                       | 45 | 22  | M22x1,5 | 35                             | 19 |     |    |
|                               | 4 - 16   | M22x1,5                     | 35 | 0,5 | 19      | M22x1,5                        | 35 | 0,5 | 19 |
|                               | 19 - 40  | M26x1,5                     | 40 |     | 19      | M26x1,5                        | 40 |     | 19 |



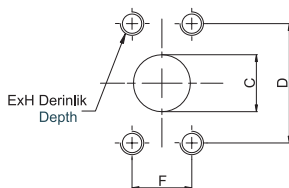
**04** Diş / Thread  
(UNF-2B) SAE Oring Boss

| Sipariş Kodu<br>Ordering Code | İletim Hacmi<br>Displacement<br>cm <sup>3</sup> /dev (rev) | Emiş Tarafı<br>Suction Side |    |     |    | Basınç Tarafı<br>Pressure Side |    |     |    |
|-------------------------------|--|-----------------------------|----|-----|----|--------------------------------|----|-----|----|
|                               |  | A                           | B  | C   | D  | A                              | B  | C   | D  |
|                               | 4 - 6  | 9/16-18 UNF-2B              | 25 | 0,5 | 13 | 9/16-18 UNF-2B                 | 25 | 0,5 | 13 |
|                               | 8  | 7/8-14 UNF-2B               | 35 |     | 16 | 7/8-14 UNF-2B                  | 35 |     | 16 |
|                               | 9,5 - 40   | 1 1/16-12 UNF-2B            | 45 |     | 19 | 7/8-14 UNF-2B                  | 35 |     | 16 |
|                               | 4 - 16   | 7/8-14 UNF-2B               | 35 | 0,5 | 16 | 7/8-14 UNF-2B                  | 35 | 0,5 | 16 |
|                               | 19 - 40  | 1 1/16-12 UNF-2B            | 45 |     | 19 | 1 1/16-12 UNF-2B               | 45 |     | 19 |



**05** Boru diş / Pipe Thread  
ISO228/1

| Sipariş Kodu<br>Ordering Code | İletim Hacmi<br>Displacement<br>cm <sup>3</sup> /dev (rev) | Emiş Tarafı<br>Suction Side |    | Basınç Tarafı<br>Pressure Side |    |
|-------------------------------|--|-----------------------------|----|--------------------------------|----|
|                               |  | A                           | D  | A                              | D  |
|                               | 4 - 16   | G ¾                         | 16 | G ½                            | 16 |
|                               | 19 - 40  | G 1                         |    | G ¾                            |    |
|                               | 4 - 16   | G ½                         | 16 | G ½                            | 16 |
|                               | 19 - 40  | G ¾                         |    | G ¾                            |    |



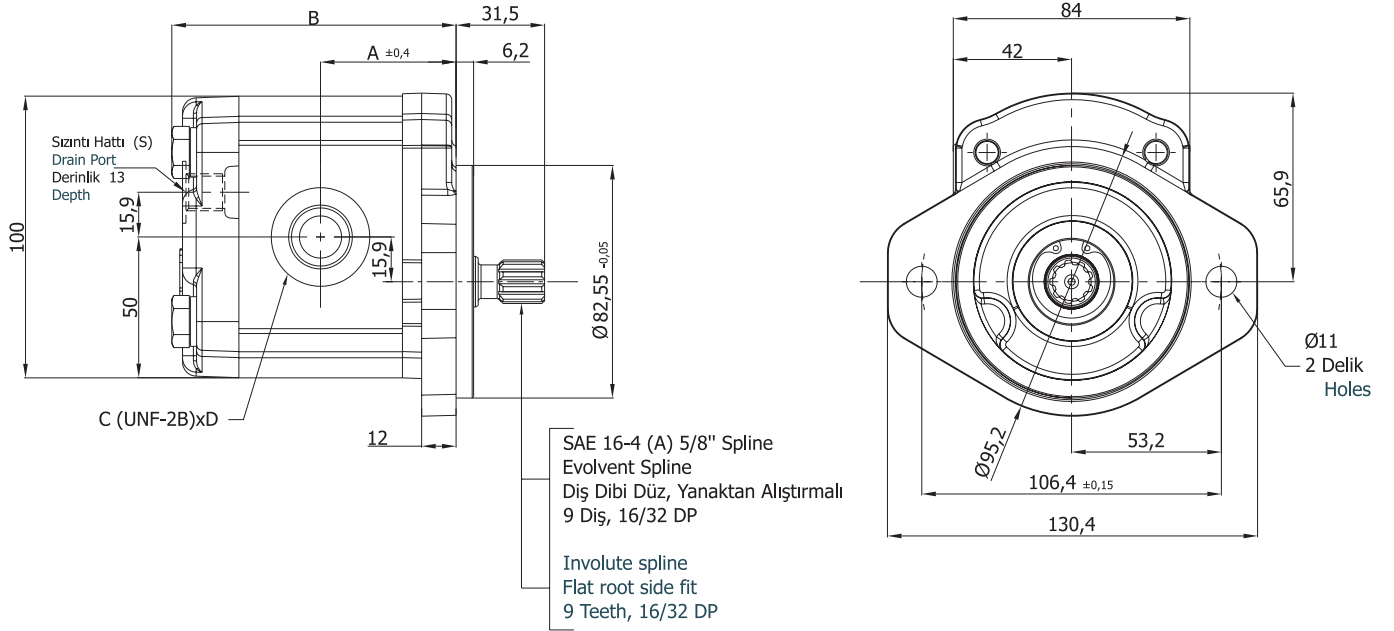
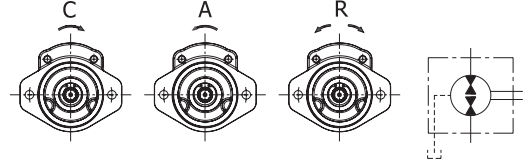
**06** SAE Dikdörtgen Flanş Metrik Diş  
SAE Square Flange Metric Thread

| Sipariş Kodu<br>Ordering Code | İletim Hacmi<br>Displacement<br>cm <sup>3</sup> /dev (rev) | Emiş Tarafı<br>Suction Side |      |     |      |    | Basınç Tarafı<br>Pressure Side |      |      |      |    |
|-------------------------------|--|-----------------------------|------|-----|------|----|--------------------------------|------|------|------|----|
|                               |  | C                           | D    | E   | F    | H  | c                              | d    | e    | f    | h  |
|                               | 4 - 11,5   | 12                          | 38,1 | M8  | 17,5 | 13 | 12                             | 38,1 | M8   | 17,5 | 13 |
|                               | 14 - 19  | 20                          | 47,6 |     | 22,2 |    | 20                             | 47,6 |      | 22,2 |    |
|                               | 22 - 40  | 26                          | 52,4 | M10 | 26,2 | 20 | 47,6                           | M10  | 22,2 | 16   |    |
|                               | 4 - 11,5   | 12                          | 38,1 | M8  | 17,5 | 13 | 12                             | 38,1 | M8   | 17,5 | 13 |
|                               | 14 - 22  | 20                          | 47,6 |     | 22,2 |    | 20                             | 47,6 |      | 22,2 |    |
|                               | 25 - 40  | 26                          | 52,4 | M10 | 26,2 | 26 | 52,4                           | M10  | 26,2 | 16   |    |



**D** Ön Kapak  
Front Cover

**C** Şaft Tipi  
Shaft Type

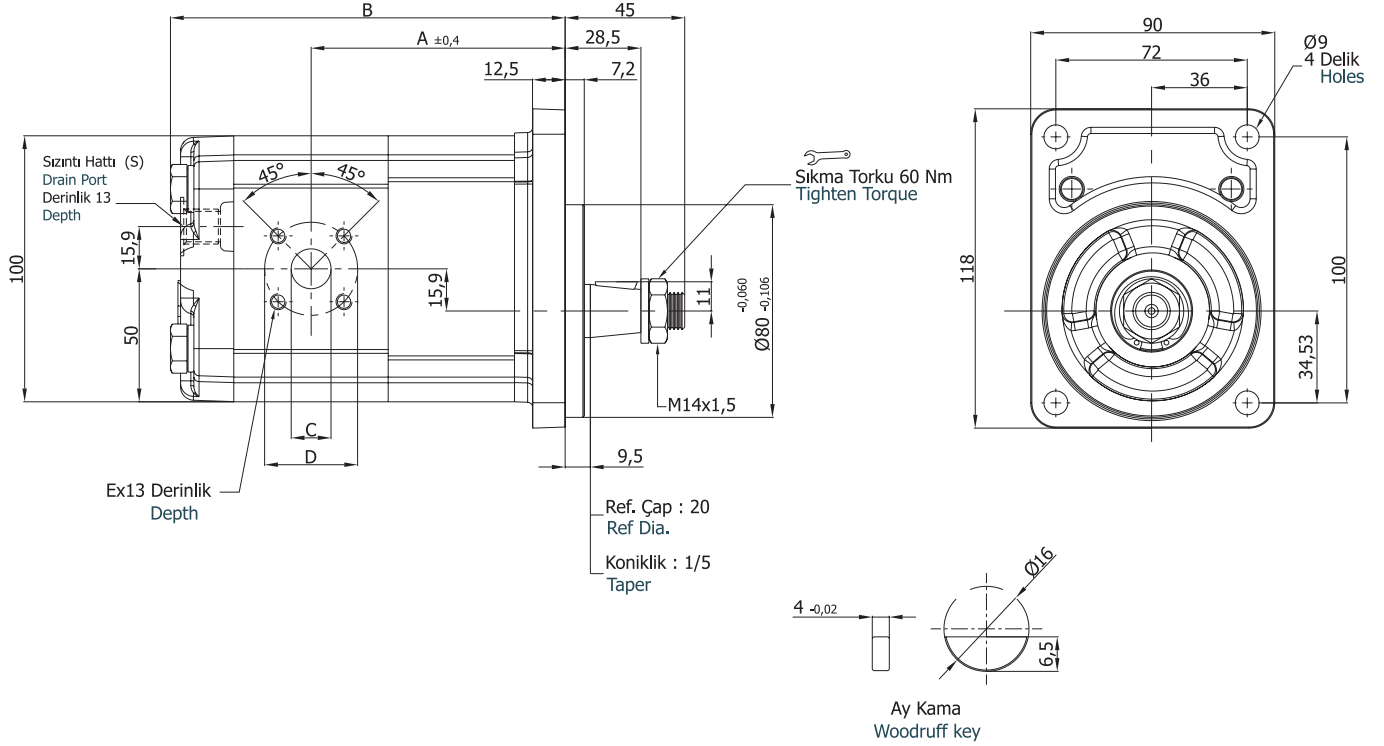
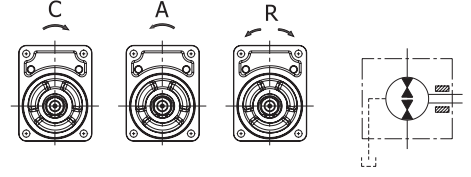


| Motor Tipi<br>Motor Type | İletim Hacmi<br>Displacement<br>cm <sup>3</sup> /dev(cm <sup>3</sup> /rev) | Maks. Basınç<br>Max. Pressure<br>(bar) | Maks. Hız<br>Max. Speed<br>d/d (rpm) | A ±0,4 | B     | Giriş/Çıkış – Inlet/Outlet |    | Sızıntı - Drain |      |       |
|--------------------------|--|--|--------------------------------------|--------|-------|----------------------------|----|-----------------|------|-------|
|                          |  |  |                                      |        |       | C                          | D  | S               |      |       |
| DKM20.040.RDC04EUN       | 3,9  | 280                                    | 3500                                 | 42,2   | 89,3  | 7/8-14 UNF                 | 15 | 7/16-20 UNF     |      |       |
| DKM20.060.RDC04EUN       | 5,9  |  |                                      | 43,8   | 92,4  |                            |    |                 |      |       |
| DKM20.080.RDC04EUN       | 8,0  |  |                                      | 45,4   | 95,6  |                            |    |                 |      |       |
| DKM20.095.RDC04EUN       | 9,4  |  |                                      | 46,5   | 97,9  |                            |    |                 |      |       |
| DKM20.115.RDC04EUN       | 11,4   |  |                                      | 48,2   | 101,0 |                            |    |                 |      |       |
| DKM20.140.RDC04EUN       | 13,9   |  |                                      | 50,0   | 105,0 |                            |    |                 |      |       |
| DKM20.160.RDC04EUN       | 16,0   | 240                                    | 3000                                 | 51,7   | 108,1 | 1 1/16-12 UNF              | 20 |                 |      |       |
| DKM20.190.RDC04EUN       | 19,2   |  |                                      | 60,2   | 125,1 |                            |    |                 |      |       |
| DKM20.220.RDC04EUN       | 21,9   |  |                                      | 62,3   | 129,5 |                            |    |                 |      |       |
| DKM20.250.RDC04EUN       | 24,8   |  |                                      | 64,8   | 134,6 |                            |    |                 |      |       |
| DKM20.280.RDC04EUN       | 27,9   |  |                                      | 220    | 2200  |                            |    |                 | 67,0 | 138,9 |
|                          |  |  |                                      |        |       |                            |    |                 | 200  | 2200  |



**H** Ön Kapak  
Front Cover

**K** Şaft Tipi  
Shaft Type



| Motor Tipi<br>Motor Type | İletim Hacmi<br>Displacement<br>cm <sup>3</sup> /dev(cm <sup>3</sup> /rev) | Maks. Basınç<br>Max. Pressure<br>(bar) | Maks. Hız<br>Max. Speed<br>d/d (rpm) | A ±0,4 | B     | Giriş/Çıkış – Inlet/Outlet |    |    | Sızıntı - Drain |
|--------------------------|--|--|--------------------------------------|--------|-------|----------------------------|----|----|-----------------|
|                          |  |  |                                      |        |       | C                          | D  | E  | S               |
| DKM20.040.RHK01EMON      | 3,9  | 280                                    | 3500                                 | 89,7   | 136,7 | 15                         | 35 | M6 | M12x1,5         |
| DKM20.060.RHK01EMON      | 5,9  |  |                                      | 91,2   | 139,8 |                            |    |    |                 |
| DKM20.080.RHK01EMON      | 8,0  |  |                                      | 92,8   | 142,9 |                            |    |    |                 |
| DKM20.095.RHK01EMON      | 9,4  |  |                                      | 94,0   | 145,2 |                            |    |    |                 |
| DKM20.115.RHK01EMON      | 11,4   |  |                                      | 95,5   | 148,4 |                            |    |    |                 |
| DKM20.140.RHK01EMON      | 13,9   | 260                                    | 3000                                 | 97,5   | 152,3 | 20                         | 40 | M6 | M12x1,5         |
| DKM20.160.RHK01EMON      | 16,0   |  |                                      | 99,0   | 155,4 |                            |    |    |                 |
| DKM20.190.RHK01EMON      | 19,2   |  |                                      | 107,5  | 172,4 |                            |    |    |                 |
| DKM20.220.RHK01EMON      | 21,9   | 190                                    | 2500                                 | 109,7  | 176,8 | 20                         | 40 | M6 | M12x1,5         |
| DKM20.250.RHK01EMON      | 24,8   | 160                                    |                                      | 112,3  | 181,9 |                            |    |    |                 |
| DKM20.280.RHK01EMON      | 27,9   |  |                                      | 114,5  | 186,2 |                            |    |    |                 |