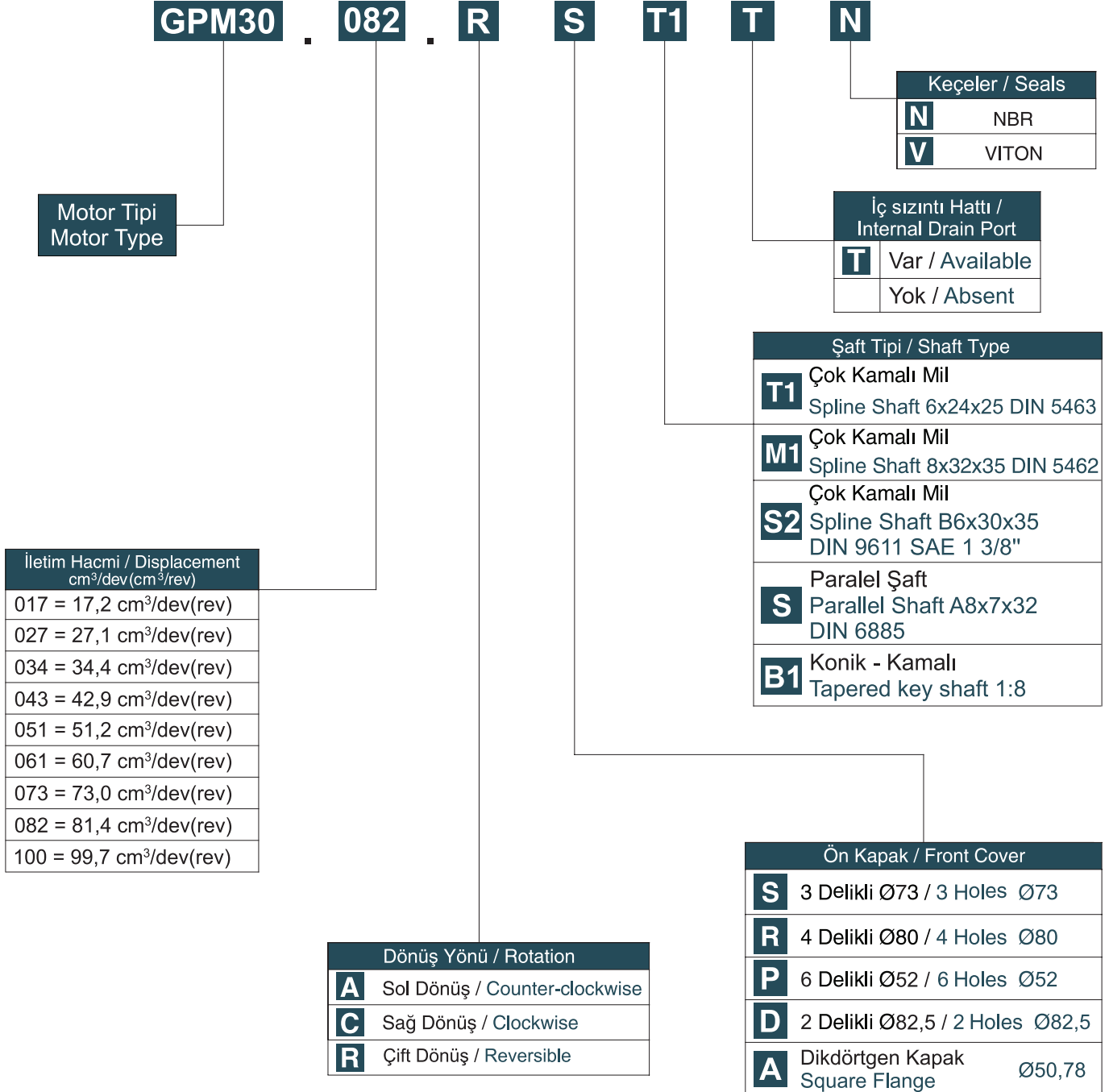
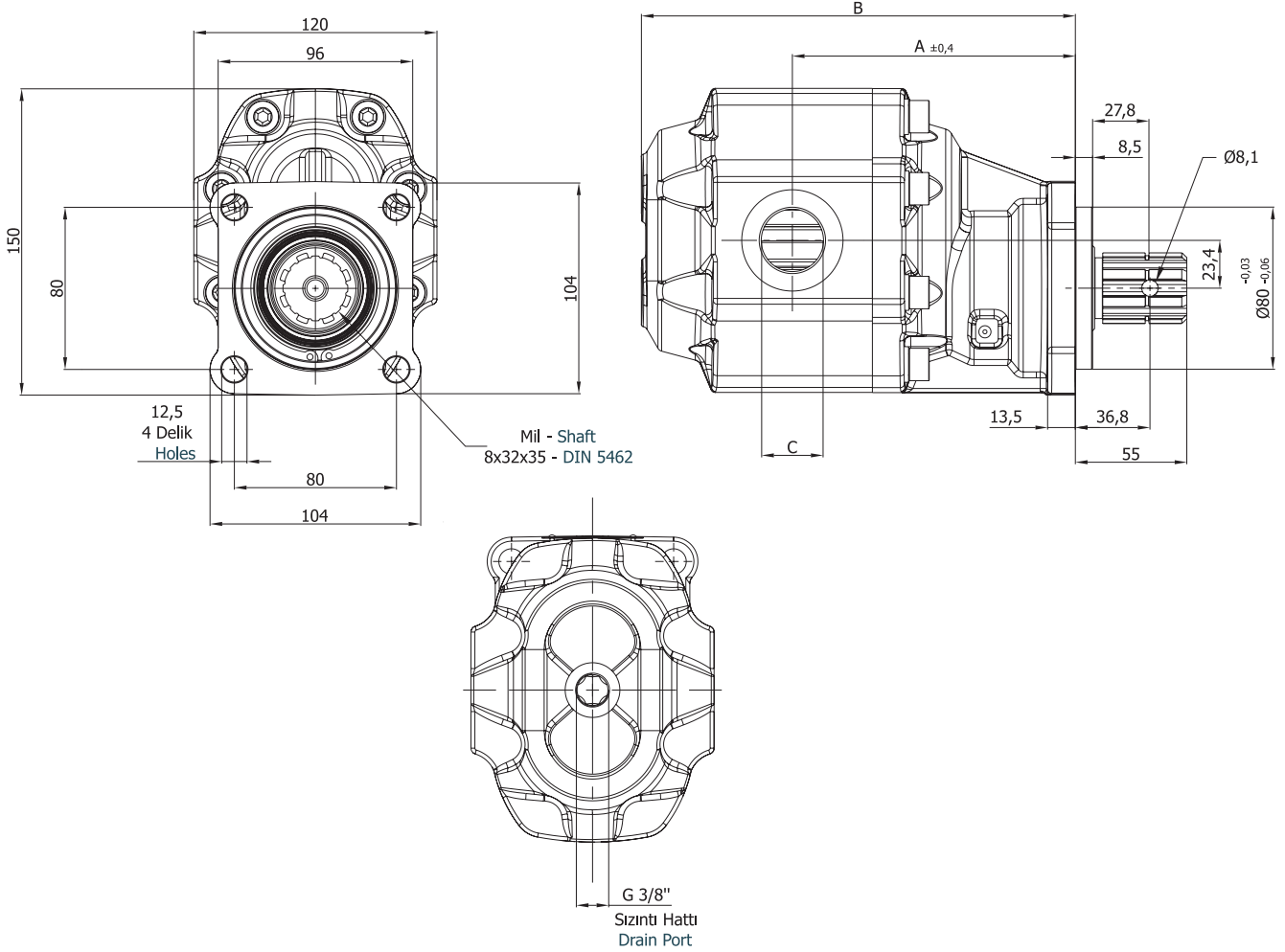
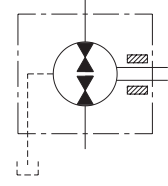
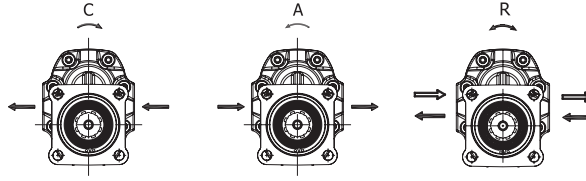


GPM30 MOTORLARIN KODLAMA SİSTEMİ
ORDERING CODE OF GPM30 MOTORS



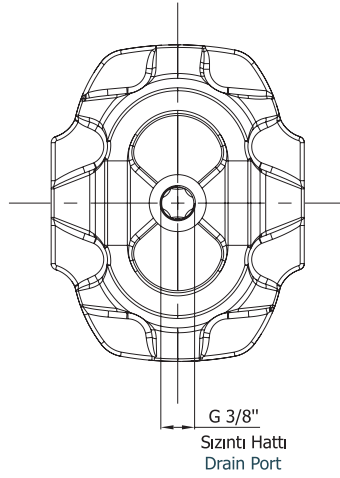
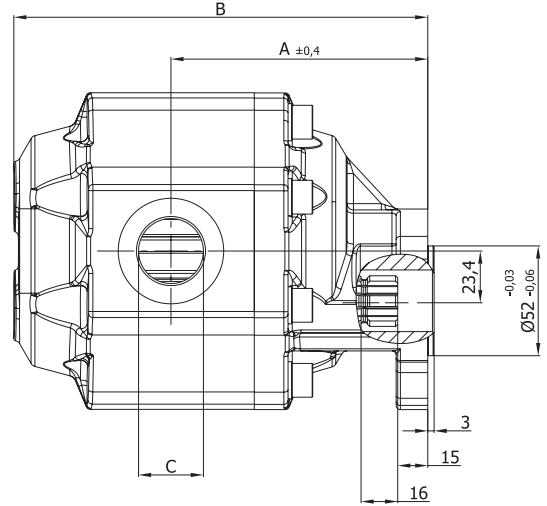
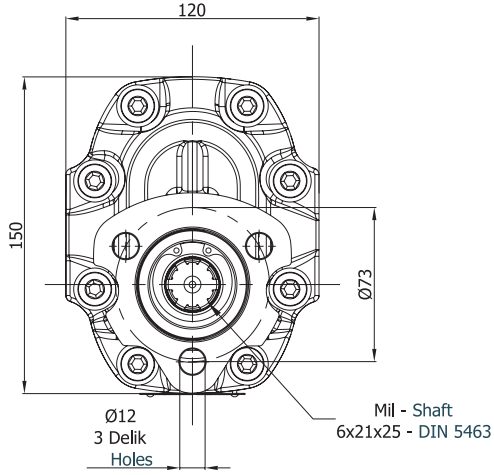
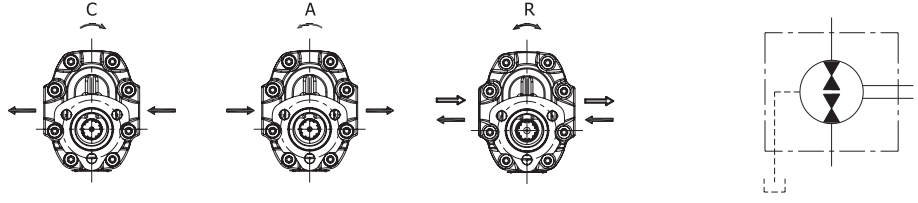
- Kodlama Örneği ; GPM30.082.RST1N
Code Example

ISO
TİPİ
TYPE



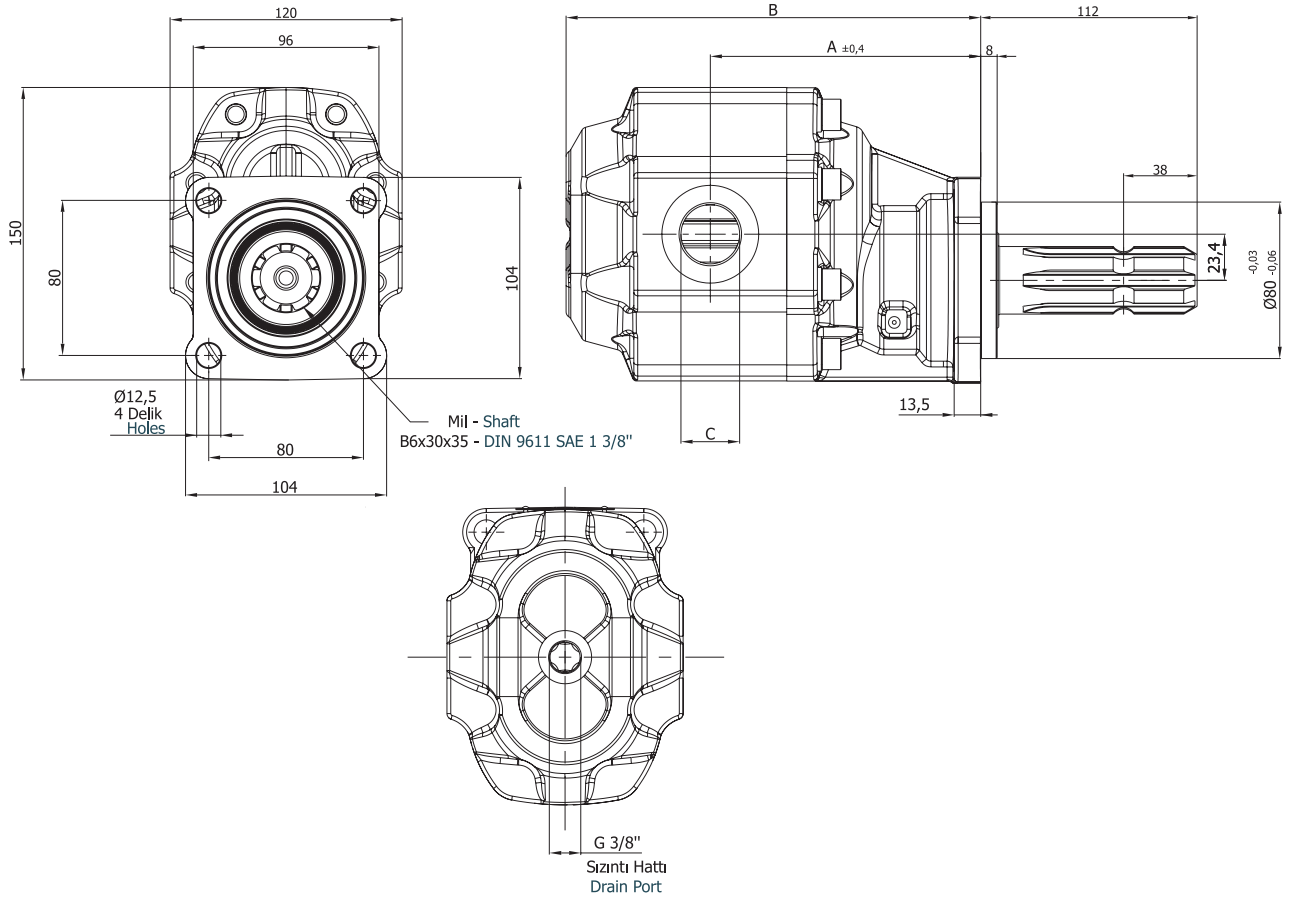
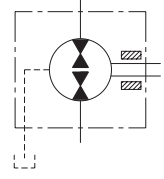
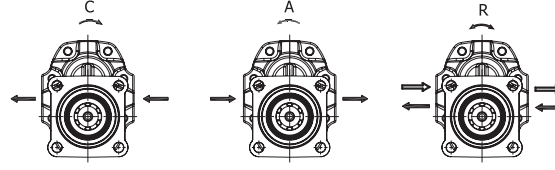
Motor Tipi Motor Type	İletim Hacmi Displacement cm ³ /dev (cm ³ /rev)	Maks. Basınç Max. Pressure (bar)	Maks. Hız Max. Speed d/d (rpm)	A	B	Giriş - Inlet	Çıkış - Outlet
						C	c
GPM30.017.RRM1N	17,2	300	3000	119,0	172,6	G 1/2"	G 1/2"
GPM30.027.RRM1N	27,1	290		122,2	179,0		
GPM30.034.RRM1N	34,4	280	2750	124,5	183,6	G 3/4"	G 3/4"
GPM30.043.RRM1N	42,9	270	2500	127,4	189,4		
GPM30.051.RRM1N	51,2	240		2000	129,5	193,5	G 1"
GPM30.061.RRM1N	60,7	220	1750	133,2	201,0		
GPM30.073.RRM1N	73,0	200		137,1	208,7		
GPM30.082.RRM1N	81,4	190		140,0	214,5	G 1-1/4"	G 1-1/4"
GPM30.100.RRM1N	99,7	180	145,8	226,1			

UNI
TİPİ
TYPE



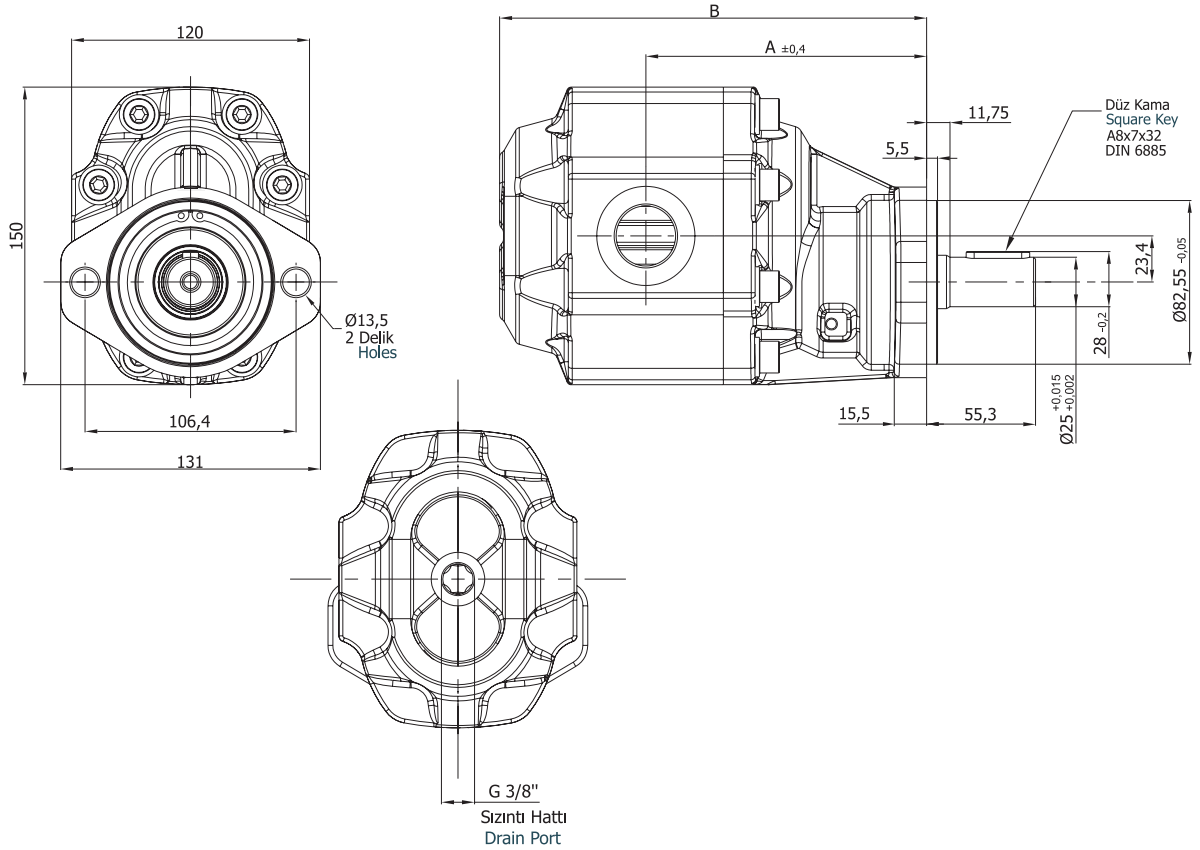
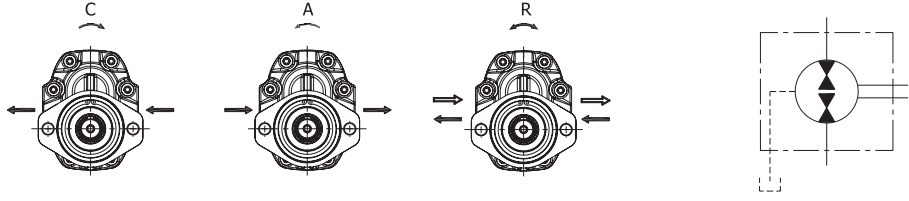
Motor Tipi Motor Type	İletim Hacmi Displacement cm ³ /dev(cm ³ /rev)	Maks. Basınç Max. Pressure (bar)	Maks. Hız Max. Speed d/d (rpm)	A ±0,4	B	Giriş – Inlet	Çıkış – Outlet
						C	c
GPM30.017.RST1N	17,2	300	3000	100,8	154,4	G 1/2"	G 1/2"
GPM30.027.RST1N	27,1	290		104,0	160,8		
GPM30.034.RST1N	34,4	280	2500	106,3	165,4	G 3/4"	G 3/4"
GPM30.043.RST1N	42,9	270		109,2	171,2		
GPM30.051.RST1N	51,2	240	2000	111,3	175,3	G 1"	G 1"
GPM30.061.RST1N	60,7	220		115,0	182,8		
GPM30.073.RST1N	73,0	200	1750	118,9	190,5	G 1-1/4"	G 1-1/4"
GPM30.082.RST1N	81,4	190		121,8	196,3		
GPM30.100.RST1N	99,7	180		127,6	207,9		

SAE
TİPİ
TYPE



Motor Tipi Motor Type	İletim Hacmi Displacement cm ³ /dev (cm ³ /rev)	Maks. Basınç Max. Pressure (bar)	Maks. Hız Max. Speed d/d (rpm)	A ±0,4	B	Giriş - Inlet	Çıkış - Outlet
						C	c
GPM30.017.RRS2N	17,2	300	3000	119,0	172,6	G 1/2"	G 1/2"
GPM30.027.RRS2N	27,1	290		122,2	179,0		
GPM30.034.RRS2N	34,4	280	2500	124,5	183,6	G 3/4"	G 3/4"
GPM30.043.RRS2N	42,9	270		127,4	189,4		
GPM30.051.RRS2N	51,2	240	2000	129,5	193,5	G 1"	G 1"
GPM30.061.RRS2N	60,7	220		133,2	201,0		
GPM30.073.RRS2N	73,0	200	1750	137,1	208,7	G 1-1/4"	G 1-1/4"
GPM30.082.RRS2N	81,4	190		140,0	214,5		
GPM30.100.RRS2N	99,7	180		145,8	226,1		

S TİPİ
TYPE



Motor Tipi Motor Type	İletim Hacmi Displacement cm ³ /dev(cm ³ /rev)	Maks. Basınç Max. Pressure (bar)	Maks. Hız Max. Speed d/d (rpm)	A	B	Giriş – Inlet	Çıkış - Outlet
						C	c
GPM30.017.RDSN	17,2	300	3000	121,0	174,6	G 1/2"	G 1/2"
GPM30.027.RDSN	27,1	290		104,0	181,0		
GPM30.034.RDSN	34,4	280	2500	106,3	185,6	G 3/4"	G 3/4"
GPM30.043.RDSN	42,9	270		109,2	191,4		
GPM30.051.RDSN	51,2	240	2000	111,3	195,5	G 1"	G 1"
GPM30.061.RDSN	60,7	220		115,0	203,0		
GPM30.073.RDSN	73,0	200	1750	118,9	210,7	G 1-1/4"	G 1-1/4"
GPM30.082.RDSN	81,4	190		121,8	216,5		
GPM30.100.RDSN	99,7	180		127,6	228,1		