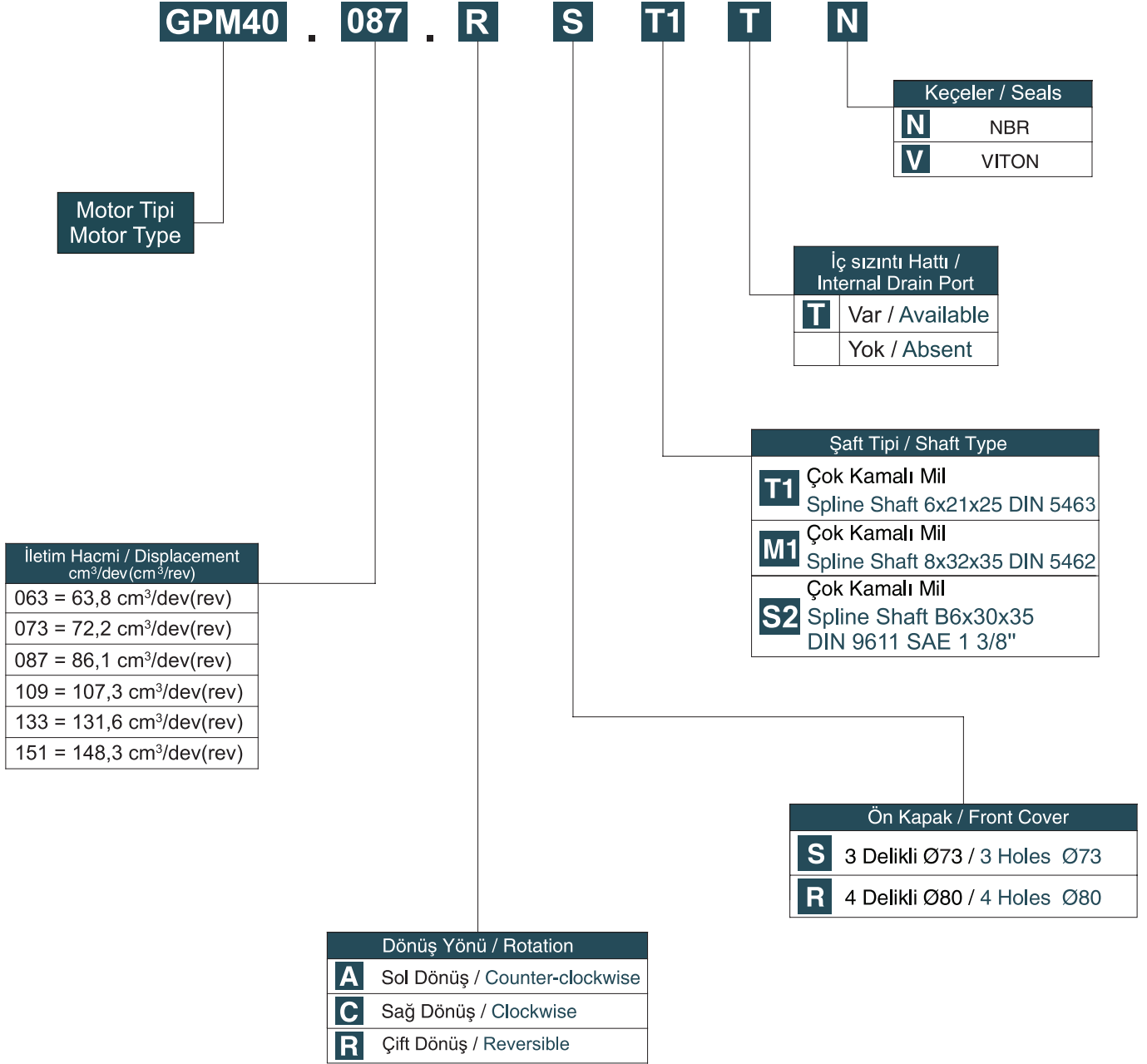
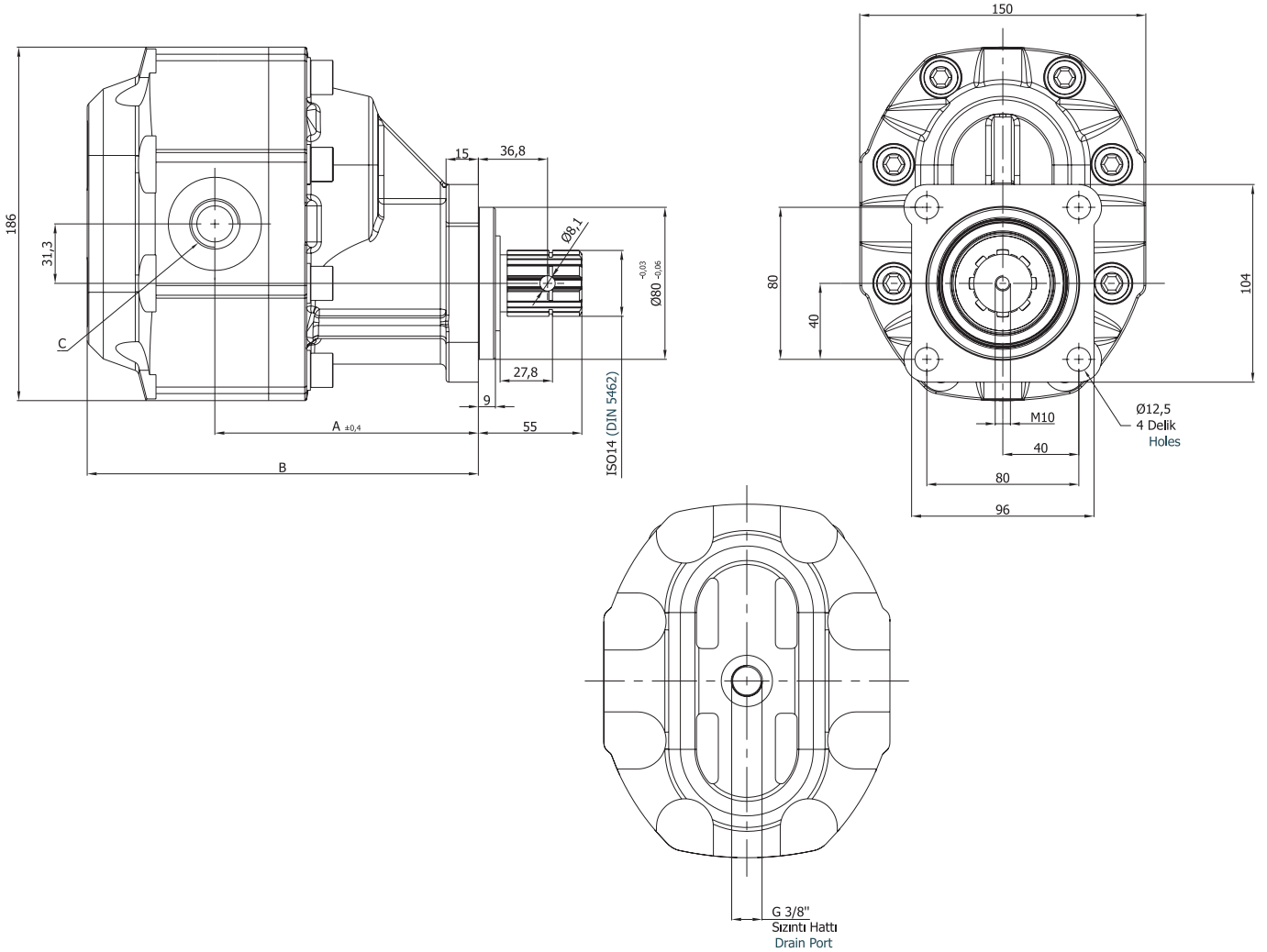
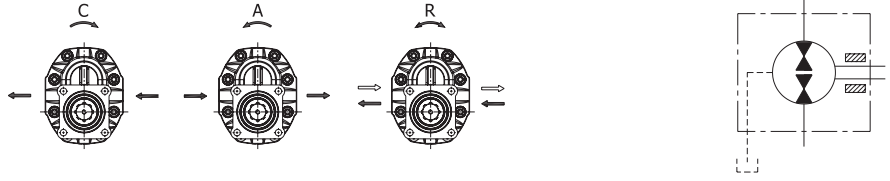


GPM40 MOTORLARIN KODLAMA SİSTEMİ ORDERING CODE OF GPM40 MOTORS

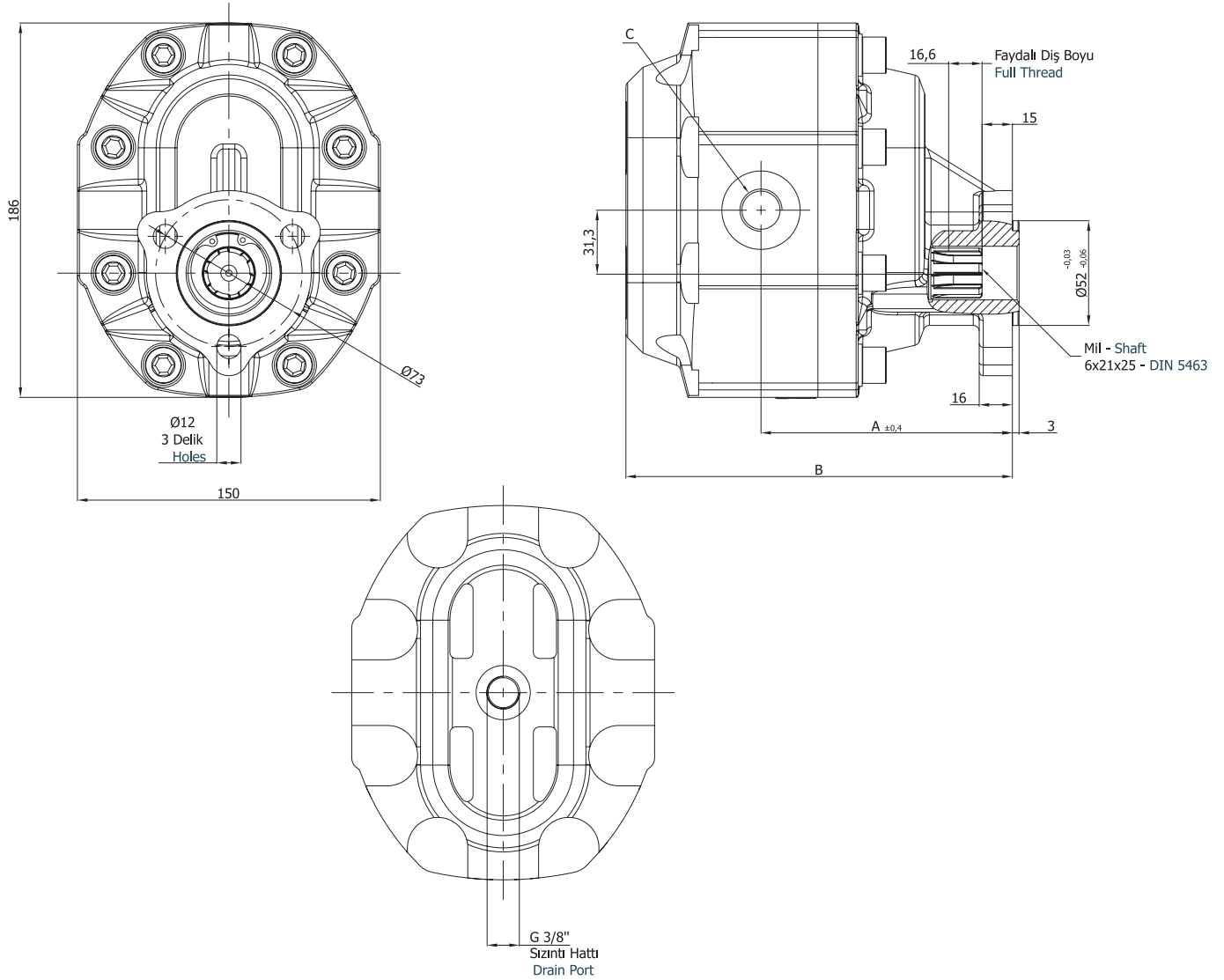
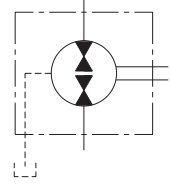
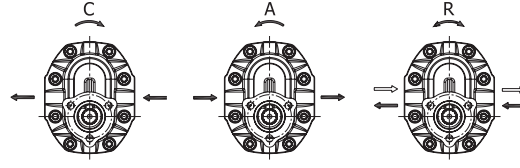


- Kodlama Örneği ; GPM40.087.RST1N
Code Example

ISO TIPI
TYPE

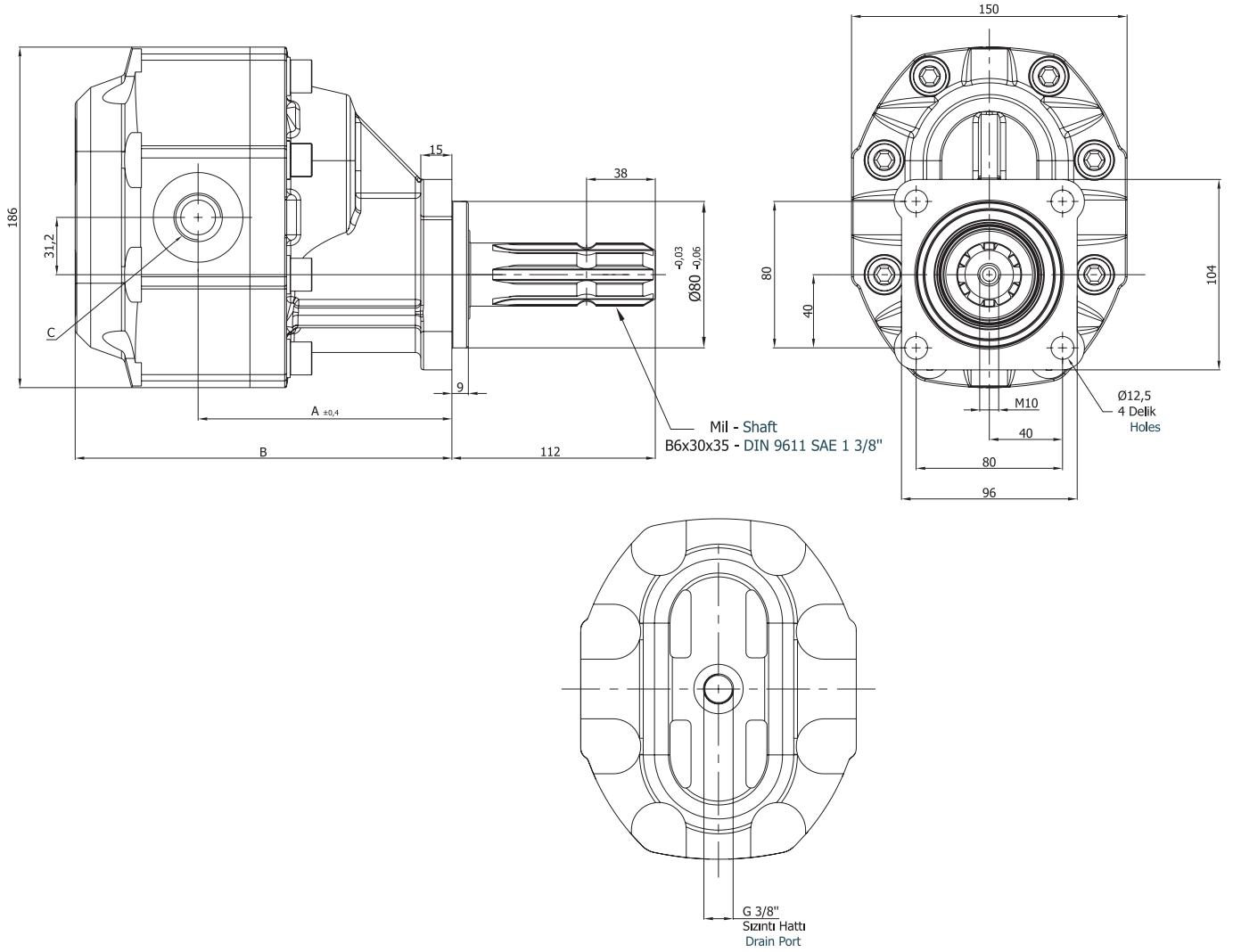
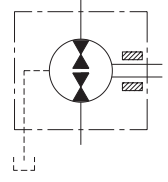
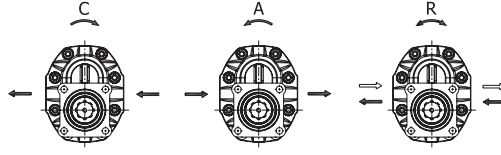


Motor Tipi Motor Type	İletim Hacmi Displacement cm ³ /dev (cm ³ /rev)	Maks. Basınç Max. Pressure (bar)	Maks. Hız Max. Speed d/d (rpm)	A	B	Giriş – Inlet	Çıkış - Outlet
						C	c
GPM40.063.RRM1N	63,8	280	2750	136,3	203,0	G 1"	G 1"
GPM40.073.RRM1N	72,2			137,3	204,6		
GPM40.087.RRM1N	86,1			141,0	209,6		
GPM40.109.RRM1N	107,3	240	2500	145,0	217,3	G 1-1/4"	G 1-1/4"
GPM40.133.RRM1N	131,6	220		148,0	225,9		
GPM40.151.RRM1N	148,3	180		153,3	232,3		

UNI TIPI
TYPE


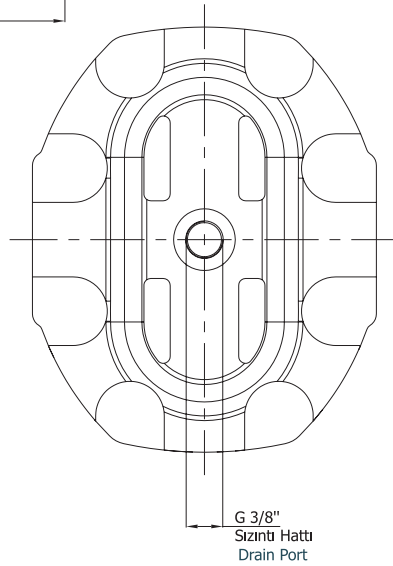
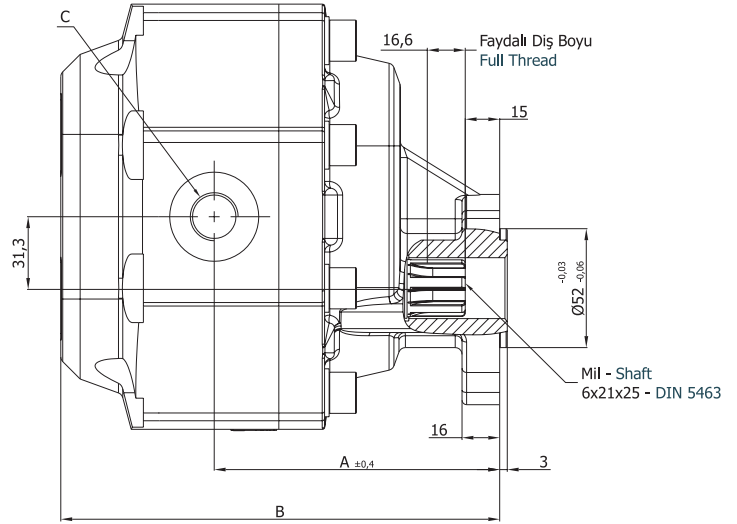
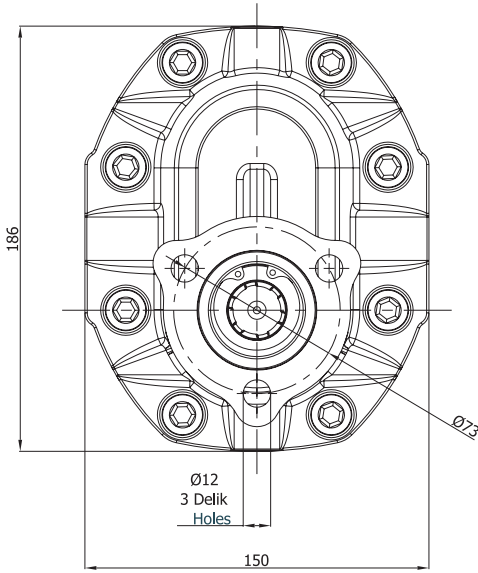
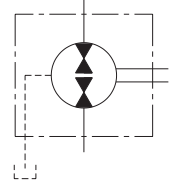
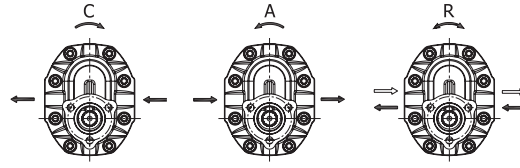
Motor Tipi Motor Type	İletim Hacmi Displacement cm ³ /dev (cm ³ /rev)	Maks. Basınç Max. Pressure (bar)	Maks. Hız Max. Speed d/d (rpm)	A	B	Giriş – Inlet	Çıkış - Outlet
						C	c
GPM40.063.RST1N	63,8	280	2750	124,0	190,7	G 1"	G 1"
GPM40.073.RST1N	72,2			125,0	192,3		
GPM40.087.RST1N	86,1			128,7	197,3		
GPM40.109.RST1N	107,3	240	2500	132,7	205,0	G 1-1/4"	G 1-1/4"
GPM40.133.RST1N	131,6	220		135,7	213,6		
GPM40.151.RST1N	148,3	180		141,0	220,0		

SAE TİPİ
TYPE



Motor Tipi Motor Type	İletim Hacmi Displacement cm ³ /dev (cm ³ /rev)	Maks. Basınç Max. Pressure (bar)	Maks. Hız Max. Speed d/d (rpm)	A	B	Giriş - Inlet	Çıkış - Outlet
						C	c
GPM40.063.RRS2N	63,8	280	2750	136,3	203,0	G 1"	G 1"
GPM40.073.RRS2N	72,2			137,3	204,6		
GPM40.087.RRS2N	86,1	260		141,0	209,6		
GPM40.109.RRS2N	107,3	240	2500	145,0	217,3	G 1-1/4"	G 1-1/4"
GPM40.133.RRS2N	131,6	220		148,0	225,9		
GPM40.151.RRS2N	148,3	180		153,3	232,3		

UNI
TIPI
TYPE



Motor Tipi Motor Type	İletim Hacmi Displacement cm ³ /dev (cm ³ /rev)	Maks. Basınç Max. Pressure (bar)	Maks. Hız Max. Speed d/d (rpm)	A	B	Giriş – Inlet	Çıkış - Outlet
						C	c
GPM40.063.RST1N	63,8	280	2750	124,0	190,7	G 1"	G 1"
GPM40.073.RST1N	72,2			125,0	192,3		
GPM40.087.RST1N	86,1			128,7	197,3		
GPM40.109.RST1N	107,3	240	2500	132,7	205,0	G 1-1/4"	G 1-1/4"
GPM40.133.RST1N	131,6	220		135,7	213,6		
GPM40.151.RST1N	148,3	180		141,0	220,0		