

GP30 POMPALARIN KODLAMA SİSTEMİ  
ORDERING CODE OF GP30 PUMPS

**GP30 . 082/082 . C S T1 T N**

Keçeler / Seals

<b>N</b>	NBR
<b>V</b>	VITON

İç sızıntı Hattı /  
Internal Drain Port

<b>T</b>	Var / Available
	Yok / Absent

Şaft Tipi / Shaft Type

<b>T1</b>	Çok Kamalı Mil Spline Shaft 6x24x25 DIN 5463
<b>M1</b>	Çok Kamalı Mil Spline Shaft 8x32x35 DIN 5462
<b>S2</b>	Çok Kamalı Mil Spline Shaft B6x30x35 DIN 9611 SAE 1 3/8"
<b>S</b>	Paralel Şaft Parallel Shaft A8x7x32 DIN 6885
<b>B1</b>	Konik - Kamalı Tapered key shaft 1:8

Ön Kapak / Front Cover

<b>S</b>	3 Delikli Ø73 / 3 Holes Ø73
<b>R</b>	4 Delikli Ø80 / 4 Holes Ø80
<b>P</b>	6 Delikli Ø52 / 6 Holes Ø52
<b>D</b>	2 Delikli Ø82,5 / 2 Holes Ø82,5
<b>A</b>	Dikdörtgen Kapak Square Flange Ø50,78

**GP30** Yandan Giriş-Çıkış  
Side Inlet-Outlet

**GPR30** Arkadan Giriş-Çıkış  
Rear Inlet-Outlet

İletim Hacmi / Displacement  
cm<sup>3</sup>/dev (cm<sup>3</sup>/rev)

017 = 17,2 cm <sup>3</sup> /dev(rev)
027 = 27,1 cm <sup>3</sup> /dev(rev)
034 = 34,4 cm <sup>3</sup> /dev(rev)
043 = 42,9 cm <sup>3</sup> /dev(rev)
051 = 51,2 cm <sup>3</sup> /dev(rev)
061 = 60,7 cm <sup>3</sup> /dev(rev)
073 = 73,0 cm <sup>3</sup> /dev(rev)
082 = 81,4 cm <sup>3</sup> /dev(rev)
100 = 99,7 cm <sup>3</sup> /dev(rev)

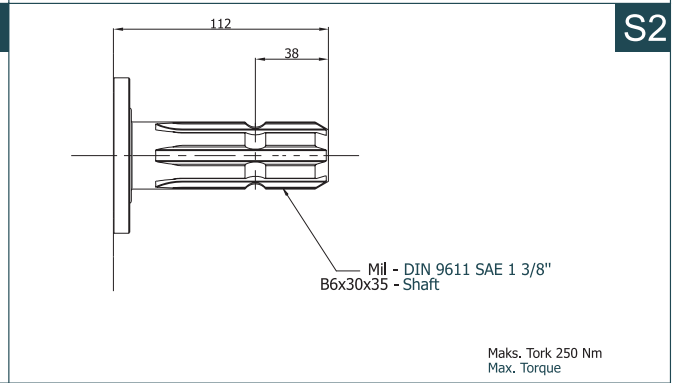
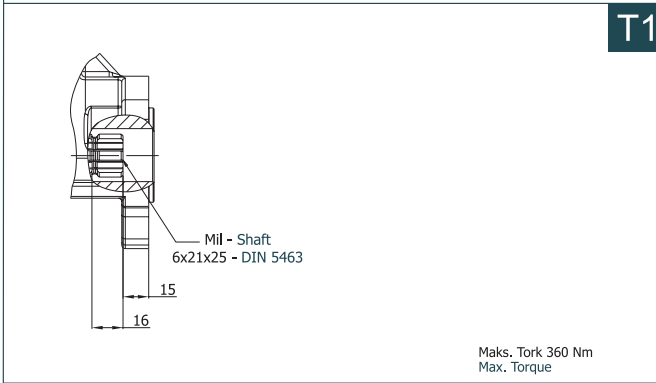
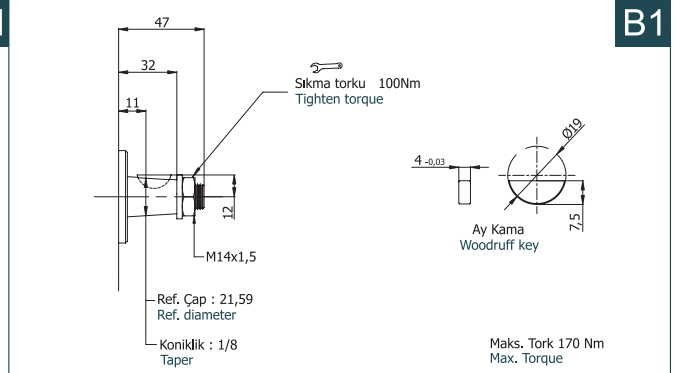
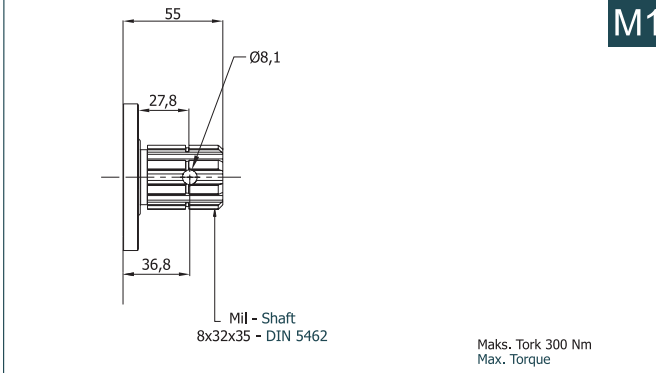
Dönüş Yönü / Rotation

<b>A</b>	Sol Dönüş / Counter-clockwise
<b>C</b>	Sağ Dönüş / Clockwise
<b>R</b>	Çift Dönüş / Reversible

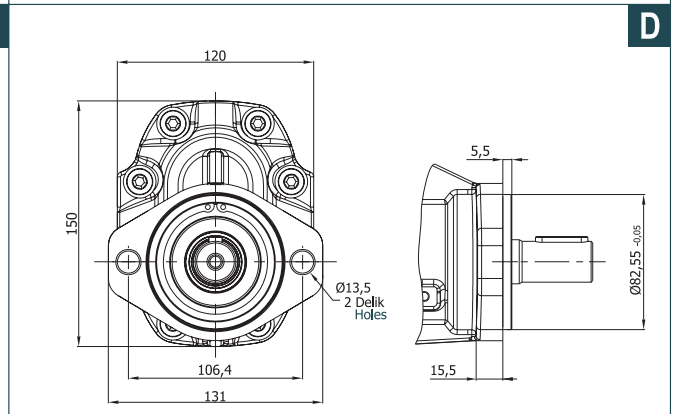
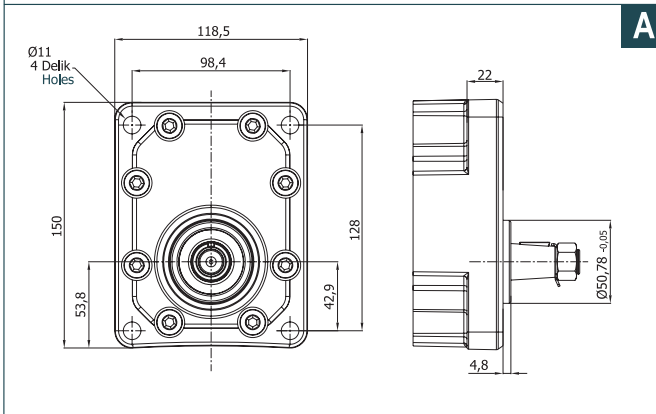
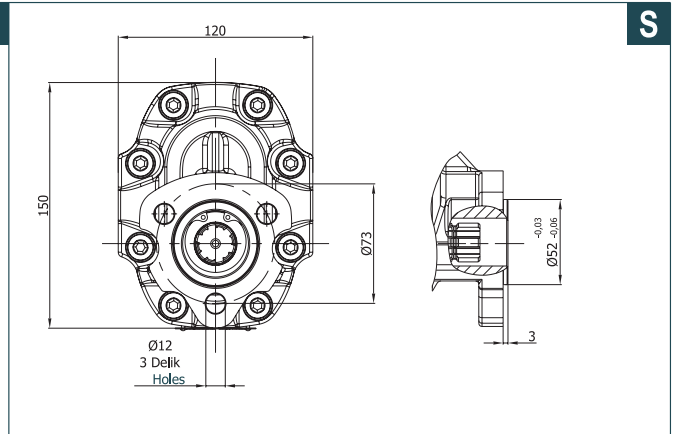
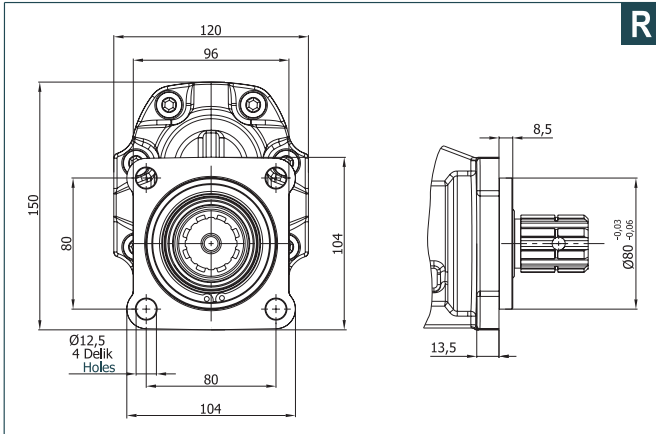
- Kodlama Örneği (Tekli) ; GP30.082.CST1N  
Code Example (Single)

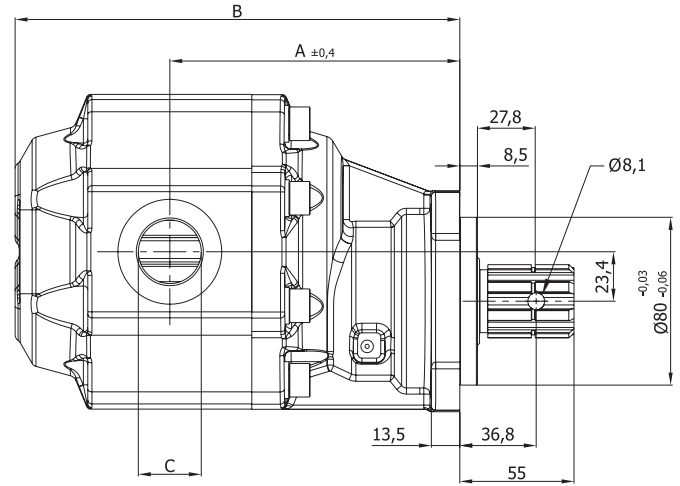
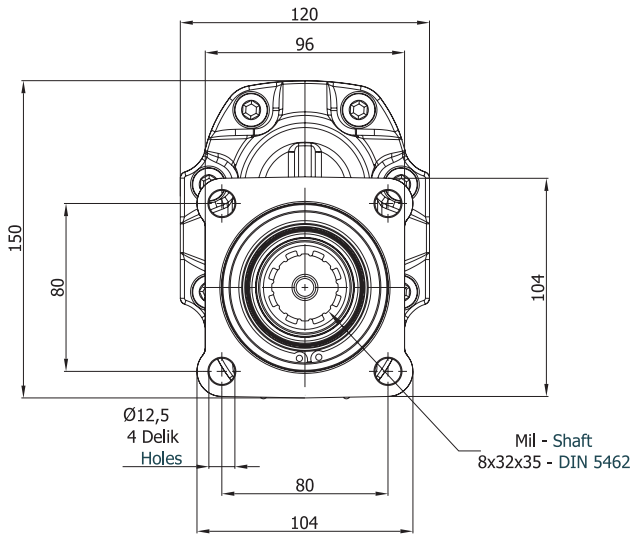
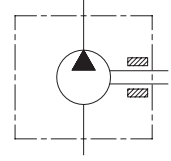
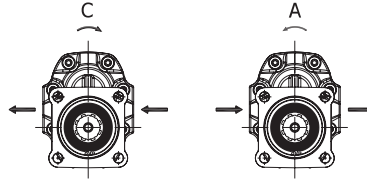
- Kodlama Örneği (Tandem) ; GP30.082/082.CST1N  
Code Example (Tandem)

GP30 ŞAFT TİPLERİ / GP30 SHAFT TYPES



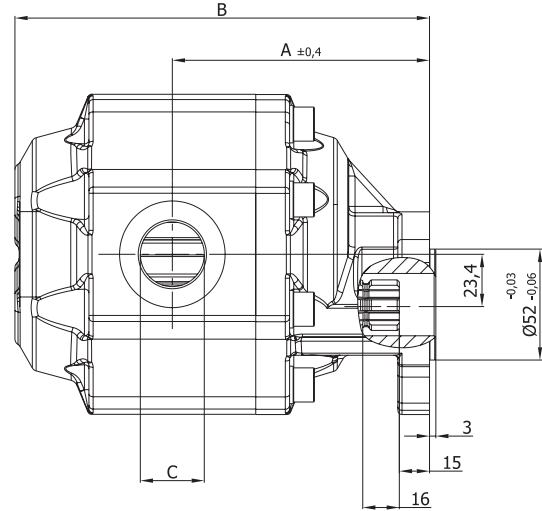
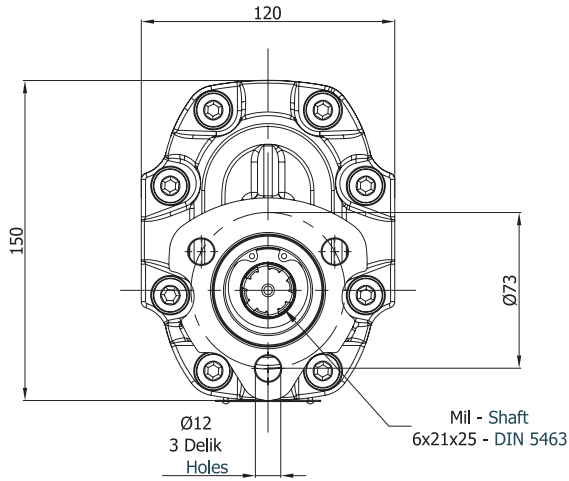
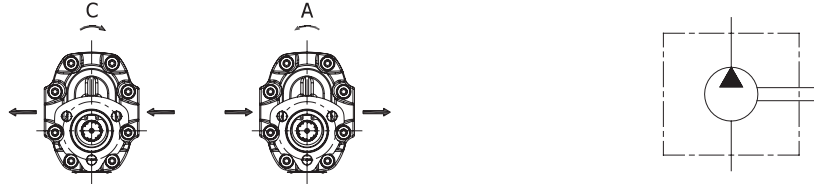
GP30 ÖN KAPAKLAR / GP30 FRONT COVERS



ISO  
TİPİ  
TYPE

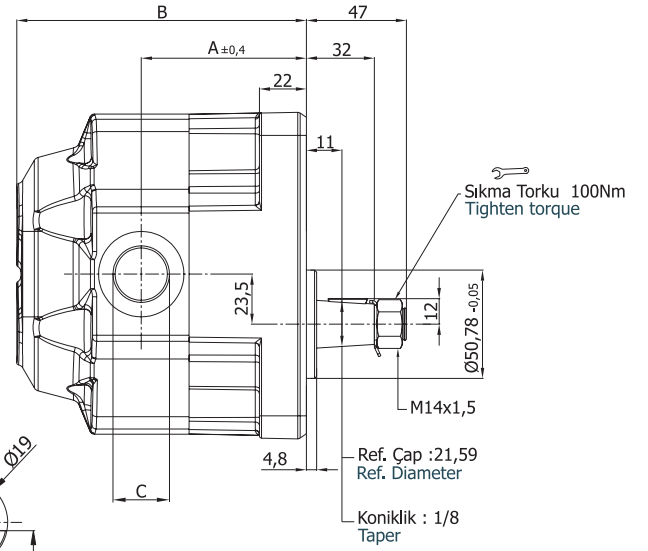
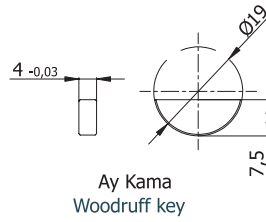
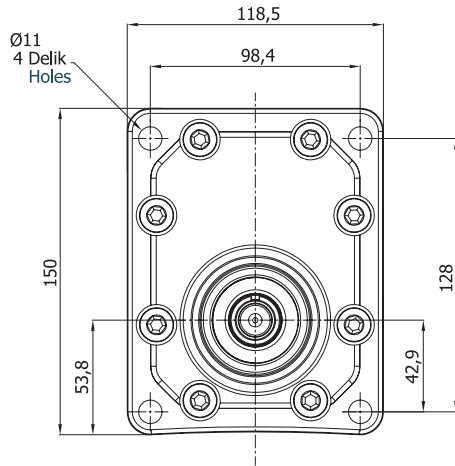
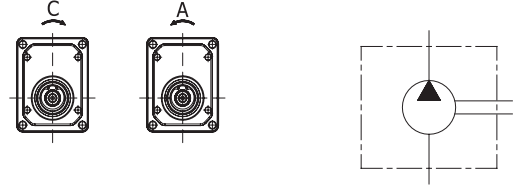
Pompa Tipi Pump Type	İletim Hacmi Displacement cm <sup>3</sup> /dev(cm <sup>3</sup> /rev)	Maks. Basıç Max. Pressure (bar)	Maks. Hız Max. Speed d/d (rpm)	A ±0,4	B	Giriş – Inlet	Çıkış - Outlet
						C	c
GP30.017.CRM1N	17,2	300	3000	119,0	172,6	G 1/2"	G 1/2"
GP30.017.ARM1N							
GP30.027.CRM1N	27,1	290	2750	122,2	179,0	G 3/4"	G 3/4"
GP30.027.ARM1N							
GP30.034.CRM1N	34,4	280	2500	124,5	183,6	G 1"	G 1"
GP30.034.ARM1N							
GP30.043.CRM1N	42,9	270	1750	127,4	189,4	G 1-1/4"	G 1-1/4"
GP30.043.ARM1N							
GP30.051.CRM1N	51,2	240	2000	129,5	193,5	G 1-1/4"	G 1-1/4"
GP30.051.ARM1N							
GP30.061.CRM1N	60,7	220	1750	133,2	201,0	G 1-1/4"	G 1-1/4"
GP30.061.ARM1N							
GP30.073.CRM1N	73,0	200	1750	137,1	208,7	G 1-1/4"	G 1-1/4"
GP30.073.ARM1N							
GP30.082.CRM1N	81,4	190	1750	140,0	214,5	G 1-1/4"	G 1-1/4"
GP30.082.ARM1N							
GP30.100.CRM1N	99,7	180	1750	145,8	226,1	G 1-1/4"	G 1-1/4"
GP30.100.ARM1N							

UNI  
TIPI  
TYPE



Pompa Tipi Pump Type	İletim Hacmi Displacement cm <sup>3</sup> /dev(cm <sup>3</sup> /rev)	Maks. Basınç Max. Pressure (bar)	Maks. Hız Max. Speed d/d (rpm)	A ±0,4	B	Giriş – Inlet	Çıkış - Outlet
						C	c
GP30.017.CST1N	17,2	300	3000	100,8	154,4	G 1/2"	G 1/2"
GP30.017.AST1N							
GP30.027.CST1N	27,1	290	2750	104,0	160,8	G 3/4"	G 3/4"
GP30.027.AST1N							
GP30.034.CST1N	34,4	280	2500	106,3	165,4	G 1"	G 1"
GP30.034.AST1N							
GP30.043.CST1N	42,9	270	2000	109,2	171,2	G 1-1/4"	G 1-1/4"
GP30.043.AST1N							
GP30.051.CST1N	51,2	240	1750	111,3	175,3	G 1-1/4"	G 1-1/4"
GP30.051.AST1N							
GP30.061.CST1N	60,7	220	1750	115,0	182,8	G 1-1/4"	G 1-1/4"
GP30.061.AST1N							
GP30.073.CST1N	73,0	200	1750	118,9	190,5	G 1-1/4"	G 1-1/4"
GP30.073.AST1N							
GP30.082.CST1N	81,4	190	1750	121,8	196,3	G 1-1/4"	G 1-1/4"
GP30.082.AST1N							
GP30.100.CST1N	99,7	180	1750	127,6	207,9	G 1-1/4"	G 1-1/4"
GP30.100.AST1N							

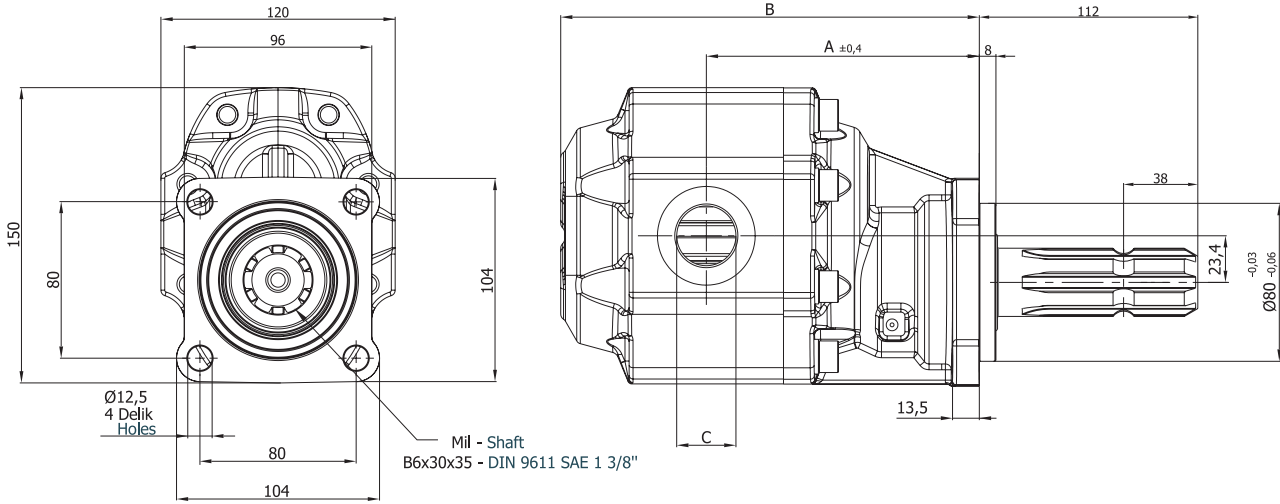
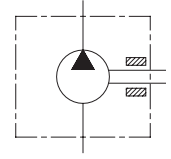
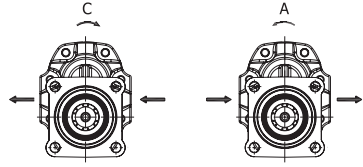
**A** Ön Kapak  
Front Cover

**B1** Şaft Tipi  
Shaft Type


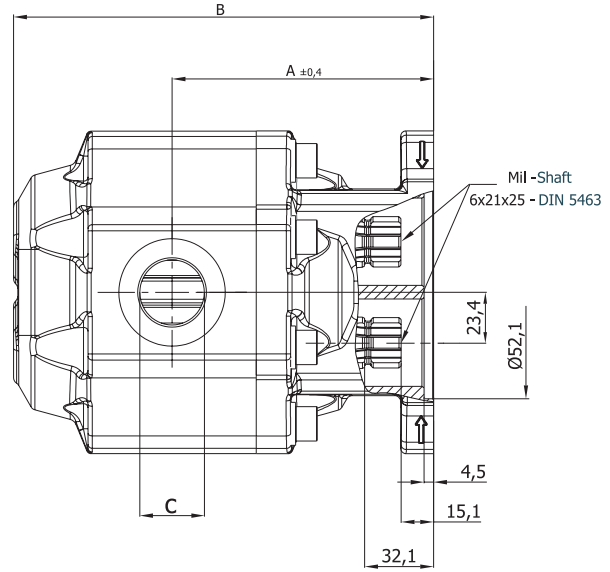
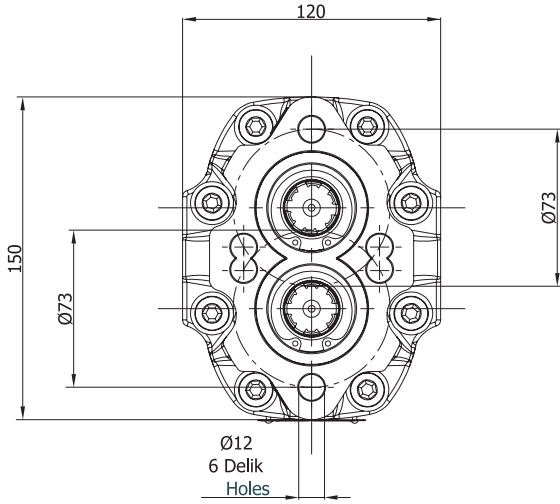
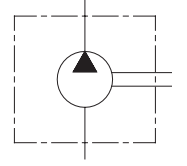
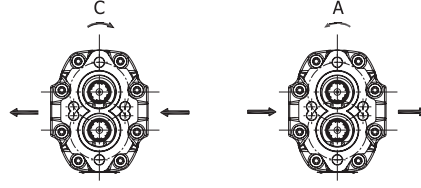
Sıkma Torku 100Nm  
Tighten torque

M14x1,5  
Ref. Çap :21,59  
Ref. Diameter  
Koniklik : 1/8  
Taper

Pompa Tipi Pump Type	İletim Hacmi Displacement cm <sup>3</sup> /dev(cm <sup>3</sup> /rev)	Maks. Basınç Max. Pressure (bar)	Maks. Hız Max. Speed d/d (rpm)	A ±0,4	B	Giriş – Inlet	Çıkış - Outlet
						C	c
GP30.017.CAB1N	17,2	300	3000	73,5	127,2	G 1/2"	G 1/2"
GP30.017.AAB1N							
GP30.027.CAB1N	27,1	290	2750	76,7	133,5	G 3/4"	G 3/4"
GP30.027.AAB1N							
GP30.034.CAB1N	34,4	280	2500	79,0	138,2	G 1"	G 1"
GP30.034.AAB1N							
GP30.043.CAB1N	42,9	270	2000	81,9	144,0	G 1-1/4"	G 1-1/4"
GP30.043.AAB1N							
GP30.051.CAB1N	51,2	240	1750	84,0	148,0	G 1-1/4"	G 1-1/4"
GP30.051.AAB1N							
GP30.061.CAB1N	60,7	220	1750	87,7	155,5	G 1-1/4"	G 1-1/4"
GP30.061.AAB1N							
GP30.073.CAB1N	73,0	200	1750	91,6	163,3	G 1-1/4"	G 1-1/4"
GP30.073.AAB1N							
GP30.082.CAB1N	81,4	190	1750	94,5	169,0	G 1-1/4"	G 1-1/4"
GP30.082.AAB1N							
GP30.100.CAB1N	99,7	180	1750	100,3	180,7	G 1-1/4"	G 1-1/4"
GP30.100.AAB1N							

SAE TİPİ  
TYPE

Pompa Tipi Pump Type	İletim Hacmi Displacement cm <sup>3</sup> /dev(cm <sup>3</sup> /rev)	Maks. Basınç Max. Pressure (bar)	Maks. Hız Max. Speed d/d (rpm)	A ±0,4	B	Giriş – Inlet	Çıkış – Outlet
						C	c
GP30.017.CRS2N	17,2	300	3000	119,0	172,6	G 1/2"	G 1/2"
GP30.017.ARS2N							
GP30.027.CRS2N	27,1	290	2750	122,2	179,0	G 3/4"	G 3/4"
GP30.027.ARS2N							
GP30.034.CRS2N	34,4	280	2500	124,5	183,6	G 1"	G 1"
GP30.034.ARS2N							
GP30.043.CRS2N	42,9	270	2000	127,4	189,4	G 1-1/4"	G 1-1/4"
GP30.043.ARS2N							
GP30.051.CRS2N	51,2	240	1750	129,5	193,5	G 1-1/4"	G 1-1/4"
GP30.051.ARS2N							
GP30.061.CRS2N	60,7	220	1750	133,2	201,0	G 1-1/4"	G 1-1/4"
GP30.061.ARS2N							
GP30.073.CRS2N	73,0	200	1750	137,1	208,7	G 1-1/4"	G 1-1/4"
GP30.073.ARS2N							
GP30.082.CRS2N	81,4	190	1750	140,0	214,5	G 1-1/4"	G 1-1/4"
GP30.082.ARS2N							
GP30.100.CRS2N	99,7	180	1750	145,8	226,1	G 1-1/4"	G 1-1/4"
GP30.100.ARS2N							

**T2** TİPİ  
TYPE


Pompa Tipi Pump Type	İletim Hacmi Displacement cm <sup>3</sup> /dev(cm <sup>3</sup> /rev)	Maks. Basınç Max. Pressure (bar)	Maks. Hız Max. Speed d/d (rpm)	A ±0,4	B	Giriş – Inlet	Çıkış - Outlet
						C	c
GP30.017.CPT2N	17,2	300	3000	101,0	154,6	G 1/2"	G 1/2"
GP30.017.APT2N							
GP30.027.CPT2N	27,1	290	2750	104,2	161,0	G 3/4"	G 3/4"
GP30.027.APT2N							
GP30.034.CPT2N	34,4	280	2500	106,5	165,6	G 3/4"	G 3/4"
GP30.034.APT2N							
GP30.043.CPT2N	42,9	270	2000	109,5	171,4	G 1"	G 1"
GP30.043.APT2N							
GP30.051.CPT2N	51,2	240	1750	111,5	175,5	G 1-1/4"	G 1-1/4"
GP30.051.APT2N							
GP30.061.CPT2N	60,7	220	1750	115,2	183,0	G 1"	G 1"
GP30.061.APT2N							
GP30.073.CPT2N	73,0	200	1750	119,2	190,7	G 1-1/4"	G 1-1/4"
GP30.073.APT2N							
GP30.082.CPT2N	81,4	190	1750	122,0	196,5	G 1-1/4"	G 1-1/4"
GP30.082.APT2N							
GP30.100.CPT2N	99,7	180	1750	127,8	208,1	G 1-1/4"	G 1-1/4"
GP30.100.APT2N							