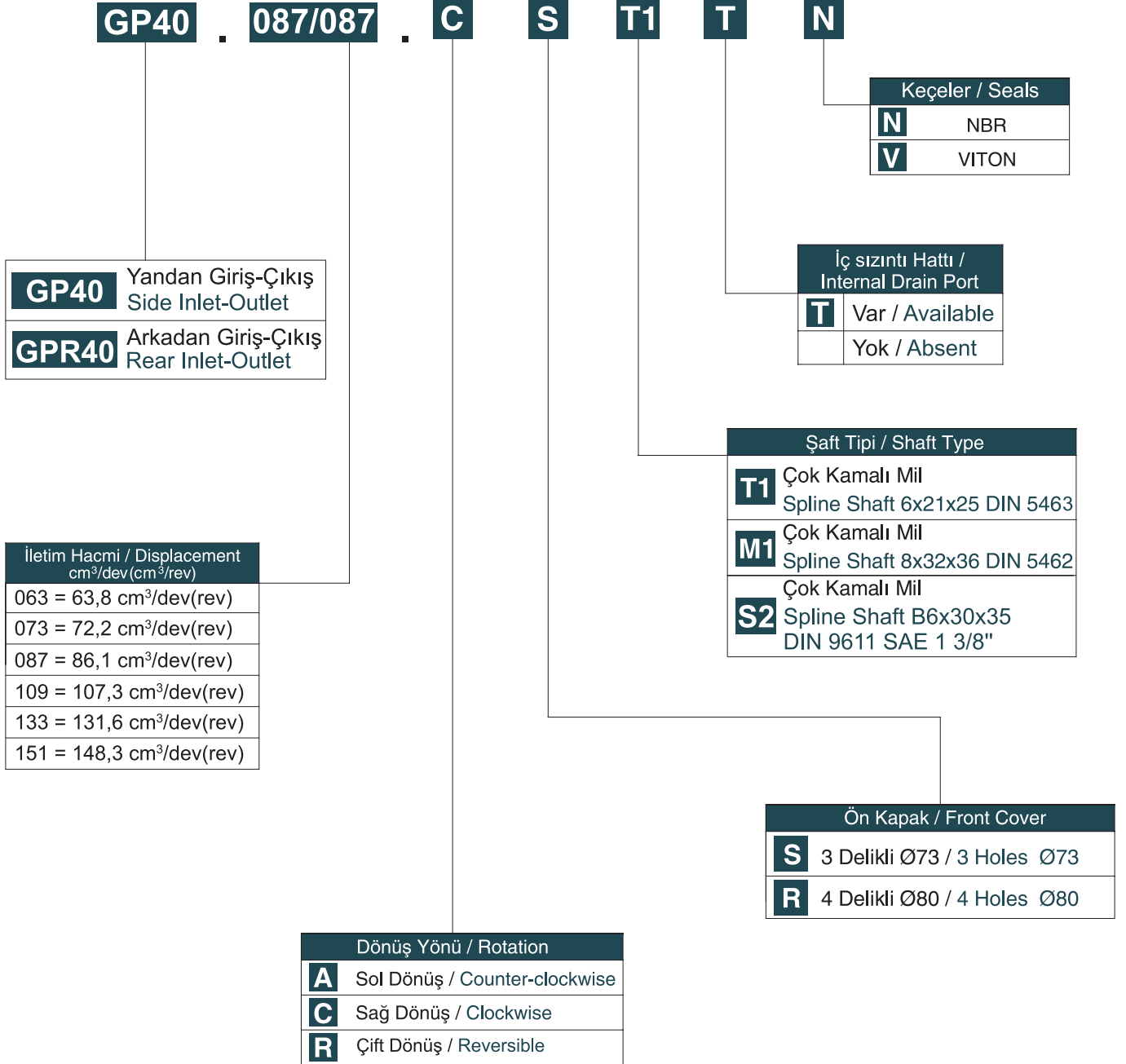


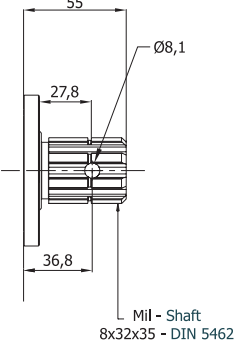
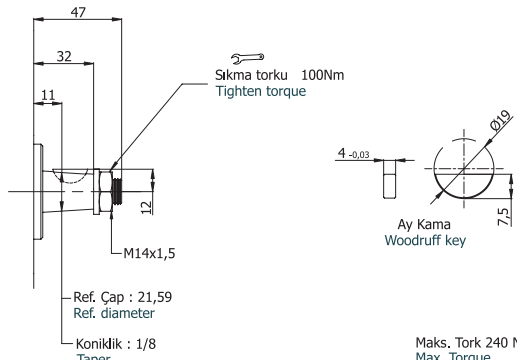
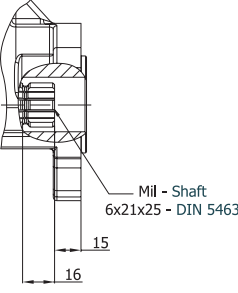
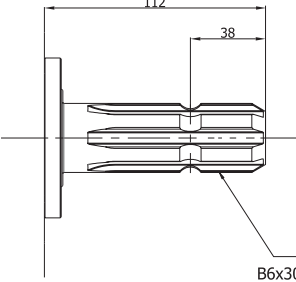
## GP40 POMPALARIN KODLAMA SİSTEMİ ORDERING CODE OF GP40 PUMPS



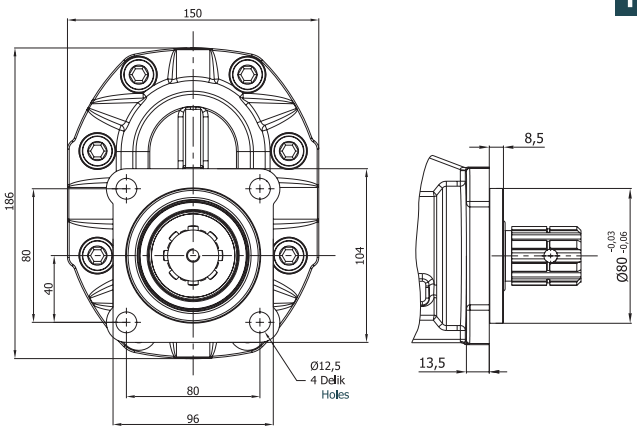
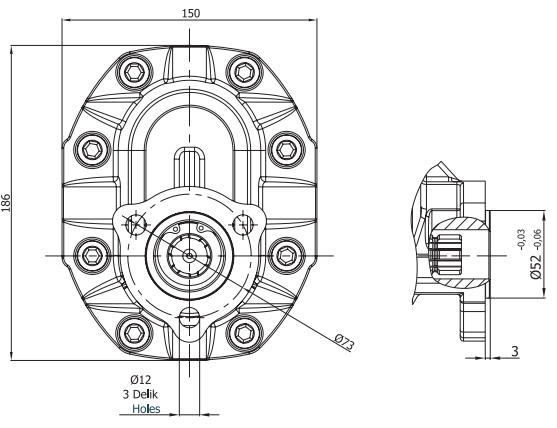
- Kodlama Örneği (Tekli) ; GP40.087.CST1N  
Code Example (Single)

- Kodlama Örneği (Tandem) ; GP40.087/087.CST1N  
Code Example (Tandem)

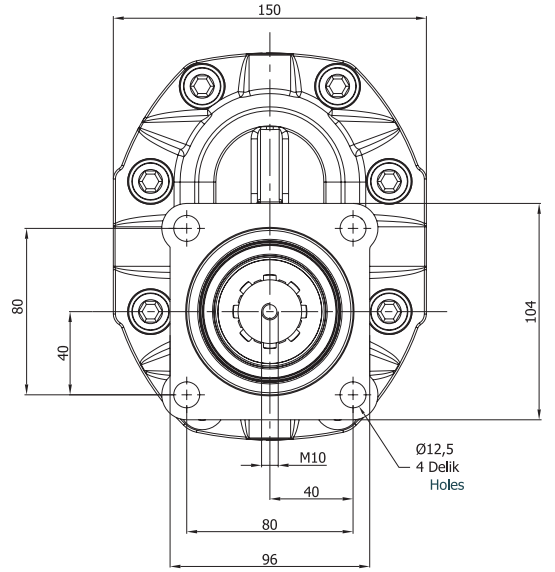
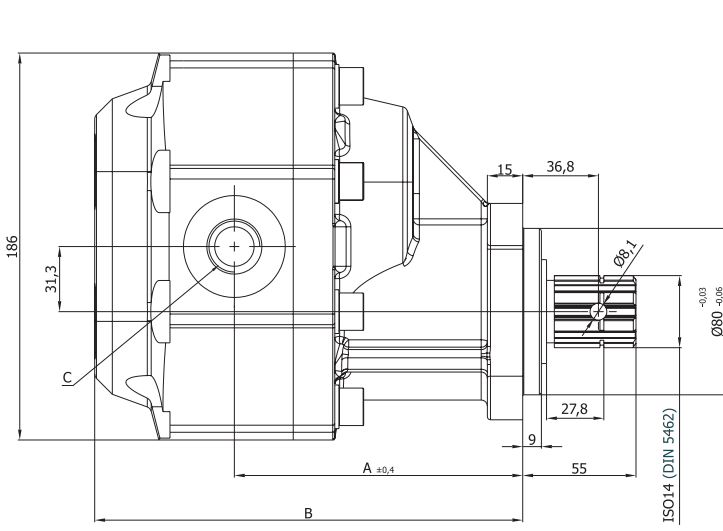
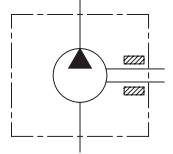
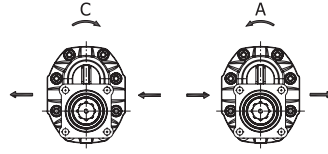
GP40 ŞAFT TİPLERİ / GP40 SHAFT TYPES

<p><b>M1</b></p>  <p>Mil - Shaft 8x32x35 - DIN 5462</p> <p>Maks. Tork 350 Nm Max. Torque</p>	<p><b>B1</b></p>  <p>Sıkma torku 100Nm Tighten torque</p> <p>M14x1,5</p> <p>Ref. Çap : 21,59 Ref. diameter</p> <p>Koniklik : 1/8 Taper</p> <p>Ay Kama Woodruff key</p> <p>Maks. Tork 240 Nm Max. Torque</p>
<p><b>T1</b></p>  <p>Mil - Shaft 6x21x25 - DIN 5463</p> <p>Maks. Tork 400 Nm Max. Torque</p>	<p><b>S2</b></p>  <p>Mil - DIN 9611 SAE 1 3/8" B6x30x35 - Shaft</p> <p>Maks. Tork 300 Nm Max. Torque</p>

GP40 ÖN KAPAKLAR / GP40 FRONT COVERS

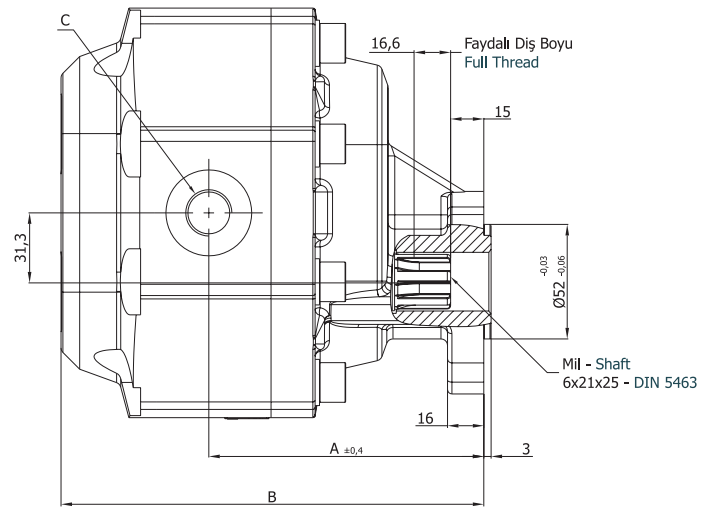
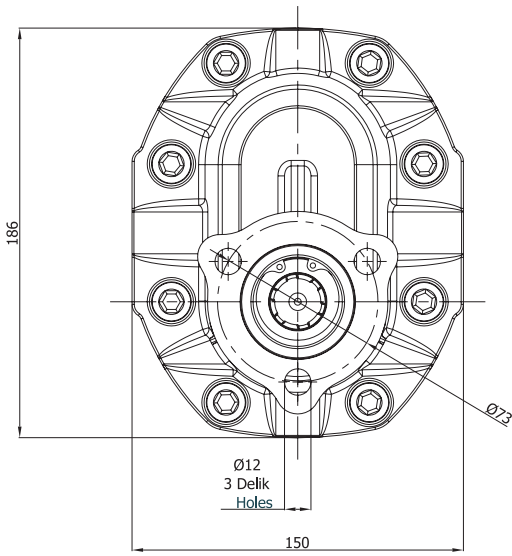
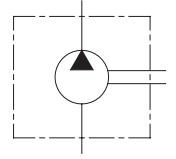
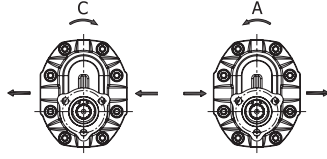
<p><b>R</b></p>  <p>Ø12,5 4 Delik Holes</p>	<p><b>S</b></p>  <p>Ø12 3 Delik Holes</p>
----------------------------------------------------------------------------------------------------------------------------------------	---------------------------------------------------------------------------------------------------------------------------------------

ISO TIPI  
TYPE



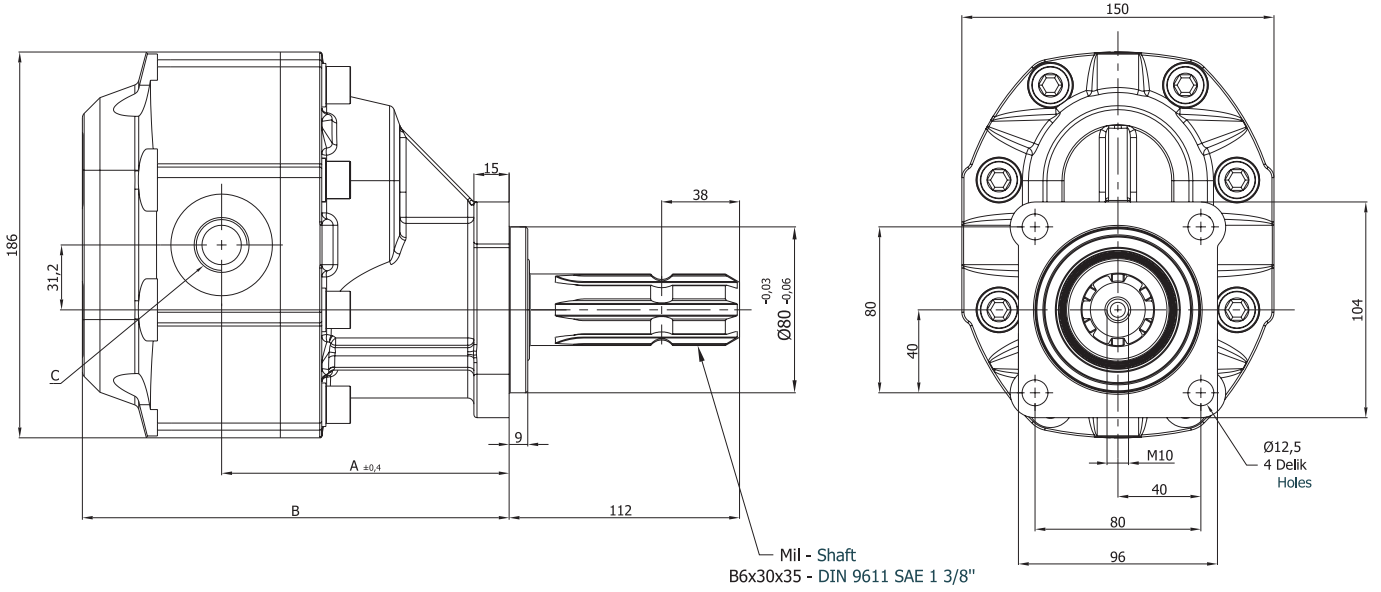
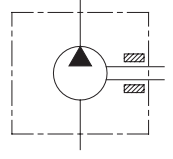
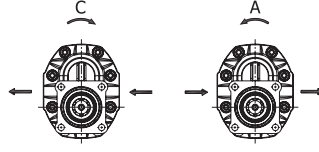
Pompa Tipi Pump Type	İletim Hacmi Displacement cm <sup>3</sup> /dev(cm <sup>3</sup> /rev)	Maks. Basınç Max. Pressure (bar)	Maks. Hız Max. Speed d/d (rpm)	A <sub>±0,4</sub>	B	Giriş – Inlet	Çıkış - Outlet	
						C	c	
GP40.063.CRM1N	63,8	280	2750	136,3	203,0	G 1"	G 3/4"	
GP40.063.ARM1N								
GP40.073.CRM1N	72,2	260		137,3	204,6	G 1-1/4"	G 1"	
GP40.073.ARM1N								
GP40.087.CRM1N	86,1	240		141,0	209,6	G 1-1/2"		G 1"
GP40.087.ARM1N								
GP40.109.CRM1N	107,3	220	145,0	217,3	G 1-1/2"	G 1"		
GP40.109.ARM1N								
GP40.133.CRM1N	131,6	180	148,0	225,9	G 1-1/2"		G 1"	
GP40.133.ARM1N								
GP40.151.CRM1N	148,3	180	153,3	232,3	G 1-1/2"			G 1"
GP40.151.ARM1N								

UNI TIPI  
TYPE



Pompa Tipi Pump Type	İletim Hacmi Displacement cm <sup>3</sup> /dev(cm <sup>3</sup> /rev)	Maks. Basınç Max. Pressure (bar)	Maks. Hız Max. Speed d/d (rpm)	A ±0,4	B	Giriş – Inlet	Çıkış – Outlet
						C	c
GP40.063.CST1N	63,8	280	2750	124,0	190,7	G 1"	G 3/4"
GP40.063.AST1N							
GP40.073.CST1N	72,2	260	2750	125,0	192,3	G 1-1/4"	G 1"
GP40.073.AST1N							
GP40.087.CST1N	86,1	240	2500	128,7	197,3	G 1-1/2"	G 1"
GP40.087.AST1N							
GP40.109.CST1N	107,3	220	2500	132,7	205,0	G 1-1/2"	G 1"
GP40.109.AST1N							
GP40.133.CST1N	131,6	180	2500	135,7	213,6	G 1-1/2"	G 1"
GP40.133.AST1N							
GP40.151.CST1N	148,3	180	2500	141,0	220,0	G 1-1/2"	G 1"
GP40.151.AST1N							

SAE TİPİ  
TYPE



Pompa Tipi Pump Type	İletim Hacmi Displacement cm <sup>3</sup> /dev(cm <sup>3</sup> /rev)	Maks. Basınç Max. Pressure (bar)	Maks. Hız Max. Speed d/d (rpm)	A ±0,4	B	Giriş – Inlet	Çıkış – Outlet
						C	c
GP40.063.CRS2N	63,8	280	2750	136,3	203,0	G 1"	G 3/4"
GP40.063.ARS2N							
GP40.073.CRS2N	72,2	260	2750	137,3	204,6	G 1-1/4"	G 1"
GP40.073.ARS2N							
GP40.087.CRS2N	86,1	240	2750	141,0	209,6	G 1-1/4"	G 1"
GP40.087.ARS2N							
GP40.109.CRS2N	107,3	220	2750	145,0	217,3	G 1-1/2"	G 1"
GP40.109.ARS2N							
GP40.133.CRS2N	131,6	180	2750	148,0	225,9	G 1-1/2"	G 1"
GP40.133.ARS2N							
GP40.151.CRS2N	148,3	180	2750	153,3	232,3	G 1-1/2"	G 1"
GP40.151.ARS2N							