



207 SERIES CAT



DIN3852 and other threads available upon request.
AISI 316 available but only for minimum quantities.

- **Materials**

Carbon Steel *EN -10277-3 / AISI 316L*

O-ring: NBR, Viton or EPDM

Back-up-ring: PTFE

Springs: *Carbon Steel DIN 17233/84(B)*

- **Applications:** Designed for Oil hydraulic Applications.
Hammer Application

- **Equivalence:** DNP VAV

- **Working temperature (O-ring)**

	NBR	Viton	EPDM
+	+100°C	+200°C	+150°C
-	-30°C	-10°C	-40°C

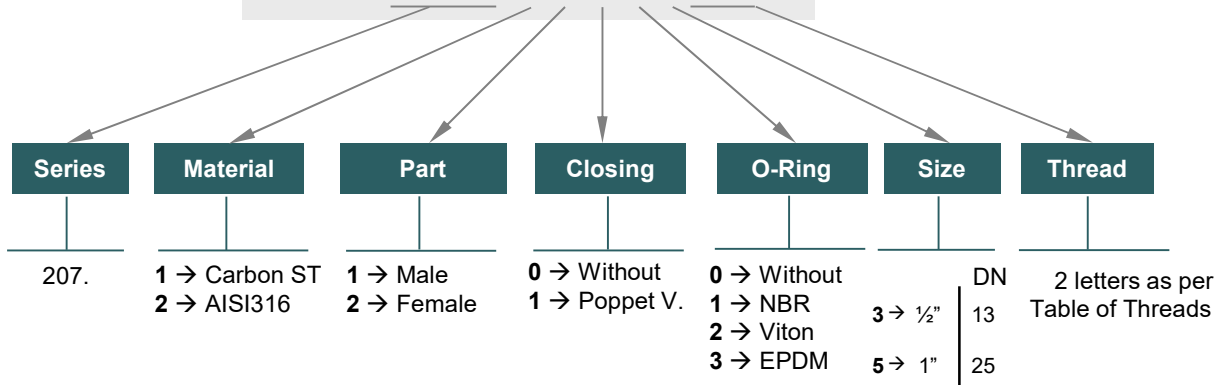
- **Sectors:** Industrial, Agricultural, Construction machinery.



MODEL STRUCTURE

Example:

207.12113 NG

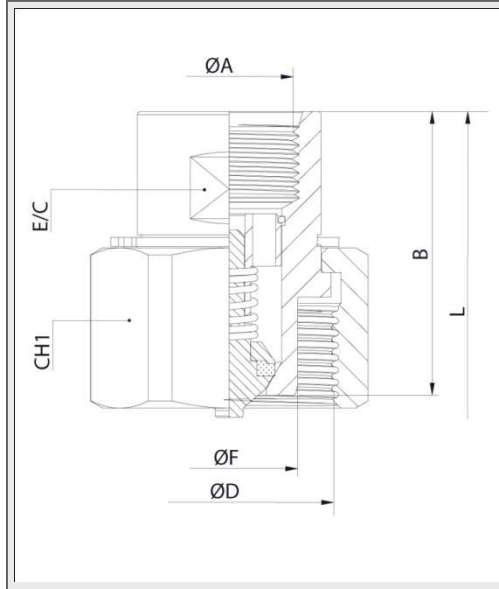


207-1




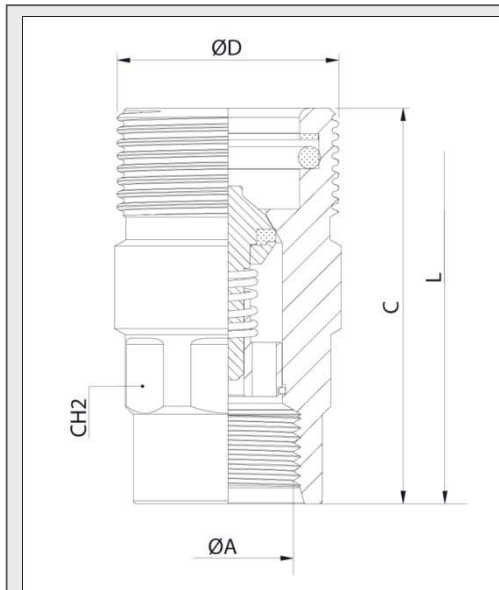


207 SERIES CAT




MALE

DN	ØA	E/C	CH1	B	ØF	ØD	L	REF.	
13	M22x1,5	27	41	46	22,25	Rd 35x2	92	207.11113NG	400 Bar
13	½" BSP	27	41	46	22,25	Rd 35x2	92	207.11113AD	400 Bar
25	M30x1,5	38	65	68	38	Rd 54x3	134	207.11115NS	360 Bar
25	1" BSP	38	65	68	38	Rd 54x3	134	207.11115AF	360 Bar



FEMALE

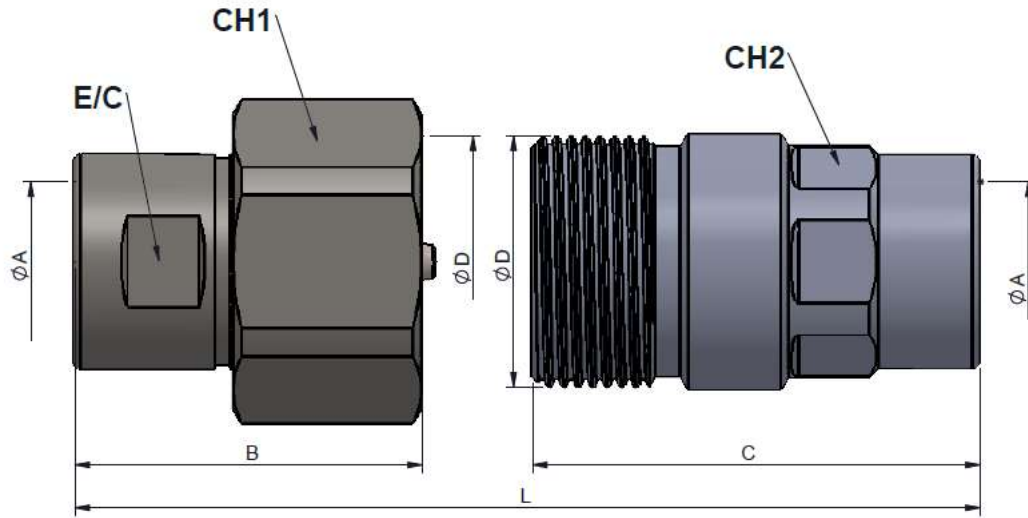
DN	ØA	CH2	C	ØD	L	REF.	
13	M22x1,5	30	62	Rd 35x2	92	207.12113NG	400Bar
13	½" BSP	30	62	Rd 35x2	92	207.12113AD	400Bar
25	M30x1,5	46	96	Rd 54x3	134	207.12115NS	360 Bar
25	1" BSP	46	96	Rd 54x3	134	207.12115AF	360 Bar



207 SERIES CAT



M22x1.5 DN13

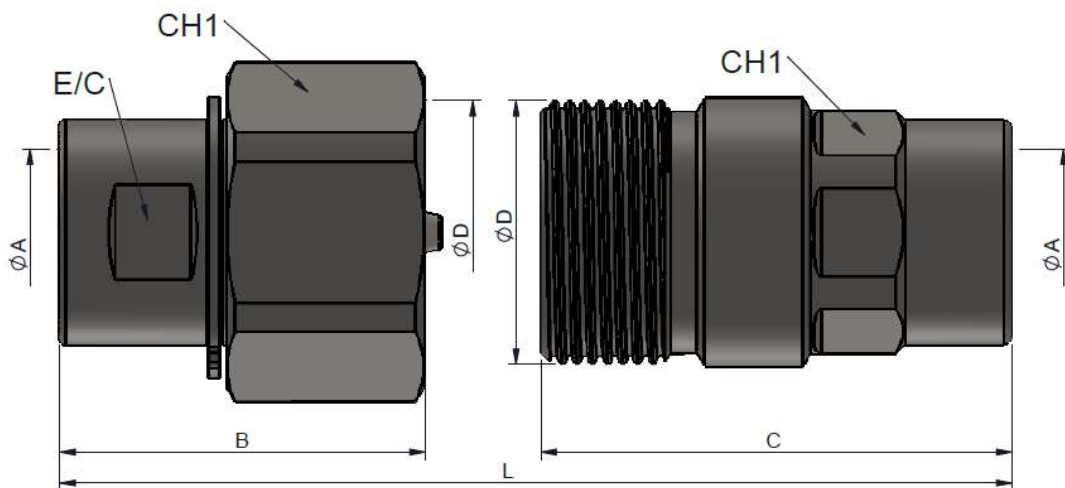


STANDARD MALE MODELS

STANDARD FEMALE MODELS

DN	ØA	REF.		CH1	E/C	ØD	B	L	DN	ØA	REF.		CH2	C	ØD	L
13	M22x1.5	207.11113NG	400Bar	41	27	Rd 35x2	48	92	13	M22x1.5	207.12113NG	400Bar	30	62	Rd 35x2	92

1/2" BSP DN13



STANDARD MALE MODELS

STANDARD FEMALE MODELS

DN	ØA	REF.		CH1	E/C	ØD	B	L	DN	ØA	REF.		CH2	C	ØD	L
13	1/2" BSP	207.11113AD	400Bar	41	27	Rd 35x2	48	92	13	1/2" BSP	207.12113AD	400Bar	30	62	Rd 35x2	92

207-3

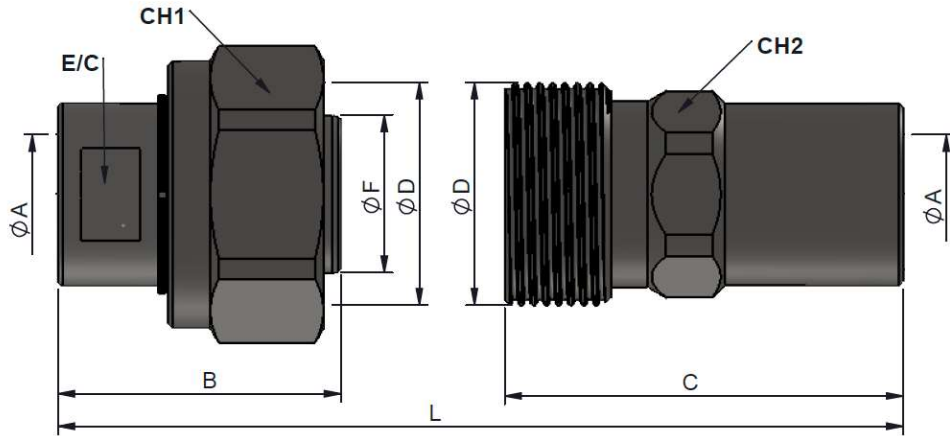




207 SERIES CAT



M30x1.5 DN25

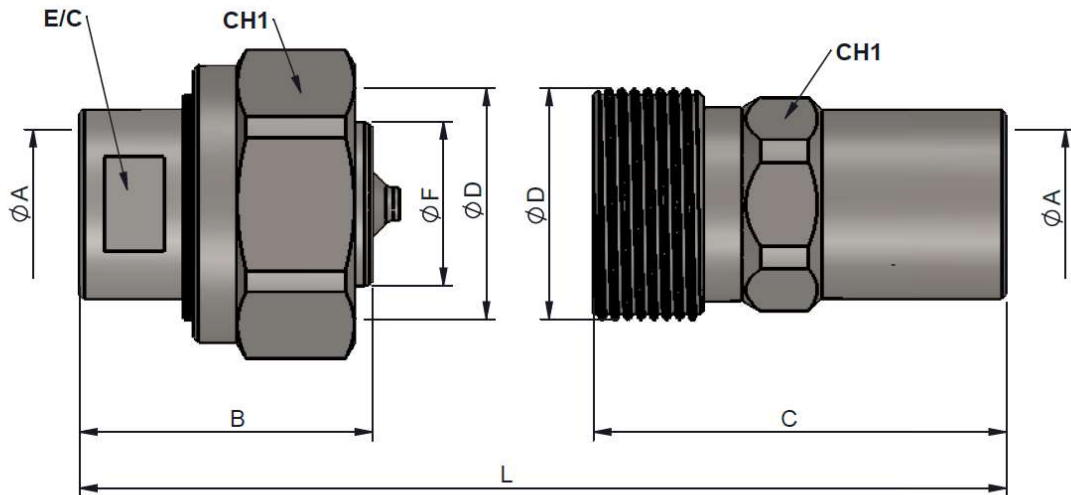


MODELOS MACHO ESTÁNDAR

MODELOS HEMBRA ESTÁNDAR

DN	ØA	REF.		CH1	E/C	ØF	ØD	B	L	DN	ØA	REF.		CH2	C	ØD	L
25	M30x1.5	207.11115NS	360Bar	65	38	38	Rd 54x3	68	134	25	M30x1.5	207.12115NS	360Bar	46	96	Rd 54x3	134

1" BSP DN25



MODELOS MACHO ESTÁNDAR

MODELOS HEMBRA ESTÁNDAR

DN	ØA	REF.		CH1	E/C	ØF	ØD	B	L	DN	ØA	REF.		CH2	C	ØD	L
25	1" BSP	207.11115AF	360Bar	65	38	38	Rd 54x3	68	134	25	1" BSP	207.12115AF	360Bar	46	96	Rd 54x3	134



207 SERIES CAT

PLUGS
& CAPS

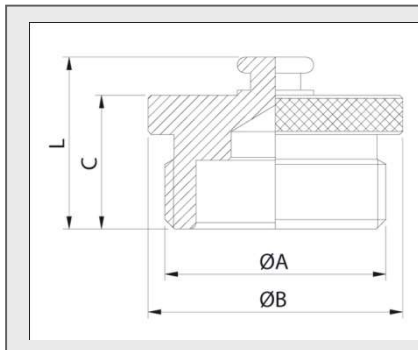
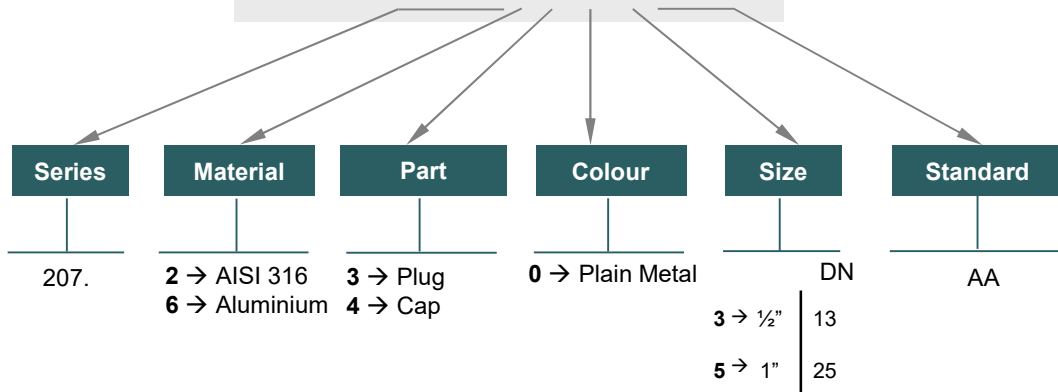


CAT SERIES PLUGS, CAPS and have been designed to protect FEMALE (coupler) or MALE (nipple) parts while they are disconnected.

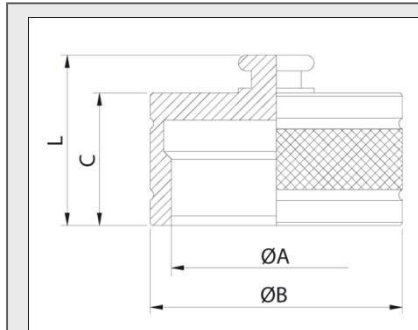
MODEL STRUCTURE

Example:

207.6403 AA



PLUG					
DN	REF.	ØA	ØB	C	L
13	207.6303AA	Rd 35x2	40	21	27
25	207.6305AA	Rd 54x3	60	37,5	43,5



CAP					
DN	REF.	ØA	ØB	C	L
13	207.6403AA	Rd 35x2	40	21	27
25	207.6405AA	Rd 54x3	60	29	35

207-3