



# 106 SERIES DIA



Manufactured according to ISO 5675 norm.  
Special product for American market.  
Poppet Valve or Ball closing system.  
BSP, NPTF, SAE/ORB threads. Other threads available upon request.

### • Materials

Carbon Steel EN -10277-3  
O-ring: NBR, Viton or EPDM  
Back-Up-Ring: PTFE  
Balls: AISI 1010/1015  
Springs: Carbon Steel  
DIN 17233/84(B)

### • Working temperature (O-ring)

	NBR	Viton	EPDM
+	+100°C	+200°C	+150°C
-	-30°C	-10°C	-40°C

• Applications: Designed for Oil hydraulic Applications,

• Sectors: Industrial, Agricultural



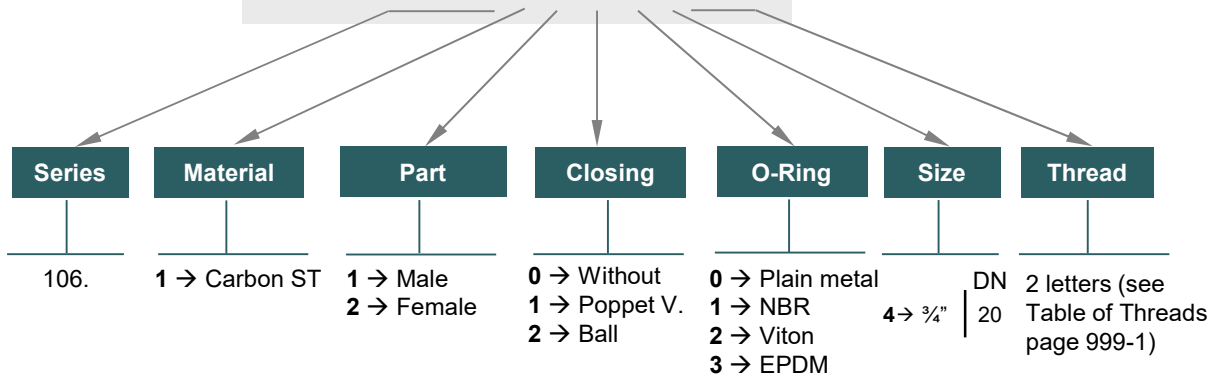
### • Equivalence

FASTER NV-NS  
AEROQUIP FD76  
PARKER 4000  
SNAP-TITE 60

## MODEL STRUCTURE

Example:

# 106.11114 BE



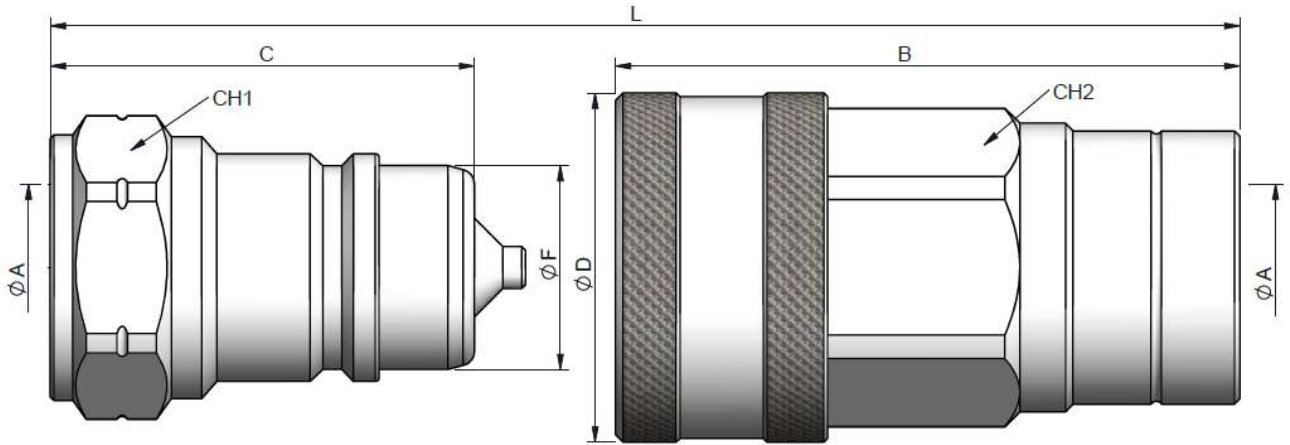
106-1



# 106 SERIES DIA



## DN20

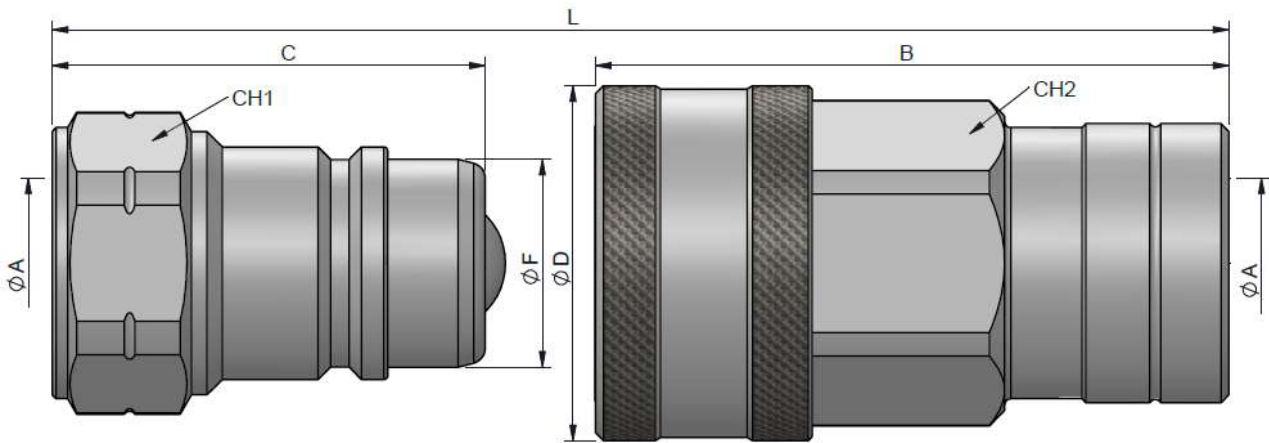


STANDARD MALE MODELS

STANDARD FEMALE MODELS

DN	ØA	REF.		CH1	C	ØF	L	DN	ØA	REF.		CH2	B	ØD	L
20	3/4" NPTF	106.11114BE	250Bar	36	56	26.85	112	20	3/4" NPTF	106.12114BE	250Bar	38	82	45.50	112

## DN20



STANDARD MALE MODELS

STANDARD FEMALE MODELS

DN	ØA	REF.		CH1	C	ØF	L	DN	ØA	REF.		CH2	B	ØD	L
20	3/4" NPTF	106.11214BE	250Bar	36	56	26.85	112	20	3/4" NPTF	106.12214BE	250Bar	38	82	45.50	112