



# GE3K

## 3-WAY HIGH PRESSURE BALL VALVES

Edition. 21.0

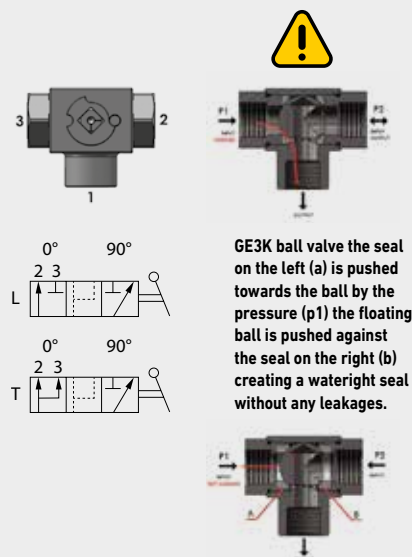
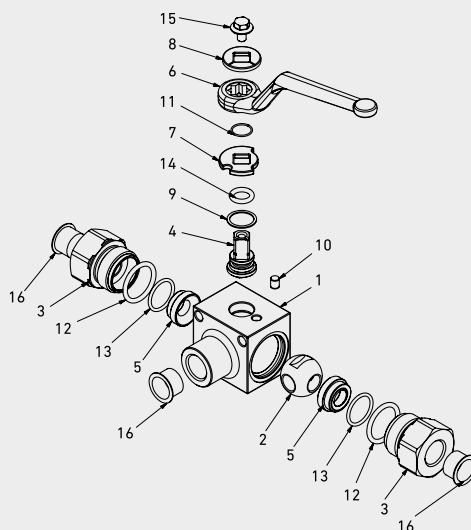
### CS Carbon Steel

- Type: ball valve 3 way special seats, zero leakage
- Sizes: from DN6 up to DN25
- Ends: BSP-NPT-SAE
- Pressure: up to PN500
- Temp range: from -20°C to +100°C

### SS Stainless Steel

- Type: ball valve 3 way special seats, zero leakage
- Sizes: from DN6 up to DN25
- Ends: BSP-NPT-SAE
- Pressure: up to PN500
- Temp range: from -30°C to +100°C

### STANDARD COMPOSITION OF VALVE



| POS | DESCRIPTION    | Q.TY | CS           | SS              |
|-----|----------------|------|--------------|-----------------|
|     |                |      | Carbon Steel | Stainless Steel |
|     |                |      | MATERIAL     |                 |
| 1   | Body           | 1    | 1,0737       | 1,4404          |
| 2   | Adapter        | 2    | 1,0737       | 1,4404          |
| 3   | Ball           | 1    | 1,0737       | 1,4404          |
| 4   | Stem           | 1    | 1,0737       | 1,4404          |
| 5   | Ball seat      | 2    | POM          | POM             |
| 6   | Handle         | 1    | ZINC         | ZINC            |
| 7   | Washer         | 1    | 1,0116       | 1,0116          |
| 8   | Washer         | 1    | 1,0116       | 1,4301          |
| 9   | Stem ring      | 1    | POM          | POM             |
| 10  | Pin            | 1    | 1,0737       | 1,4301          |
| 11  | Seeger         | 1    | 1,4301       | 1,4301          |
| 12  | Adapter o-ring | 2    | NBR          | NBR             |
| 13  | Seal o-ring    | 2    | NBR          | NBR             |
| 14  | Stem o-ring    | 1    | NBR          | NBR             |
| 15  | Screw          | 1    | Din 6921 8.8 | Din 6921 A2     |
| 16  | Caps           | 3    | PVC          | PVC             |



## CODE DESCRIPTION STRUCTURE

**GE3K G1/2 DN13 1 1 1 1 A B**

**Type and way of valve**

GE3K 3-way

**Ends**

GAS DIN/ NPT ANSI SAE  
ISO 228 /ASME J1926-1  
BSP B1.20.1

G 1/4 N 1/4 SAE4  
G 3/8 N 3/8 SAE6  
G 1/2 N 1/2 SAE8  
G 3/4 N 3/4 SAE12  
G 1 N 1 SAE16  
G 1 1/4 R N 1 1/4 R SAE20R  
G 1 1/2 R N 1 1/2 R SAE24R

**Size**

from DN6 to DN25

**Body Material**

- 1 = 1,0737
- 4 = 1,4404

**Adapter material**

- 1 = 1,0737
- 4 = 1,4404

**Stem material**

- 1 = 1,0737 4 = 1,4404\*
- 4 = 1,4404

**Ball Material**

- 1 = 1,0737 4 = 1,4404\*
- 4 = 1,4404

**Seat material**

A = POM D = PEEK\* G = PA612\* K = GEMPTFE\* C = PTFE\*

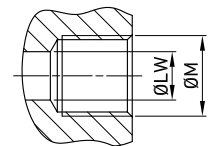
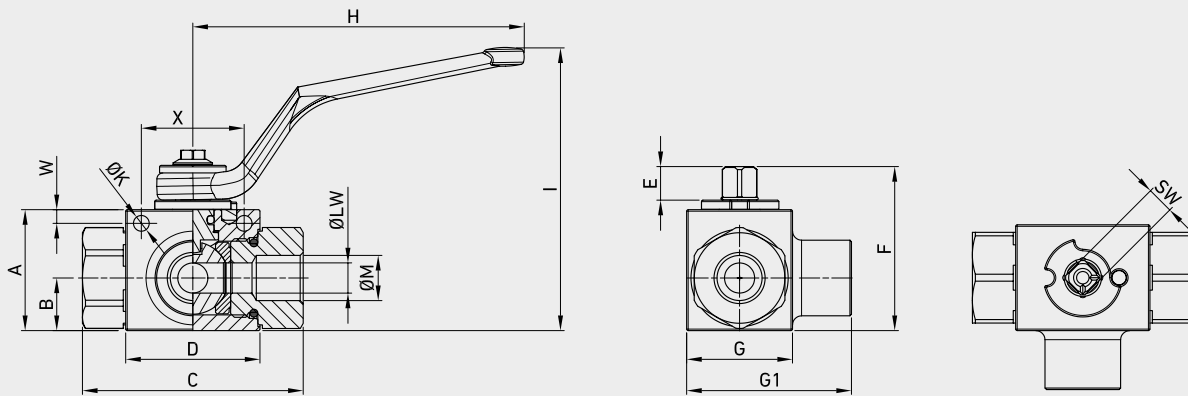
**Seal material**

B = NBR E = FKM\* F = EPDM\* L = MVQ\*

**\*On request**

- Reduced bore
- Special threads
- Pressure class up to PN40 Mpa
- Pneumatic and electrical actuator
- Security block
- Locking device

For further special requests please consult our technical/commercial service.

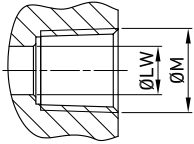


GE3K DIN/ISO 228 BSP

| TYPE           | DN | PN            |           |      |      |      |      |       |      |      |      |      |         | <span style="border: 1px solid black; border-radius: 50%; padding: 2px;">CS</span> Carbon Steel <span style="border: 1px solid black; border-radius: 50%; padding: 2px; margin-left: 20px;">SS</span> Stainless Steel |      |      |      |      |          |                 |                 |
|----------------|----|---------------|-----------|------|------|------|------|-------|------|------|------|------|---------|-----------------------------------------------------------------------------------------------------------------------------------------------------------------------------------------------------------------------|------|------|------|------|----------|-----------------|-----------------|
|                |    |               | A         | B    | C    | D    | E    | F     | G    | G1   | H    | I    | ØM      | ØK*                                                                                                                                                                                                                   | W*   | X*   | SW   | ØLW  | WEIGHT   | ITEM CODE       |                 |
| GE3K G 1/4     | 6  | MPa 50        | mm 35     | 14,5 | 71   | 42,4 | 11   | 49    | 30   | 48,5 | 110  | 87   | G 1/4   | 5,25                                                                                                                                                                                                                  | 4,5  | 34   | 9    | 6    | kg 0,536 | GK3GGT14011A000 | GK3GGT14044A000 |
|                |    | Psi 7250      | inch 1,38 | 0,57 | 2,80 | 1,67 | 0,43 | 1,93  | 1,18 | 1,91 | 4,33 | 3,43 |         | 0,21                                                                                                                                                                                                                  | 0,18 | 1,34 | 0,35 | 0,24 | lb 1,18  |                 |                 |
| GE3K G 3/8     | 10 | MPa 50        | mm 40     | 17,4 | 73   | 44,4 | 11   | 54,25 | 35   | 54,5 | 110  | 93   | G 3/8   | 5,25                                                                                                                                                                                                                  | 4,5  | 34   | 9    | 10   | kg 0,695 | GK3GGT24011A000 | GK3GGT24044A000 |
|                |    | Psi 7250      | inch 1,57 | 0,69 | 2,87 | 1,75 | 0,43 | 2,14  | 1,38 | 2,15 | 4,33 | 3,66 |         | 0,21                                                                                                                                                                                                                  | 0,18 | 1,34 | 0,35 | 0,39 | lb 1,53  |                 |                 |
| GE3K G 1/2     | 13 | MPa 50        | mm 43     | 19,7 | 83   | 48,4 | 11   | 57    | 37   | 58,5 | 110  | 97   | G 1/2   | 5,25                                                                                                                                                                                                                  | 5    | 36   | 9    | 13   | kg 0,825 | GK3GGT33011A000 | GK3GGT33044A000 |
|                |    | Psi 7250      | inch 1,69 | 0,78 | 3,27 | 1,91 | 0,43 | 2,24  | 1,46 | 2,30 | 4,33 | 3,82 |         | 0,21                                                                                                                                                                                                                  | 0,20 | 1,42 | 0,35 | 0,51 | lb 1,82  |                 |                 |
| GE3K G 3/4     | 20 | MPa 40 35     | mm 57     | 25,4 | 95   | 62,5 | 14   | 75,5  | 49   | 75   | 180  | 105  | G 3/4   | 6,25                                                                                                                                                                                                                  | 6    | 50   | 14   | 20   | kg 1,583 | GK3GGT44011A000 | GK3GGT43044A000 |
|                |    | Psi 5800 5075 | inch 2,24 | 1,00 | 3,74 | 2,46 | 0,55 | 2,97  | 1,93 | 2,95 | 7,09 | 4,13 |         | 0,25                                                                                                                                                                                                                  | 0,24 | 1,97 | 0,55 | 0,79 | lb 3,49  |                 |                 |
| GE3K G 1       | 25 | MPa 35        | mm 65     | 29,5 | 105  | 66,5 | 14   | 83,5  | 55   | 89   | 180  | 113  | G 1     | 6,25                                                                                                                                                                                                                  | 6    | 50   | 14   | 25   | kg 2,421 | GK3GGT53011A000 | GK3GGT53044A000 |
|                |    | Psi 5075      | inch 2,56 | 1,16 | 4,13 | 2,62 | 0,55 | 3,29  | 2,17 | 3,50 | 7,09 | 4,45 |         | 0,25                                                                                                                                                                                                                  | 0,24 | 1,97 | 0,55 | 0,98 | lb 5,34  |                 |                 |
| GE3K G 1 1/4 R | 25 | MPa 35        | mm 65     | 29,5 | 120  | 66,5 | 14   | 83,5  | 55   | 89   | 180  | 113  | G 1 1/4 | 6,25                                                                                                                                                                                                                  | 6    | 50   | 14   | 25   | kg 2,601 | GK3GGR63011A000 | GK3GGR63044A000 |
|                |    | Psi 5075      | inch 2,56 | 1,16 | 4,72 | 2,62 | 0,55 | 3,29  | 2,17 | 3,50 | 7,09 | 4,45 |         | 0,25                                                                                                                                                                                                                  | 0,24 | 1,97 | 0,55 | 0,98 | lb 5,73  |                 |                 |
| GE3K G 1 1/2 R | 25 | MPa 35        | mm 65     | 29,5 | 124  | 66,5 | 14   | 83,5  | 55   | 89   | 180  | 113  | G 1 1/2 | 6,25                                                                                                                                                                                                                  | 6    | 50   | 14   | 25   | kg 2,756 | GK3GGR73011A000 | GK3GGR73044A000 |
|                |    | Psi 5075      | inch 2,56 | 1,16 | 4,88 | 2,62 | 0,55 | 3,29  | 2,17 | 3,50 | 7,09 | 4,45 |         | 0,25                                                                                                                                                                                                                  | 0,24 | 1,97 | 0,55 | 0,98 | lb 6,08  |                 |                 |

Size only for carbon steel valves with fixing holes included.

FIXING HOLES INCLUDED

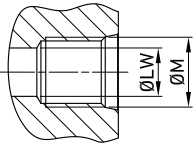


**GE3K ANSI/ASME B1.20.1 NPT**

|              |    |          |           |      |      |      |      |       |      |      |      |      |       |      |      |      |      |      | CS           | SS              |                 |
|--------------|----|----------|-----------|------|------|------|------|-------|------|------|------|------|-------|------|------|------|------|------|--------------|-----------------|-----------------|
|              |    |          |           |      |      |      |      |       |      |      |      |      |       |      |      |      |      |      | Carbon Steel | Stainless Steel |                 |
| TYPE         | DN | PN       | A         | B    | C    | D    | E    | F     | G    | G1   | H    | I    | ØM    | ØK*  | W*   | X*   | SW   | ØLW  | WEIGHT       | ITEM CODE       |                 |
| GE3K N 1/4   | 6  | MPa 50   | mm 35     | 14,5 | 71   | 42,4 | 11   | 49    | 30   | 48,5 | 110  | 87   | N 1/4 | 5,25 | 4,5  | 34   | 9    | 6    | kg 0,536     | GK3NNT14011A000 | GK3NNT14044A000 |
|              |    | Psi 7250 | inch 1,38 | 0,57 | 2,80 | 1,67 | 0,43 | 1,93  | 1,18 | 1,91 | 4,33 | 3,43 |       | 0,21 | 0,18 | 1,34 | 0,35 | 0,24 | lb 1,18      |                 |                 |
| GE3K N 3/8   | 10 | MPa 50   | mm 40     | 17,4 | 73   | 44,4 | 11   | 54,25 | 35   | 54,5 | 110  | 93   | N 3/8 | 5,25 | 4,5  | 34   | 9    | 10   | kg 0,695     | GK3NNT24011A000 | GK3NNT24044A000 |
|              |    | Psi 7250 | inch 1,57 | 0,69 | 2,87 | 1,75 | 0,43 | 2,14  | 1,38 | 2,15 | 4,33 | 3,66 |       | 0,21 | 0,18 | 1,34 | 0,35 | 0,39 | lb 1,53      |                 |                 |
| GE3K N 1/2   | 13 | MPa 50   | mm 43     | 19,7 | 83   | 48,4 | 11   | 57    | 37   | 58,5 | 110  | 97   | N 1/2 | 5,25 | 5    | 36   | 9    | 13   | kg 0,825     | GK3NNT33011A000 | GK3NNT33044A000 |
|              |    | Psi 7250 | inch 1,69 | 0,78 | 3,27 | 1,91 | 0,43 | 2,24  | 1,46 | 2,30 | 4,33 | 3,82 |       | 0,21 | 0,20 | 1,42 | 0,35 | 0,51 | lb 1,82      |                 |                 |
| GE3K N 3/4   | 20 | MPa 40   | mm 57     | 25,4 | 95   | 62,5 | 14   | 75,5  | 49   | 75   | 180  | 105  | N 3/4 | 6,25 | 6    | 50   | 14   | 20   | kg 1,583     | GK3NNT44011A000 | GK3NNT43044A000 |
|              |    | Psi 5800 | inch 2,24 | 1,00 | 3,74 | 2,46 | 0,55 | 2,97  | 1,93 | 2,95 | 7,09 | 4,13 |       | 0,25 | 0,24 | 1,97 | 0,55 | 0,79 | lb 3,49      |                 |                 |
| GE3K N 1     | 25 | MPa 35   | mm 65     | 29,5 | 105  | 66,5 | 14   | 83,5  | 55   | 89   | 180  | 113  | N 1   | 6,25 | 6    | 50   | 14   | 25   | kg 2,421     | GK3NNT53011A000 | GK3NNT53044A000 |
|              |    | Psi 5075 | inch 2,56 | 1,16 | 4,13 | 2,62 | 0,55 | 3,29  | 2,17 | 3,50 | 7,09 | 4,45 |       | 0,25 | 0,24 | 1,97 | 0,55 | 0,98 | lb 5,34      |                 |                 |
| GE3K N 1/4 R | 25 | MPa 35   | mm 65     | 29,5 | 120  | 66,5 | 14   | 83,5  | 55   | 89   | 180  | 113  | N 1/4 | 6,25 | 6    | 50   | 14   | 25   | kg 2,601     | GK3NNR63011A000 | GK3NNR63044A000 |
|              |    | Psi 5075 | inch 2,56 | 1,16 | 4,72 | 2,62 | 0,55 | 3,29  | 2,17 | 3,50 | 7,09 | 4,45 |       | 0,25 | 0,24 | 1,97 | 0,55 | 0,98 | lb 5,73      |                 |                 |
| GE3K N 1/2 R | 25 | MPa 35   | mm 65     | 29,5 | 124  | 66,5 | 14   | 83,5  | 55   | 89   | 180  | 113  | N 1/2 | 6,25 | 6    | 50   | 14   | 25   | kg 2,756     | GK3NNR73011A000 | GK3NNR73044A000 |
|              |    | Psi 5075 | inch 2,56 | 1,16 | 4,88 | 2,62 | 0,55 | 3,29  | 2,17 | 3,50 | 7,09 | 4,45 |       | 0,25 | 0,24 | 1,97 | 0,55 | 0,98 | lb 6,08      |                 |                 |

Size only for carbon steel valves with fixing holes included.

FIXING HOLES INCLUDED



**GE3K SAE J1926-1**

|             |    |          |           |      |      |      |      |       |      |      |      |      |        |      |      |      |      |      | CS           | SS              |                 |
|-------------|----|----------|-----------|------|------|------|------|-------|------|------|------|------|--------|------|------|------|------|------|--------------|-----------------|-----------------|
|             |    |          |           |      |      |      |      |       |      |      |      |      |        |      |      |      |      |      | Carbon Steel | Stainless Steel |                 |
| TYPE        | DN | PN       | A         | B    | C    | D    | E    | F     | G    | G1   | H    | I    | ØM     | ØK*  | W*   | X*   | SW   | ØLW  | WEIGHT       | ITEM CODE       |                 |
| GE3K SAE4   | 6  | MPa 50   | mm 35     | 14,5 | 71   | 42,4 | 11   | 49    | 30   | 48,5 | 110  | 87   | 7/16   | 5,25 | 4,5  | 34   | 9    | 6    | kg 0,536     | GK3EEE04011A000 | GK3EEE04044A000 |
|             |    | Psi 7250 | inch 1,38 | 0,57 | 2,80 | 1,67 | 0,43 | 1,93  | 1,18 | 1,91 | 4,33 | 3,43 |        | UNF  | 0,21 | 0,18 | 1,34 | 0,35 | 0,24         |                 |                 |
| GE3K SAE6   | 10 | MPa 50   | mm 40     | 17,4 | 73   | 44,4 | 11   | 54,25 | 35   | 54,5 | 110  | 93   | 9/16   | 5,25 | 4,5  | 34   | 9    | 10   | kg 0,695     | GK3EEE14011A000 | GK3EEE14044A000 |
|             |    | Psi 7250 | inch 1,57 | 0,69 | 2,87 | 1,75 | 0,43 | 2,14  | 1,38 | 2,15 | 4,33 | 3,66 |        | UNF  | 0,21 | 0,18 | 1,34 | 0,35 | 0,39         |                 |                 |
| GE3K SAE8   | 13 | MPa 50   | mm 43     | 19,7 | 83   | 48,4 | 11   | 57    | 37   | 58,5 | 110  | 97   | 3/4    | 5,25 | 5    | 36   | 9    | 13   | kg 0,825     | GK3EEE23011A000 | GK3EEE23044A000 |
|             |    | Psi 7250 | inch 1,69 | 0,78 | 3,27 | 1,91 | 0,43 | 2,24  | 1,46 | 2,30 | 4,33 | 3,82 |        | UNF  | 0,21 | 0,20 | 1,42 | 0,35 | 0,51         |                 |                 |
| GE3K SAE12  | 20 | MPa 40   | mm 57     | 25,4 | 95   | 62,5 | 14   | 75,5  | 49   | 75   | 180  | 105  | 1 1/16 | 6,25 | 6    | 50   | 14   | 20   | kg 1,583     | GK3EEE34011A000 | GK3EEE34044A000 |
|             |    | Psi 5800 | inch 2,24 | 1,00 | 3,74 | 2,46 | 0,55 | 2,97  | 1,93 | 2,95 | 7,09 | 4,13 |        | UNF  | 0,25 | 0,24 | 1,97 | 0,55 | 0,79         |                 |                 |
| GE3K SAE16  | 25 | MPa 35   | mm 65     | 29,5 | 105  | 66,5 | 14   | 83,5  | 55   | 89   | 180  | 113  | 1 5/16 | 6,25 | 6    | 50   | 14   | 25   | kg 2,421     | GK3EEE43011A000 | GK3EEE43044A000 |
|             |    | Psi 5075 | inch 2,56 | 1,16 | 4,13 | 2,62 | 0,55 | 3,29  | 2,17 | 3,50 | 7,09 | 4,45 |        | UNF  | 0,25 | 0,24 | 1,97 | 0,55 | 0,98         |                 |                 |
| GE3K SAE20R | 25 | MPa 35   | mm 65     | 29,5 | 120  | 66,5 | 14   | 83,5  | 55   | 89   | 180  | 113  | 1 5/8  | 6,25 | 6    | 50   | 14   | 25   | kg 2,601     | GK3EEE53011A000 | GK3EEE53044A000 |
|             |    | Psi 5075 | inch 2,56 | 1,16 | 4,72 | 2,62 | 0,55 | 3,29  | 2,17 | 3,50 | 7,09 | 4,45 |        | UNF  | 0,25 | 0,24 | 1,97 | 0,55 | 0,98         |                 |                 |
| GE3K SAE24R | 25 | MPa 35   | mm 65     | 29,5 | 124  | 66,5 | 14   | 83,5  | 55   | 89   | 180  | 113  | 1 7/8  | 6,25 | 6    | 50   | 14   | 25   | kg 2,756     | GK3EEE63011A000 | GK3EEE63044A000 |
|             |    | Psi 5075 | inch 2,56 | 1,16 | 4,88 | 2,62 | 0,55 | 3,29  | 2,17 | 3,50 | 7,09 | 4,45 |        | UNF  | 0,25 | 0,24 | 1,97 | 0,55 | 0,98         |                 |                 |

Size only for carbon steel valves with fixing holes included.

FIXING HOLES INCLUDED