



# RCB SINGLE AXIS LEVERS TWO MODULES REMOTE CONTROL

Hydraulic remote control RCB belongs to the wide range of Hydrocontrol. Low operating efforts, low energy consumption and low maintenance makes these hydraulic remote controls RCB ideals for piloting remote control directional valves, variable displacement pumps and motors, auxiliary valves, frictions and hydraulic brakes. Each hydraulic remote control is assembled with N.2 tie rod kits including a tie rod, two nuts and two washers.



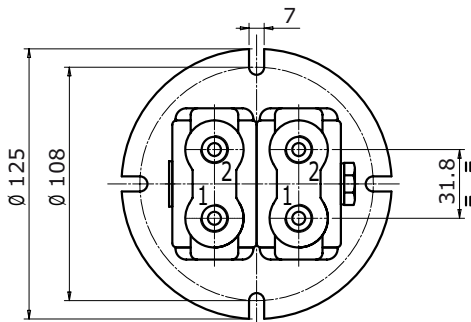
### TECHNICAL SPECIFICATIONS

|                          |                 |
|--------------------------|-----------------|
| Working section number:  | <b>2</b>        |
| Max pressure:            | <b>60 bar</b>   |
| Oil capacity:            | <b>12 l/min</b> |
| Weight:                  | <b>3,2 Kg</b>   |
| Tie rod clamping torque: | <b>14 Nm</b>    |

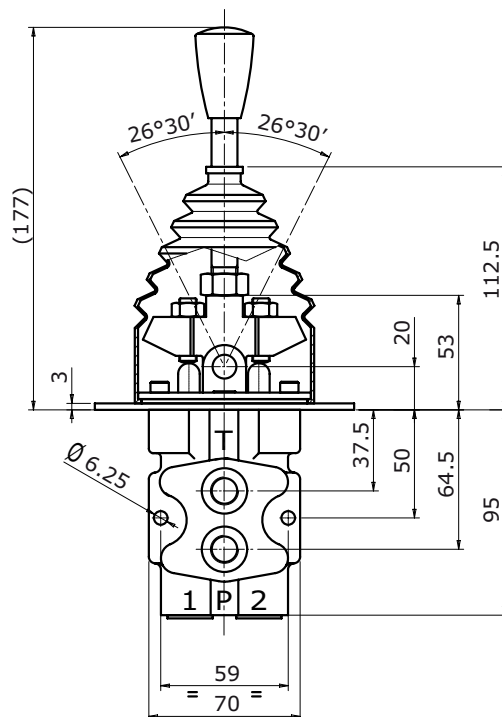
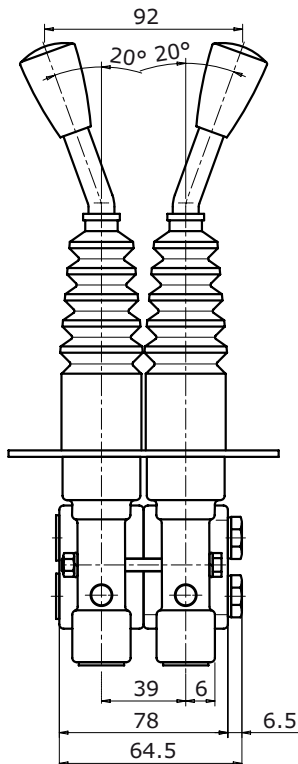
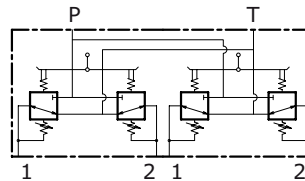
### APPLICATIONS

Mini skid loaders, Backhoe loaders, Tractors

### DIMENSIONS



### HYDRAULIC SCHEMA

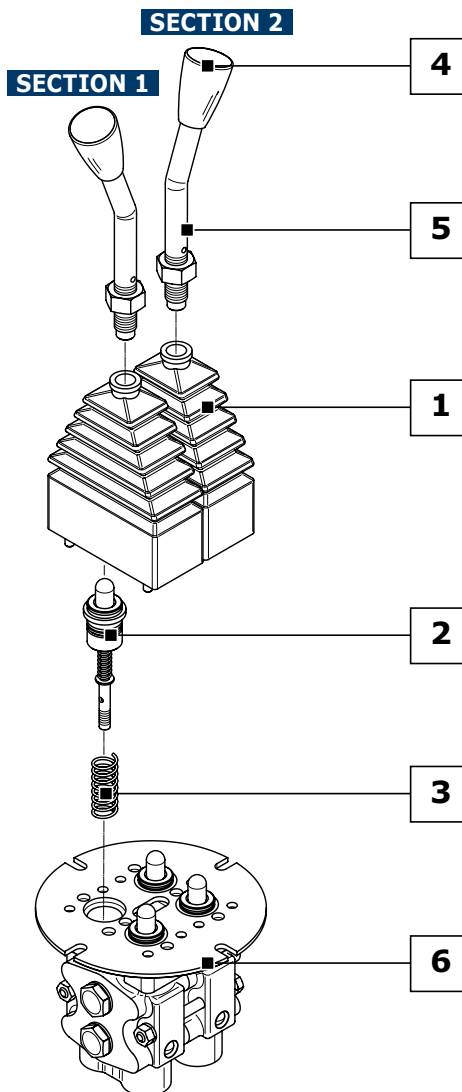




SINGLE AXIS LEVERS TWO MODULES REMOTE CONTROL **RCB**

|  | SECTION 1          | SECTION 2 |
|--|--------------------|-----------|
| <b>ORDER EXAMPLE = RCB: 01 A01 MA M WP110 - 01 A01 MA M WP110 - RA G02</b> |                    |           |
| RCB  | product type       |           |
| <b>1 CONTROL CLASSIFICATION:</b>   |                    |           |
| <b>01</b>  | control type       |           |
| <b>2 METERING CURVE:</b>   |                    |           |
| <b>A01</b>   | curve type         |           |
| <b>3 RETURN SPRING:</b>  |                    |           |
| <b>MA</b>  | return spring type |           |
| <b>4 HANDLE CLASSIFICATION:</b>  |                    |           |
| <b>M</b>   | handle type        |           |
| <b>5 LEVER ROD CLASSIFICATION:</b>   |                    |           |
| <b>WP</b>  | lever rod type     |           |
| <b>110</b>   | lever rod length   |           |
| <b>6 BODY ARRANGEMENT:</b>   |                    |           |
| <b>RA</b>  | body specification |           |
| <b>G02</b>   | body thread        |           |

Ordering row 1,2,3,4 and 5, must be repeated for each working section



|                                    |  |
|------------------------------------|--|
| <b>1 CONTROL CLASSIFICATION:</b>   | (page 30)  |
| <b>01</b>                          | Return spring in neutral                         |
| <b>02</b>                          | Stroke end mechanical detent in position 1 and 2 |
| <b>03</b>                          | Stroke end mechanical detent in position 1       |
| <b>04</b>                          | Stroke end mechanical detent in position 2       |
| <b>2 METERING CURVE:</b>           | (page 70)  |
| <b>A01</b>                         | Linear metering curve with step                  |
| <b>B01</b>                         | Linear metering curve without step               |
| <b>C01</b>                         | Broken line metering curve with step             |
| <b>D01</b>                         | Broken line metering curve without step          |
| <b>3 RETURN SPRING:</b>            | (page 79)  |
| <b>MA</b>                          | Preload 25 N - End stroke load 48 N              |
| <b>MB</b>                          | Preload 14 N - End stroke load 27 N              |
| <b>MC</b>                          | Preload 73 N - End stroke load 135 N             |
| <b>MD</b>                          | Preload 89 N - End stroke load 169 N             |
| <b>4 HANDLE CLASSIFICATION:</b>    | (page 80)  |
| <b>A</b>                           | Without micro-switch                             |
| <b>B</b>                           | With micro-switch to close                       |
| <b>D</b>                           | With dual micro-switch                           |
| <b>M</b>                           | Standard handle                                  |
| <b>5 LEVER ROD CLASSIFICATION:</b> | (page 32)  |
| <b>WV75</b>                        | Standard lever for handle type A-B-C-D (75 mm)   |
| <b>WP110</b>                       | Standard lever for handle type M (110 mm)        |
| <b>6 BODY ARRANGEMENT:</b>         | (page 33)  |
| <b>RA G02</b>                      | Standard Body (G 1/4 ports)                      |
| <b>RA U02</b>                      | Standard Body (9/16"-18 UNF ports)               |



**RCB** SINGLE AXIS LEVERS TWO MODULES REMOTE CONTROL

**CONTROL KIT CLASSIFICATION**

All controls installed on the remote control RCB are interchangeable. Lever rod type must be chosen according to different control kit (see quick reference guide pag. 32). The controls shown correspond to standard configurations; for different applications contact our Commercial Dept.

| Code | Configuration | Schema | Description                                      |
|------|---------------|--------|--|
| 01   |               |        | Return spring in neutral                         |
| 02   |               |        | Stroke end mechanical detent in position 1 and 2 |
| 03   |               |        | Stroke end mechanical detent in position 1       |
| 04   |               |        | Stroke end mechanical detent in position 2       |
| 05   |               |        | Security handle in neutral                       |
| 06   |               |        | Friction   |



SINGLE AXIS LEVERS TWO MODULES REMOTE CONTROL

RCB

| Code | Configuration | Schema | Description   |
|------|---------------|--------|---|
| 12   |               |        | Security handle in neutral with micro-switch open in central position |
| 18   |               |        | Friction with micro-switch closed in central position                 |

MICROSWITCHES SPECIFICATIONS

| description                        | Value         |
|------------------------------------|---------------|
| Direct current load resistive      | 5 A / 30 Vdc  |
| Direct current load inductive      | 3 A / 250 Vac |
| Alternative current load resistive | 5 A / 30 Vdc  |
| Alternative current load inductive | 2 A / 250 Vac |



**RCB** SINGLE AXIS LEVERS TWO MODULES REMOTE CONTROL

**LEVER ROD CLASSIFICATION**

The lever rod kits applied to all the RCB hydraulic remote controls designed by Hydrocontrol change according to the type of control used and, above all, the type of handle. For improved clarity, all the possible lever rod configurations divided according to handle are listed here below. Straight and curved lever rods are available in several lengths and dimensions.

**IDENTIFICATION ROD LEVER HANDLE "A-B-C-D" - QUICK REFERENCE GUIDE**

| Code | Dimensional drawing | Control type |    |    |    |    |    |    |    |
|------|---------------------|--------------|----|----|----|----|----|----|----|
|      |                     | 01           | 02 | 03 | 04 | 05 | 06 | 12 | 18 |
| WV75 |                     | •            | •  | •  | •  |    | •  |    | •  |

**IDENTIFICATION ROD LEVER HANDLE "M" - QUICK REFERENCE GUIDE**

| Code  | Dimensional drawing | Control type |    |    |    |    |    |    |    |
|-------|---------------------|--------------|----|----|----|----|----|----|----|
|       |                     | 01           | 02 | 03 | 04 | 05 | 06 | 12 | 18 |
| WP110 |                     | •            | •  | •  | •  |    | •  |    | •  |
| WT110 |                     |              |    |    |    | •  |    | •  |    |



SINGLE AXIS LEVERS TWO MODULES REMOTE CONTROL **RCB**

**BODY ARRANGEMENT**

The hydraulic remote control RCB has only one setting body, the only variable is represented by a different thread.

| Code   | Configuration | Schema | Description                                   |
|--------|---------------|--------|---|
| RA G02 |               |        | Standard body<br>with ports<br>G 1/4          |
| RA U02 |               |        | Standard body<br>with ports<br>9/16" - 18 UNF |