



RCL3 2 AXIS LEVER + SINGLE AXIS LEVER REMOTE CONTROL WITH ELECTROMAGNETIC DETENT

RCL3 is a remote control specifically designed for Wheel Loaders application. The compact design combines in a single body the two axis control (for boom and bucket) with a third axis (for auxiliary function). Electromagnetic detent is available on all ports. A security electrovalve to activate the remote control is available on request.



TECHNICAL SPECIFICATIONS

Max pressure: **40 bar**

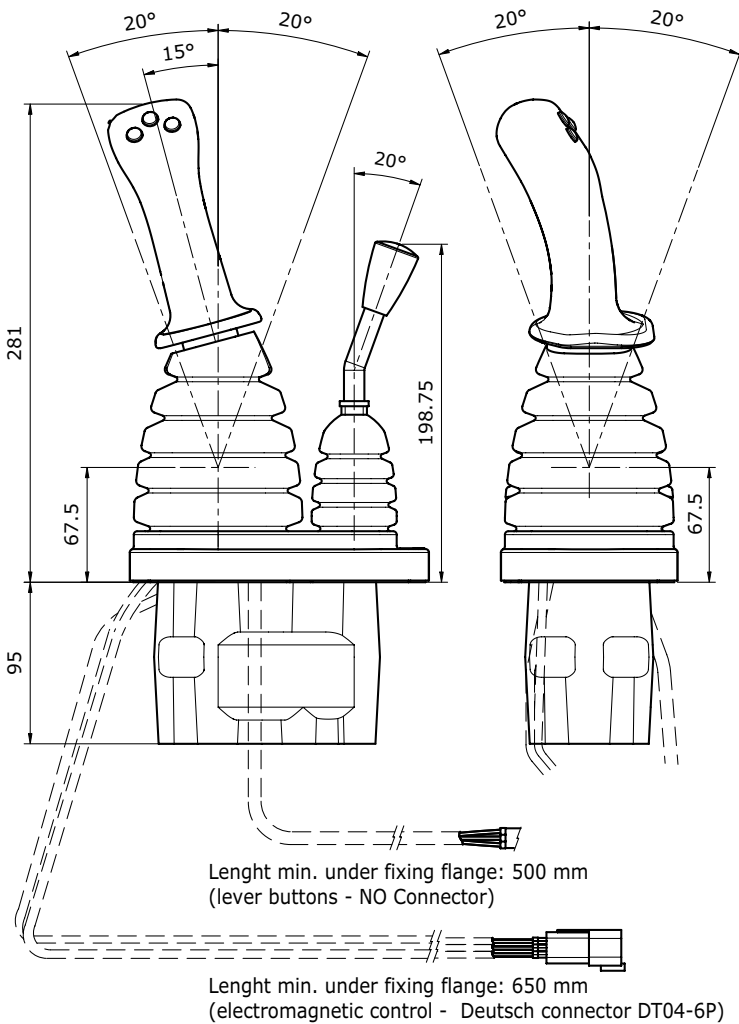
Oil capacity: **12 l/min**

Weight: **4,8 Kg**

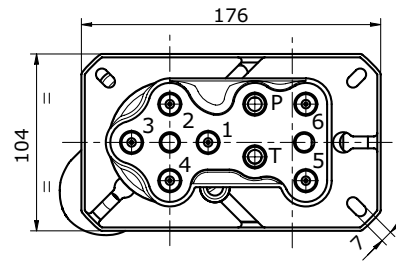
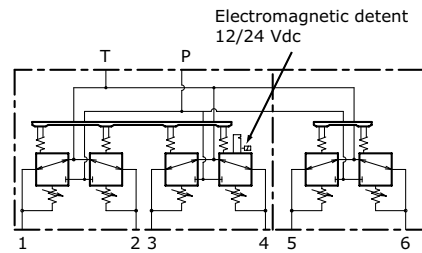
APPLICATIONS

Wheel loaders

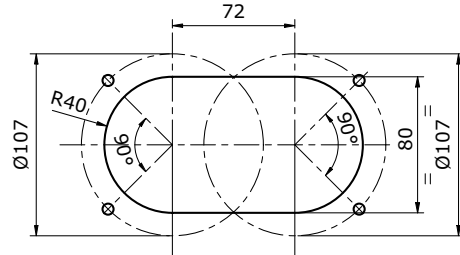
DIMENSIONS



HYDRAULIC SCHEMA



HOLDER HOLE DIMENSION





2 AXIS LEVER + SINGLE AXIS LEVER REMOTE CONTROL WITH ELECTROMAGNETIC DETENT

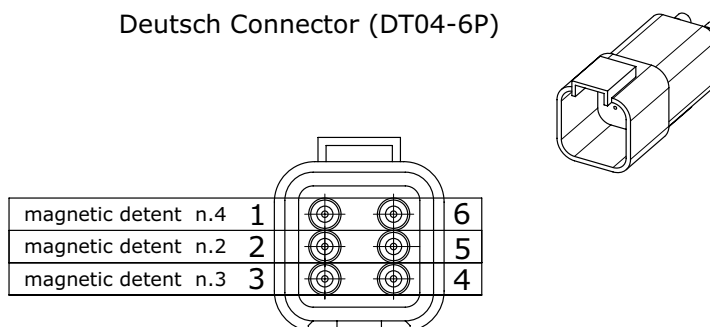
RCL3

ELECTROMAGNETIC DETENT TECHNICAL SPECIFICATION

Description	Value
Supply voltage	12 Vdc +/-20% - 24 Vdc +/-20%
Resistance at 20°C	22W - 94W
Power at 20°C	7W
Duty rating	ED100%
Coil insulation class (IEC 85)	H
Connector	Deutsch DT04-6P
Connector protection (EN 60529)	IP67

A 6-pole Deutsch DT04-6P connector is always used notwithstanding the number of required electromagnetic detents. The drawing here below shows the wiring of the solenoids assembled on the service ports 2, 3 and 4. The Deutsch DT06-6S connector counterpart can be supplied on request by quoting the order code 487200906.

Deutsch Connector (DT04-6P)



OPTIONS

The single-axis remote control is available without any detents, with electromagnetic detent or with mechanical detent.