

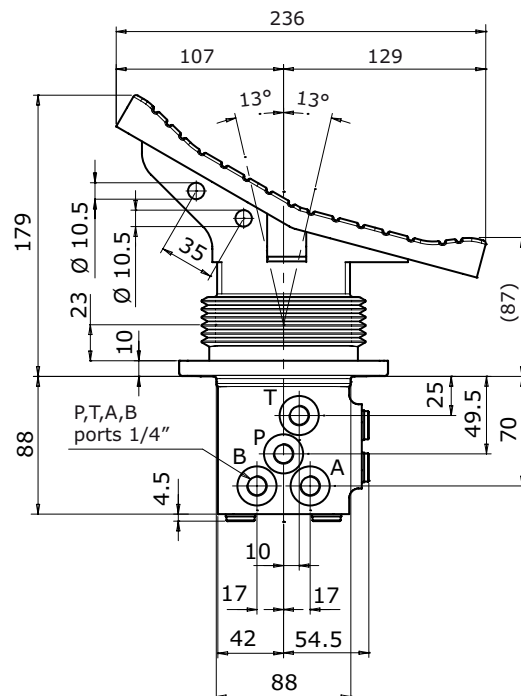
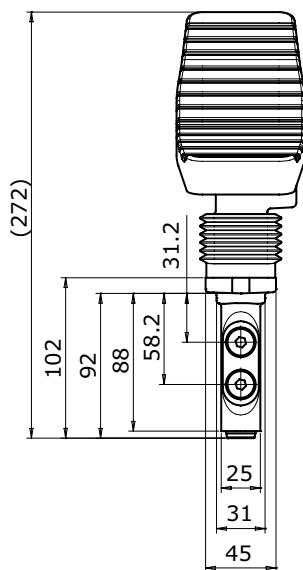
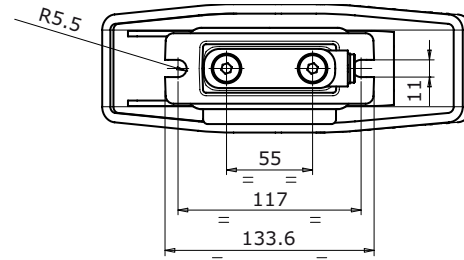
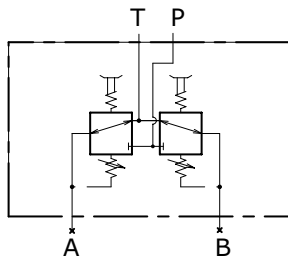


FOOT PEDAL LOWER PORTS **RCS**

RCS DIMENSIONS WITH NARROW BODY

The special design with narrow body is suitable for use on small machines.

HYDRAULIC SCHEMA



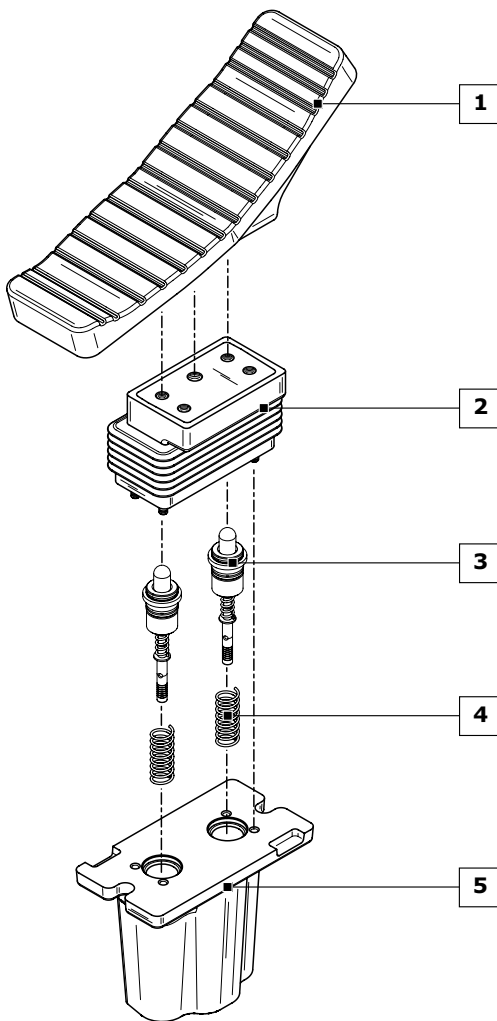


RCS FOOT PEDAL LOWER PORTS

ORDER EXAMPLE = RCS: 02P - 01S - A01T - MD - RA01 G02

- RCS product type _____
- 1 PEDAL CLASSIFICATION:** _____
- 02P** pedal type _____
- 2 CONTROL CLASSIFICATION:** _____
- 01S** control type _____
- 3 METERING CURVE:** _____
- A01T** curve type _____
- 4 RETURN SPRING:** _____
- MA** return spring type _____
- 5 BODY ARRANGEMENT:** _____
- RA01** body specification _____
- G02** body thread _____

Ordering row 3 and 4, must be repeated for each port
complete sample: **RCS: 02P 01S A01T MD A01T MD RA01 G02**



1	PEDAL CLASSIFICATION: (page 49)
00P	Without pedal (prearrangement)
01P	Standard flat pedal
02P	Short pedal tilted 30°
03P	Long pedal tilted 30°
2	CONTROL KIT CLASSIFICATION: (page 49)
01S	Control kit with bellows
2	METERING CURVE: (page 74)
A01T	Linear metering curve with step (tipo A)
B01T	Linear metering curve without step (tipo B)
4	RETURN SPRING: (page 79)
MD	Preload 94 N - End stroke load 149 N
5	BODY ARRANGEMENT: (page 50)
RA01 G02	P - T lower (G 1/4 ports)
RA02 G02	P - T side (G 1/4 ports)
RA11 G02	P - T front A - B lower (G 1/4 ports)
RA12 G02	A - B - P - T side (G 1/4 ports)
RA01 U02	P - T lower (9/16-18 UNF ports)
RA02 U02	P - T side (9/16-18 UNF ports)
RA11 U02	P - T front A - B lower (9/16-18 UNF ports)
RA12 U02	A - B - P - T side (9/16-18 UNF ports)

PEDAL CLASSIFICATION

All controls installed on the foot pedal RCS are interchangeable. Pedals represented correspond to standard configurations; for different applications contact our Commercial Dept.

Code	Dimensions	Configuration	Description
00P			Without pedal (prearrangement)
01P			Standard flat pedal with rubber protection
02P			Short pedal tilted 30° with rubber protection
03P			Long pedal tilted 30° with rubber protection

CONTROL KIT CLASSIFICATION

Only one configuration is available; for different applications contact our Commercial Dept.

Code	Dimensions	Configuration	Description
01S			Control kit with bellows

Metering curves are available equipped with a swing-preventing dampening device; for more informations contact our Commercial Dept.



RCS FOOT PEDAL LOWER PORTS

STANDARD BODY ARRANGEMENT

The listed configurations are all the possible combinations that can be obtained with the RCS standard body; two different pitch threads are available. For different applications contact our Commercial Dept.

Code	Configuration	Description
RA01 G02		Standard body (ports P-T lower) with ports G 1/4
RA01 U02		Standard body (ports P-T lower) with ports 9/16" - 18 UNF
RA02 G02		Body (ports P-T side) with ports G 1/4
RA02 U02		Body (ports P-T side) with ports 9/16" - 18 UNF
RA03 G02		Body (ports A-B-P-T side) with ports G 1/4
RA03 U02		Body (ports A-B-P-T side) with ports 9/16" - 18 UNF
RA04 G02		Body (ports A-B side) (ports P-T lower) with ports G 1/4
RA04 U02		Body (ports A-B side) (ports P-T lower) with ports 9/16" - 18 UNF

FOOT PEDAL LOWER PORTS **RCS**

NARROW BODY ARRANGEMENT

The listed configurations are all the possible combinations that can be obtained with the RCS narrow body; two different pitch threads are available. For different applications contact our Commercial Dept.

Code	Configuration	Description
RA11 G02		Standard body (ports P-T front) (ports A-B lower) with ports G 1/4
RA11 U02		Standard body (ports P-T front) (ports A-B lower) with ports 9/16" - 18 UNF
RA12 G02		Body (ports A-B-P-T side) with ports G 1/4
RA12 U02		Body (ports A-B-P-T side) with ports 9/16" - 18 UNF
RA13 G02		Body (ports P-T side) (ports A-B lower) with ports G 1/4
RA13 U02		Body (ports P-T side) (ports A-B lower) with ports 9/16" - 18 UNF
RA14 G02		Body (ports P-T front) (ports A-B side) with ports G 1/4
RA14 U02		Body (ports P-T front) (ports A-B side) with ports 9/16" - 18 UNF