

NEW

# SVM103

Hydraulic joystick

 **walvoil**  
FLUID POWER E|MOTION



 **walvoil**  
FLUID POWER E|MOTION

A member of



# SVM103

Hydraulic joystick



- Designed for Blade control**
- Very compact size**
- Maximum integration with Walvoil BWH handle**

Walvoil presents the new SVM103 single axis hydraulic joystick, especially designed for Blade control on Mini/Midi-excavator applications.

This small size joystick is suitable for cabin installation with minimum space: the configuration with Walvoil BWH handle emphasizes its compactness and functionality.

SVM103 can use all the pressure control curves of the SVM series standard range.

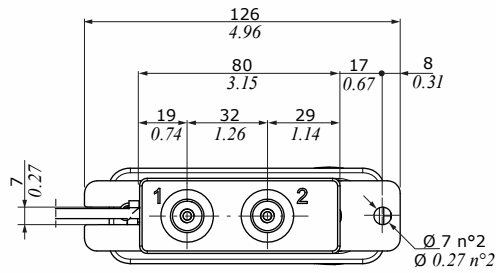
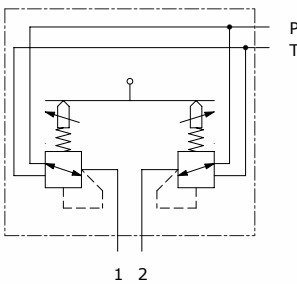
## WORKING CONDITIONS

Min. pressure	30 bar - 435 psi
Max. pressure	100 bar - 1450 psi
Max. rated flow	20 l/min - 5.28 Us gpm
Hydraulic fluid	Mineral based oil
Kinematic viscosity	3 - 400 mm <sup>2</sup> /s - 3 - 400 cSt
Operating temperature	-10/+80°C - 14/+176°F
Contamination	15/12 (ISO/DIN 4406)
Histeresis max.	0.5 bar - 7.25 psi
Max. internal leakage P→T, 30 bar (435 psi)	9 cm <sup>3</sup> /min - 0.54 in <sup>3</sup> /min

# NEW

## Dimensions

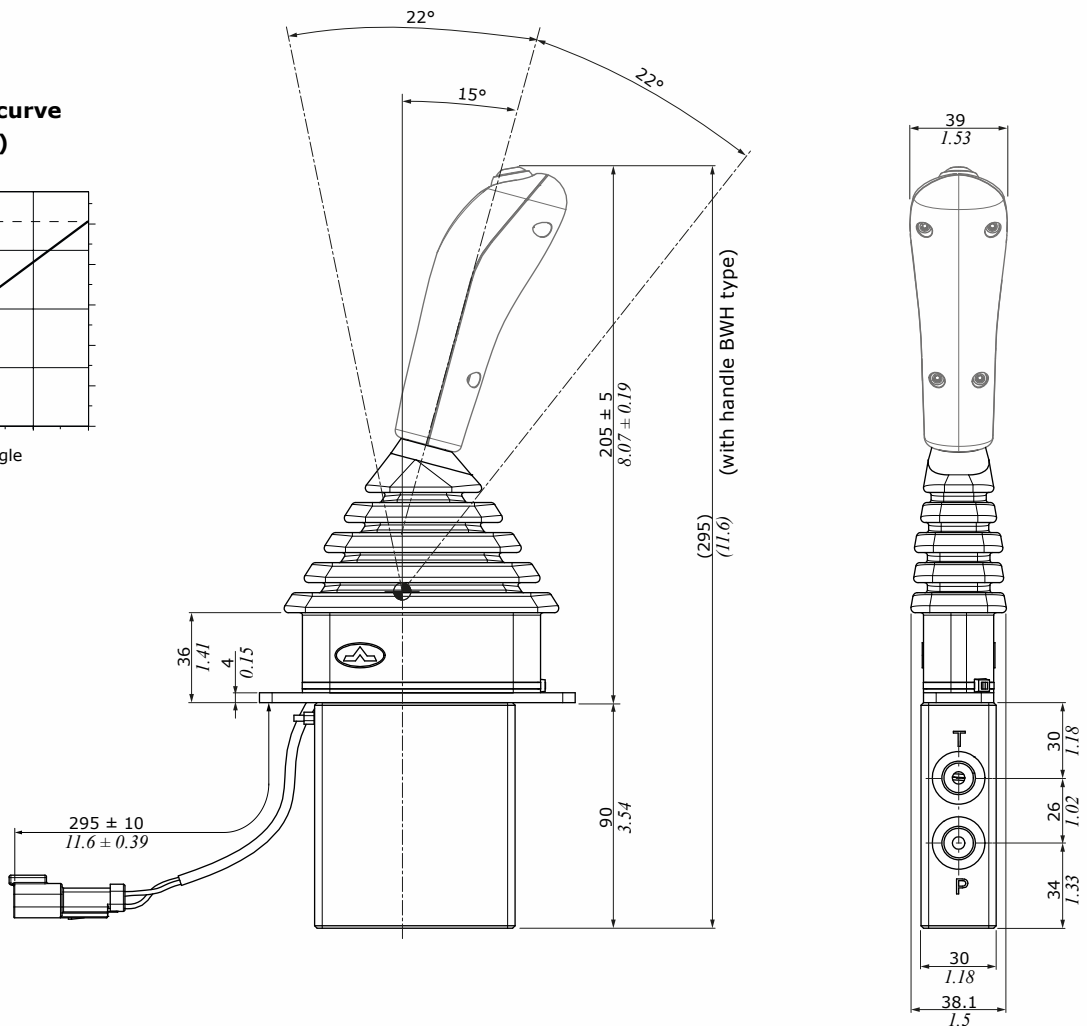
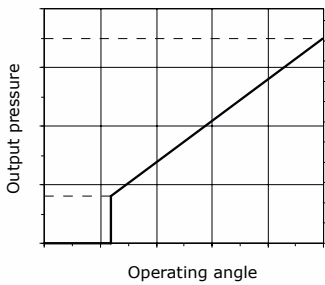
### HYDRAULIC CIRCUIT



### PORTS THREADING

BSP	UN-UNF
G 1/4	9/16-18 (SAE6)

### Straight type curve (example)



 **walvoil**  
FLUID POWER E|MOTION



D1WWCF04E - 1<sup>st</sup> edition November 2020

Walvoil S.P.A. • 42124 Reggio Emilia • Italy • Via Adige, 13/D • Tel. +39.0522.932411 • Fax +39.0522.300984  
[www.walvoil.com](http://www.walvoil.com)

