

NEW

SVM320

Hydraulic joystick

walvoil
FLUID POWER E|MOTION



walvoil
FLUID POWER E|MOTION

A member of



SVM320

Hydraulic joystick



SVM320 is Walvoil's new hydraulic joystick.

Walvoil is offering an innovative, original, solid and reliable product, completely adaptable to customer needs by the modularity of the fixing flanges and the endless possibilities of completion thanks to the compatibility with the whole own range of handles.

Thanks to its design, the new hydraulic joystick allows to manage and regulate flow rates with lower operating forces than entire standard range.

The cast iron body ensure high durability, greater resistance to oil contamination and maintain unchanged characteristics during the joystick life cycle.

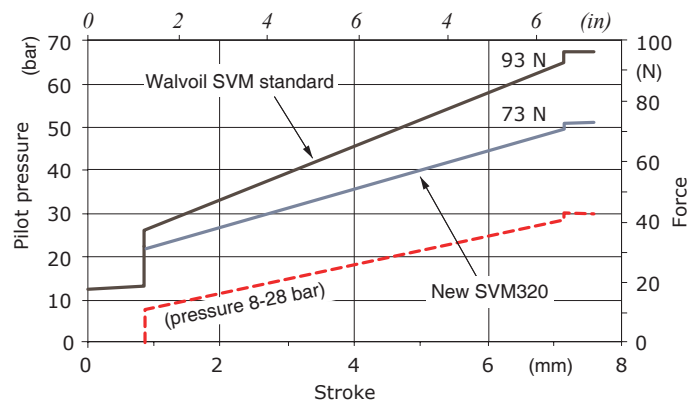
- Low drive force
- Cast iron body for high strength and reliability
- Compatible with all Walvoil handles
- Compact design and dimension

Working conditions

Min. pressure	30 bar - 435 psi
Max. pressure	100 bar - 1450 psi
Max. rated flow	12 l/min - 3.17 Us gpm
Hydraulic fluid	mineral oil
Kinematic viscosity	3 - 400 mm ² /s - 3 - 400 cSt
Operating temperature	-20/+90°C - -4/+194°F
Contamination	18/15 (ISO/DIS 4406)
Internal leakage P → T	max. 18 cm ³ /min - 1.1 in ³ /min

Performance data

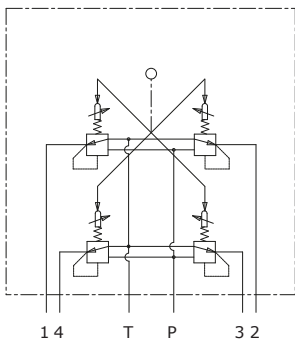
Comparison between SVM320 and std. SVM



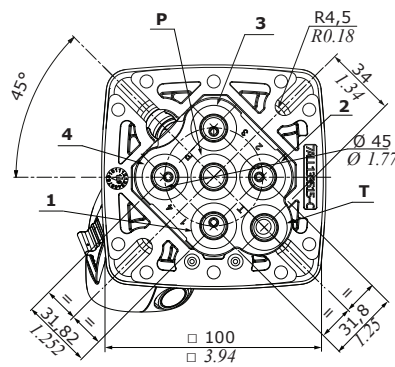
NEW

Dimensions

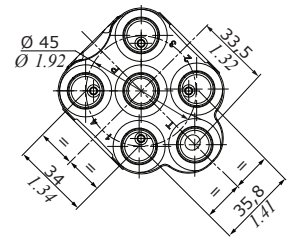
HYDRAULIC CIRCUIT



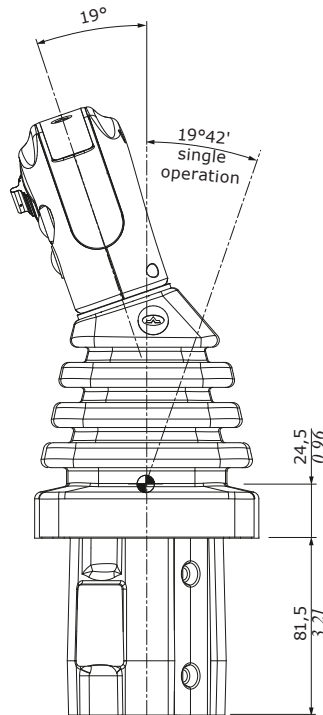
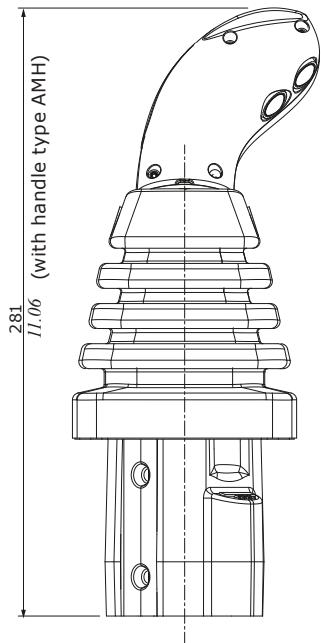
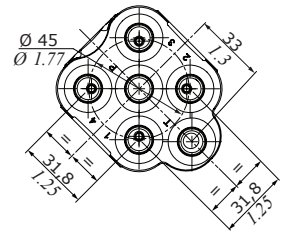
G 1/4 Port Thread



SAE 6 Port Thread



SAE 4 Port Thread

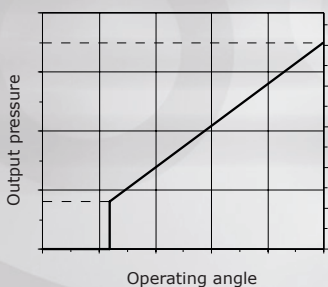


Port thread

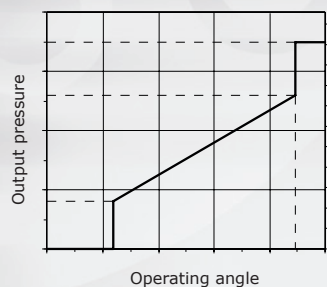
BSP	UN-UNF
1/4	7/16-20 (SAE 4) 9/16-18 (SAE 6)

Available control curve types

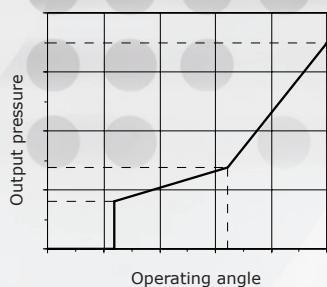
Straight type



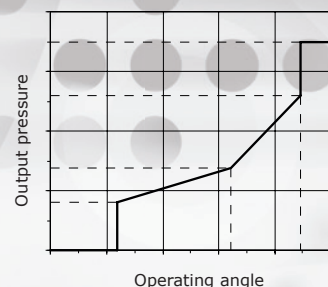
Straight type with step



Piecewise



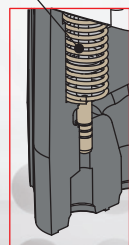
Piecewise with step



Features

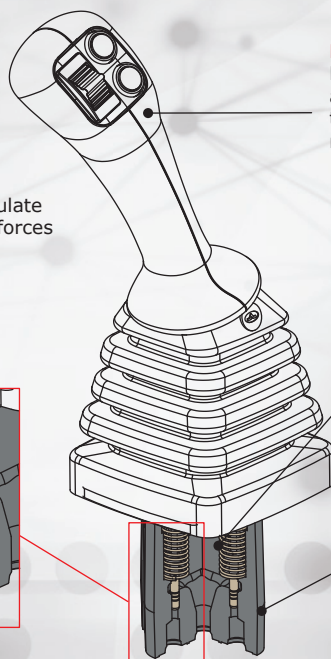
Low drive force

Possibility to manage and regulate flow rates with low operating forces in slow movements and in Bucket-Shaking.



Handles

Endless possibilities to complete and customize the joystick thanks to the compatibility with the whole range of Walvoil handles.



Patented Design

Thanks to a patented design solution, all configurations of this new hydraulic joystick are provided of no-damping system.

High Durability

The cast iron body and the treated spool ensure high durability, greater resistance to oil contamination and maintain unchanged characteristics (such as leakage) during the joystick life cycle.



D1WWCF03E - 1st edition October 2019

