



101 SERIES ISO-A



Manufactured according ISO 7241-A norm, DN13 size meets also ISO 5675 requirements.
Poppet Valve or Ball closing system.
BSP, NPTF, SAE/ORB threads. Others available upon request.

• Materials

Body: Carbon Steel EN -10277-3
O-ring: NBR, Viton or EPDM
Back-Up-Ring: PTFE
Balls: AISI 1010/1015
Springs: Carbon Steel
DIN 17233/84(B)

• Working temperature (O-ring)

	NBR	Viton	EPDM
	+100°C	+200°C	+150°C
	-30°C	-10°C	-40°C

• **Applications:** Designed for Oil hydraulic Applications.

• **Sectors:** Industrial, Agricultural

• Equivalence

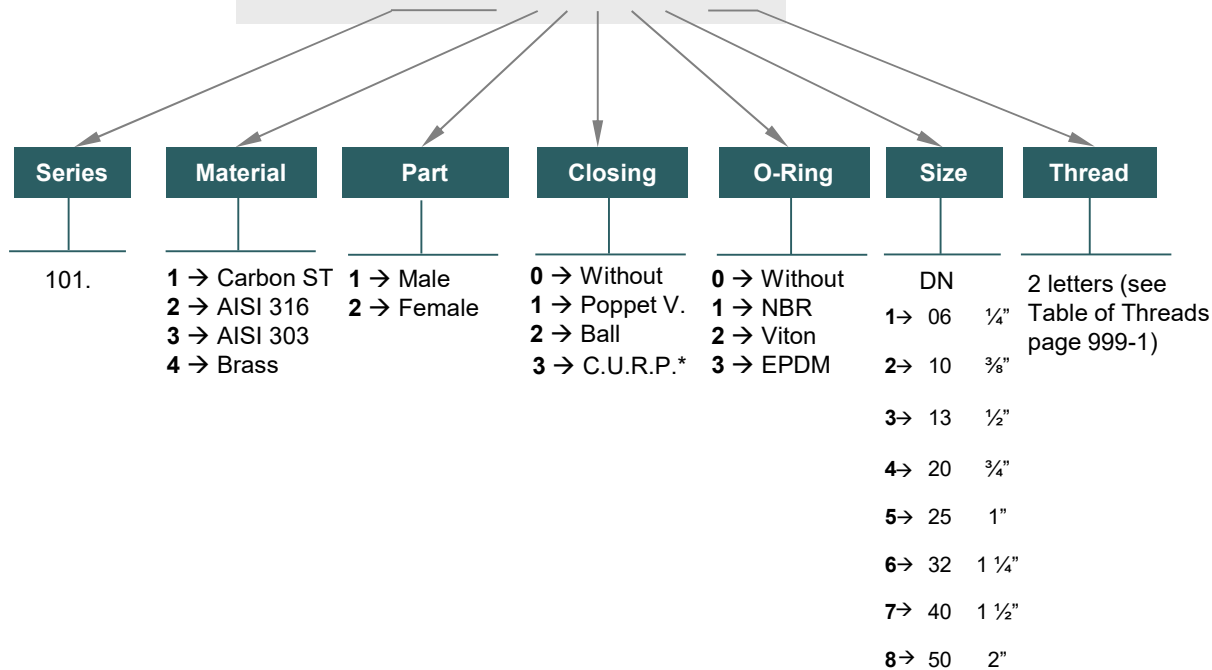
FASTER ANV
AEROQUIP FD56
PARKER 6600
SNAP-TITE 61



MODEL STRUCTURE

Example:

101.11112 AC



* DN13 available only.

101-1

INTEVA reserves the right to make modifications in its products without prior notice.
Any external or internal alteration in our products will automatically void the warranty.



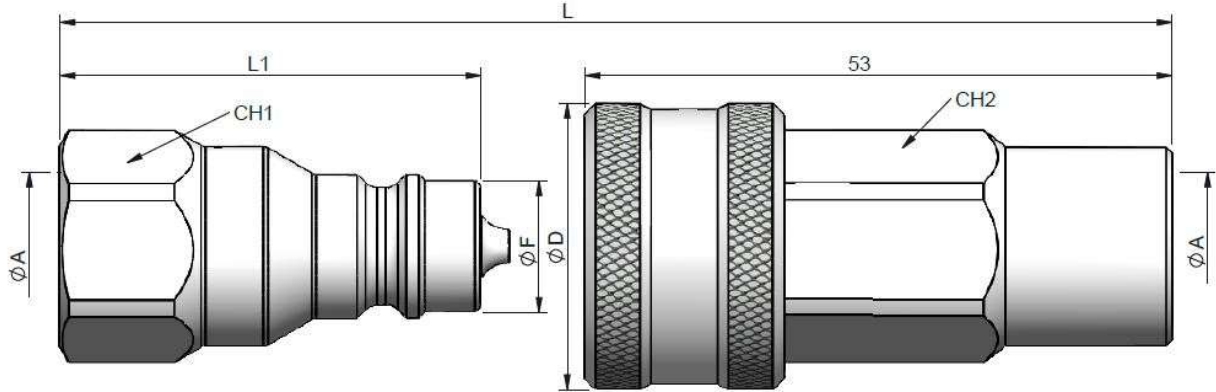
v8



101 SERIES ISO-A



DN06

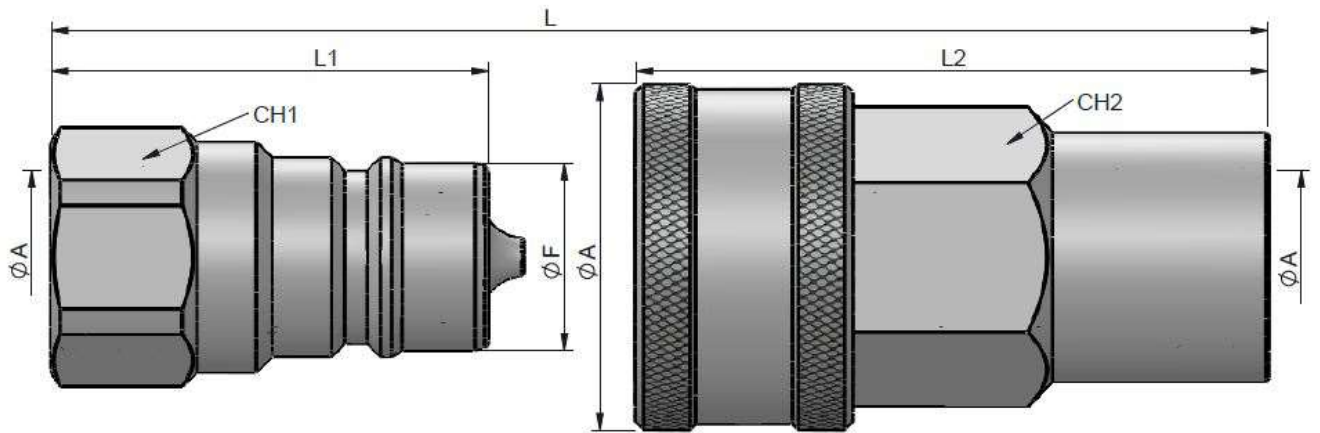


MALE STANDARD MODELS

FEMALE STANDARD MODELS

DN	ØA	REF.		CH1	L1	ØF	L	DN	ØA	REF.		CH2	L2	ØD	L
06	1/4" BSP	101.11111AB	350Bar	19	38	11.80	76	06	1/4" BSP	101.12111AB	350Bar	19	53	26	76
	1/4" NPTF	101.11111BB													

DN10



MALE STANDARD MODELS

FEMALE STANDARD MODELS

DN	ØA	REF.		CH1	L1	ØF	L	DN	ØA	REF.		CH2	L2	ØD	L		
10	3/8" BSP	101.11112AC	300Bar	22	40.5	17.25	81	10	3/8" BSP	101.12112AC	300Bar	24	58.50	32	81		
	3/8" NPTF	101.11112BC														3/8" NPTF	101.12112BC
	3/8" BSPT	101.11112DC														3/8" BSPT	101.12112DC
	9/16" 18ORB	101.11112GC														9/16" 18ORB	101.12112GC

Manufactured according to ISO 7241-A norm.

L= lenght while quick coupling is connected.

101-2

INTEVA reserves the right to make modifications in its products without prior notice.
Any external or internal alteration in our products will automatically void the warranty.



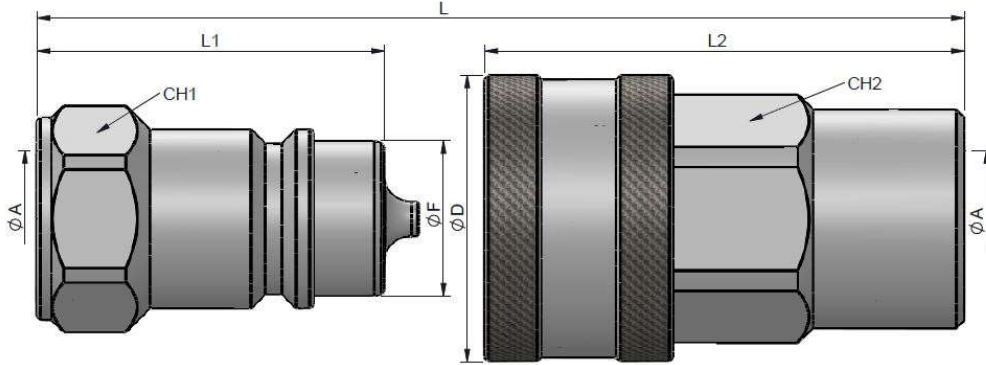
v8



101 SERIES ISO-A



DN13



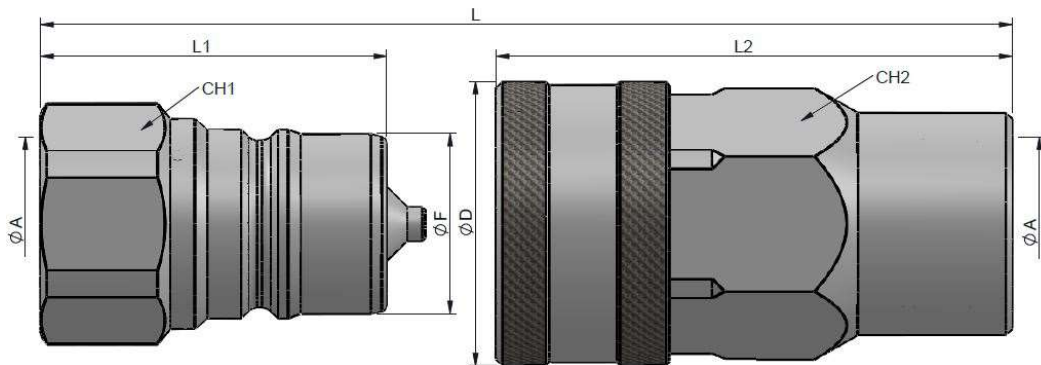
C.U.R.P. connection is available.
Up to 300 Bar.

MALE STANDARD MODELS

FEMALE STANDARD MODELS

DN	ØA	REF.		CH1	L1	ØF	L	DN	ØA	REF.		CH2	L2	ØD	L
13	1/2" BSP	101.11113AD	300Bar	27o30	46	20.56	87.50	1/2" BSP	101.12113AD	M22X1.5	300Bar	30	63.50	38	87.50
	1/2" NPTF	101.11113BD						1/2" NPTF	101.12113BD						
	3/4" - 16ORB	101.11113GF		3/4" - 16ORB				101.12113GF							
	7/8" - 14ORB	101.11113GH		7/8" - 14ORB				101.12113GH							

DN20



MALE STANDARD MODELS

FEMALE STANDARD MODELS

DN	ØA	REF.		CH1	L1	ØF	L	DN	ØA	REF.		CH2	L2	ØD	L
20	3/4" BSP	101.11114AE	250Bar	36	56	29	112	3/4" BSP	101.12114AE	1 1/16" - 12ORB	250Bar	38	83.5	46	112
	3/4" NPTF	101.11114BE						3/4" NPTF	101.12114BE						
	1 1/16" - 12ORB	101.11114GK						1 1/16" - 12ORB	101.12114GK						

Manufactured according to ISO 7241-A norm, DN13 size meets as well ISO 5675 requirements.

L= lenght while quick coupling is connected.

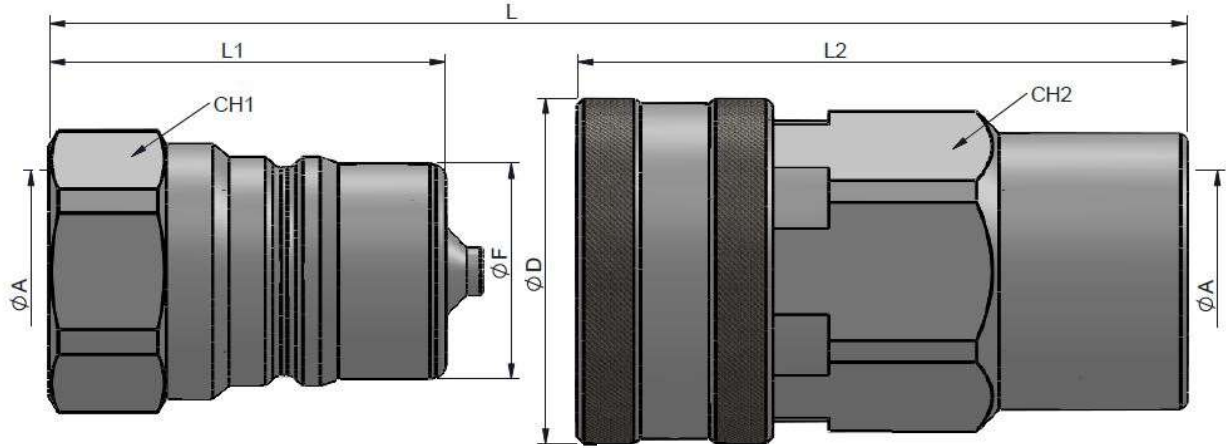
101-3



101 SERIES ISO-A



DN25

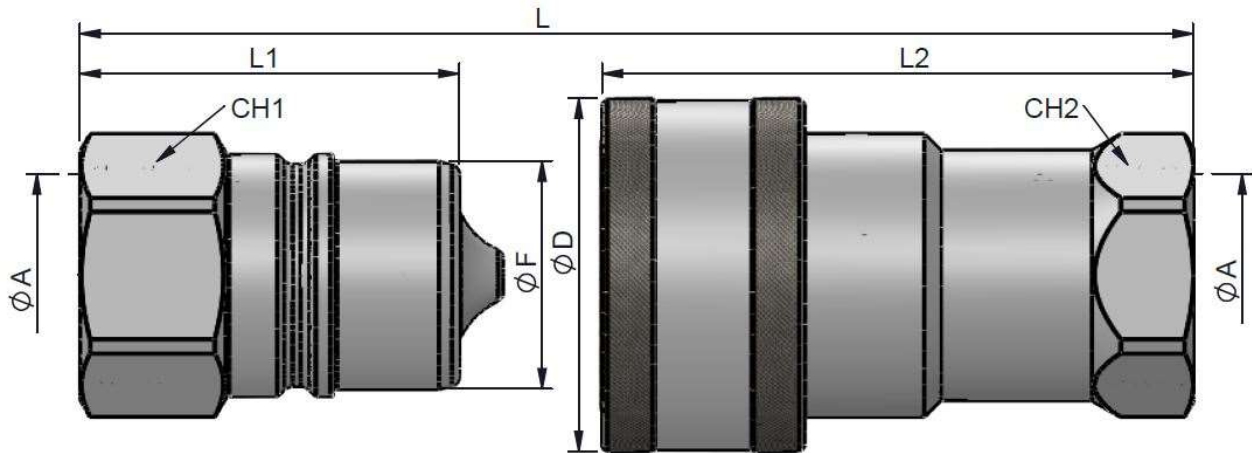


MALE STANDARD MODELS

FEMALE STANDARD MODELS

DN	ØA	REF.		CH1	L1	ØF	L	DN	ØA	REF.		CH2	L2	ØD	L
25	1" BSP	101.11115AF	230Bar	41	63	34.30	126	25	1"	101.12115AF	230Bar	46	97	55	126
	1" NPTF	101.12115BF													
	1 5/16"-12ORB	101.12115GO													

DN32



MALE STANDARD MODELS

FEMALE STANDARD MODELS

DN	ØA	REF.		CH1	L1	ØF	L	DN	ØA	REF.		CH2	L2	ØD	L
32	1 1/4" BSP	101.11116AG	230Bar	50	75	45	150	32	1 1/4" BSP	101.12116AG	230Bar	50	117	70	150
	1 1/4" NPTF	101.11116BG								101.12116BG					

Manufactured according to ISO 7241-A norm.

L= lenght while quick coupling is connected.

101-4

INTEVA reserves the right to make modifications in its products without prior notice.
Any external or internal alteration in our products will automatically void the warranty.



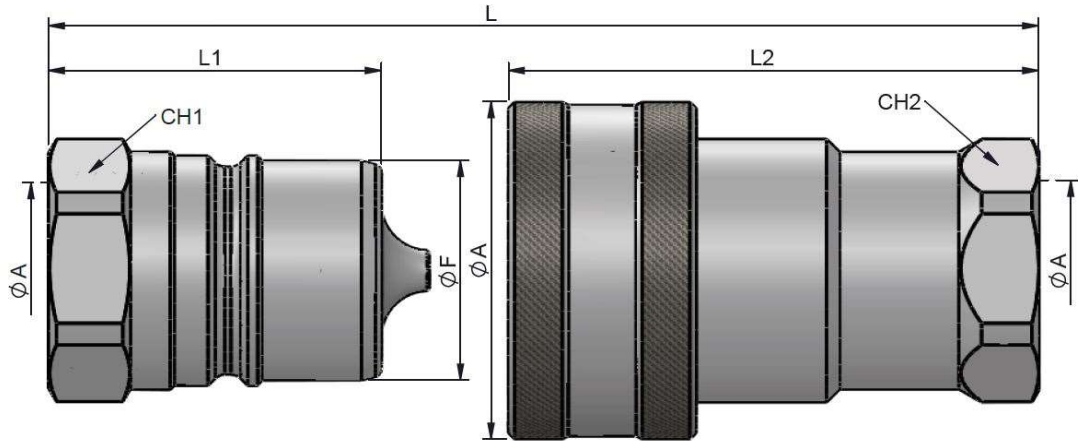
v8



101 SERIES ISO-A



DN40

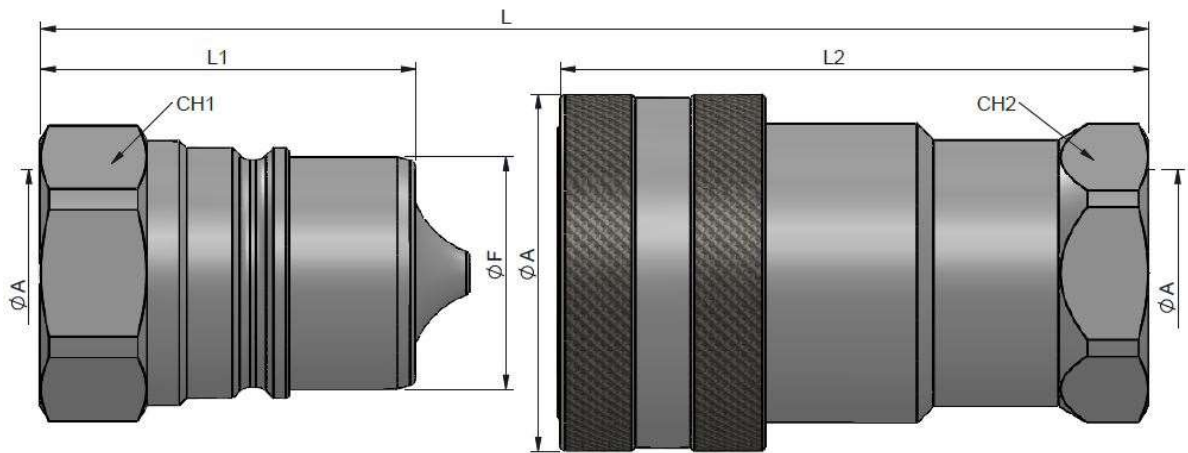


MALE STANDARD MODELS

FEMALE STANDARD MODELS

DN	ØA	REF.		CH1	L1	ØF	L	DN	ØA	REF.		CH2	L2	ØD	L
40	1 1/2" BSP	101.11117AH	200Bar	60	83.5	55	167	40	1 1/2" BSP	101.12117AH	200Bar	60	133	84.50	167
	1 1/2" NPTF	101.11117BH								101.12117BH					

DN50



MALE STANDARD MODELS

FEMALE STANDARD MODELS

DN	ØA	REF.		CH1	L1	ØF	L	DN	ØA	REF.		CH2	L2	ØD	L
50	2" BSP	101.11118AI	130Bar	75	105	65.10	210	50	2" BSP	101.12118AI	130Bar	75	165	100	210
	2" NPTF	101.11118BI								101.12118BI					

Manufactured according to ISO 7241-A norm.

L= lenght while quick coupling is connected.

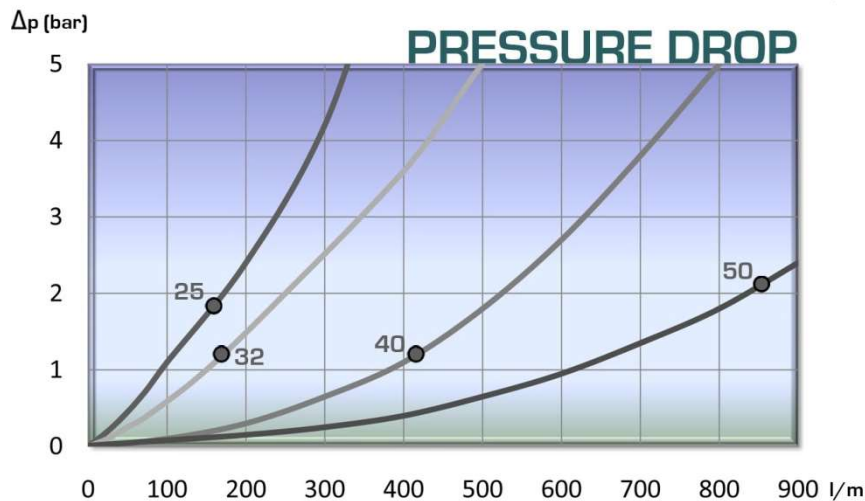
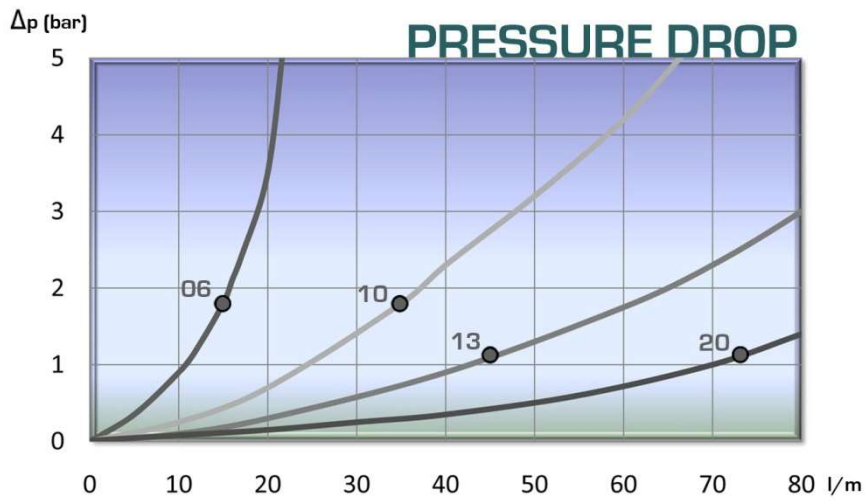


101 SERIES ISO-A



TECHNICAL DATA					
DN	Rated Flow	Min Burst Pressure (Bar)			Working Pressure
		Male	Female	Connected	
06	15 l/min	1650	1800	1400	350
10	35 l/min	1250	1350	1200	300
13	45 l/min	1200	1300	1200	300
20	74 l/min	1030	1200	1000	250
25	100 l/min	950	980	920	230
32	118 l/min	800	950	920	230
40	410 l/min	750	850	800	200
50	860 l/min	620	650	520	130

Test performed according to ISO 18869



101-3



INTEVA reserves the right to make modifications in its products without prior notice.
Any external or internal alteration in our products will automatically void the warranty.

v8



101 SERIES

ISO-A AISI 316



Manufactured according ISO 7241-A norm, DN13 size meets also ISO 5675 requirements.
 Poppet Valve or Ball closing system.
 BSP, NPTF, SAE/ORB threads. Others available upon request.

• Materials

Body: *AISI 303 / AISI316 / BRASS DIN-EN-12164*
 O-ring: *NBR , Viton or EPDM*
 Back-Up-Ring: *PTFE*
 Balls: *AISI 316W 14401*
 Springs: *AISI302 DIN 17224*

• Working temperature (O-ring)

	NBR	Viton	EPDM
	+100°C	+200°C	+150°C
	-30°C	-10°C	-40°C

• **Applications:** Designed for Oil hydraulic Applications.

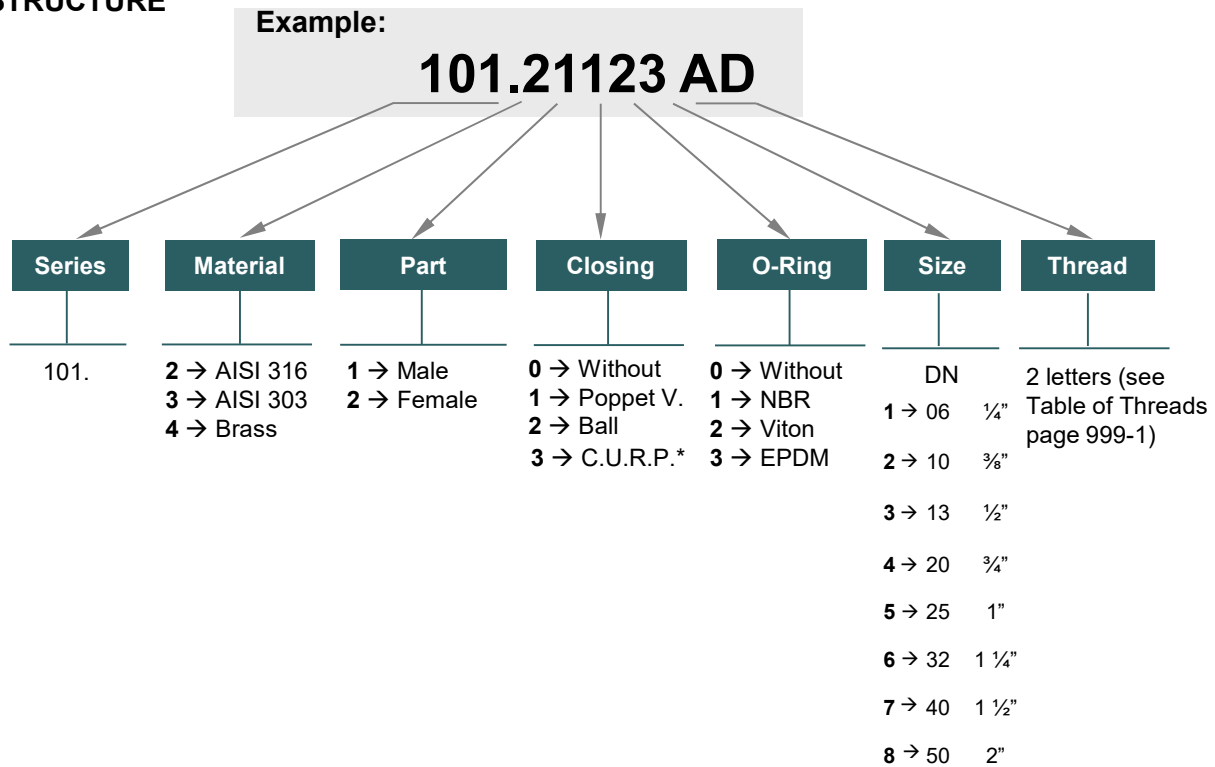
• **Sectors:** Chemical, Industrial, Offshore Industry

• Equivalence

FASTER ANV
 AEROQUIP FD56
 PARKER 6600
 SNAP-TITE 61



MODEL STRUCTURE



* DN13 available only.

101-4

INTEVA reserves the right to make modifications in its products without prior notice.
 Any external or internal alteration in our products will automatically void the warranty.



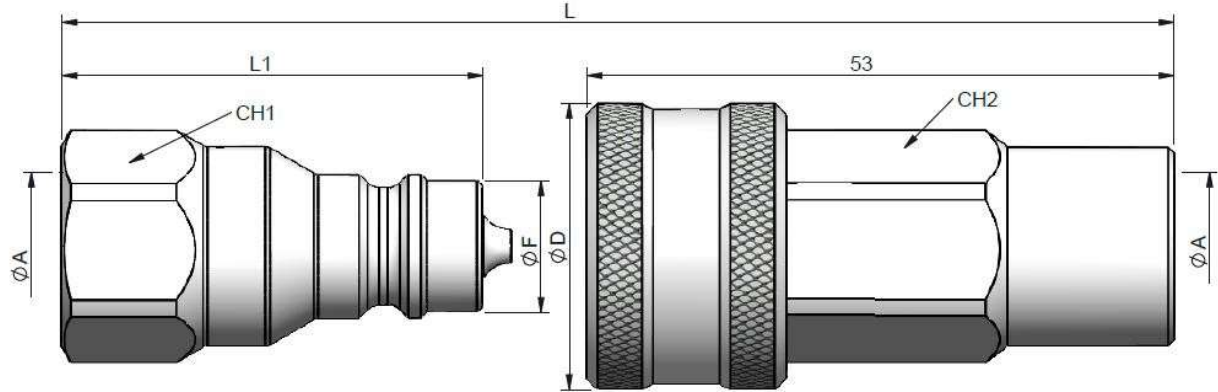


101 SERIES

ISO-A AISI 316



DN06

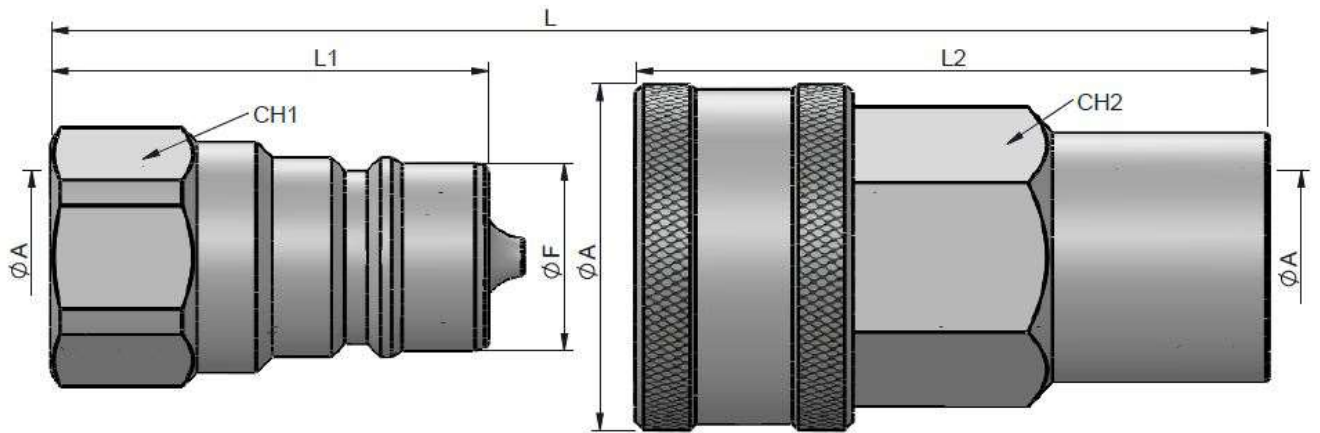


MALE STANDARD MODELS

FEMALE STANDARD MODELS

DN	ØA	REF.		CH1	L1	ØF	L	DN	ØA	REF.		CH2	L2	ØD	L
06	1/4" BSP	101.21121AB	280Bar	19	38	11.80	76	06	1/4" BSP	101.22121AB	280Bar	19	53	26	76
	1/4" NPTF	101.21121BB													

DN10



MALE STANDARD MODELS

FEMALE STANDARD MODELS

DN	ØA	REF.		CH1	L1	ØF	L	DN	ØA	REF.		CH2	L2	ØD	L		
10	3/8" BSP	101.21122AC	260Bar	22	40.5	17.25	81	10	3/8" BSP	101.22122AC	260Bar	24	58.50	32	81		
	3/8" NPTF	101.21122BC														3/8" NPTF	101.22122BC
	3/8" BSPT	101.21122DC														3/8" BSPT	101.22122DC
	9/16" 18ORB	101.21122GC														9/16" 18ORB	101.22122GC

Manufactured according to ISO 7241-A norm.

L= lenght while quick coupling is connected.

101-2

INTEVA reserves the right to make modifications in its products without prior notice. Any external or internal alteration in our products will automatically void the warranty.



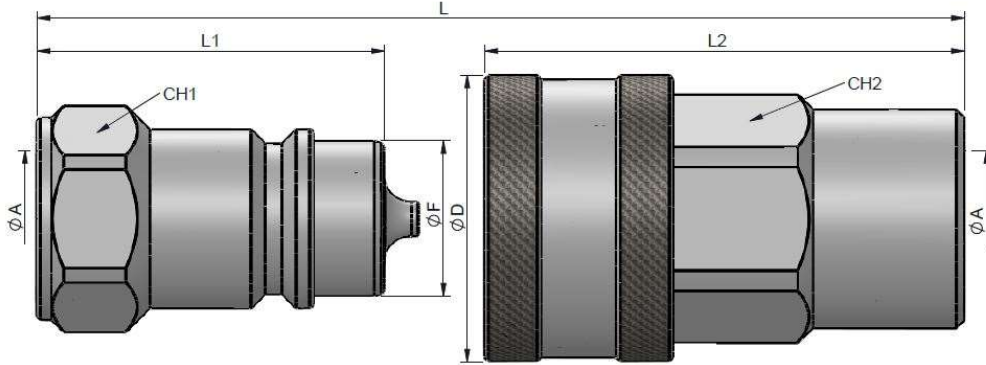


101 SERIES

ISO-A AISI 316

INTEVA

DN13



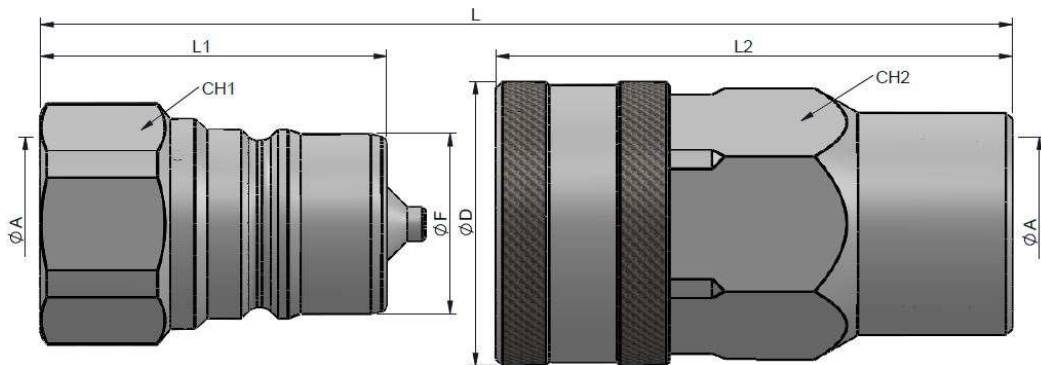
C.U.R.P. connection is available.
Up to 260 Bar.

MALE STANDARD MODELS

FEMALE STANDARD MODELS

DN	ØA	REF.		CH1	L1	ØF	L	DN	ØA	REF.		CH2	L2	ØD	L
13	1/2" BSP	101.21123AD	260Bar	27o30	46	20.56	87.50	1/2" BSP	101.22123AD	30	63.50	38	87.50		
	1/2" NPTF	101.21123BD						1/2" NPTF	101.22123BD						
	3/4" - 16ORB	101.21123GF		3/4" - 16ORB				101.22123GF							
	7/8" - 14ORB	101.21123GH		7/8" - 14ORB				101.22123GH							

DN20



MALE STANDARD MODELS

FEMALE STANDARD MODELS

DN	ØA	REF.		CH1	L1	ØF	L	DN	ØA	REF.		CH2	L2	ØD	L
20	3/4" BSP	101.21124AE	210Bar	36	56	29	112	3/4" BSP	101.22124AE	38	83.5	46	112		
	3/4" NPTF	101.21124BE						3/4" NPTF	101.22124BE						
	1 1/16" - 12ORB	101.21124GK						1 1/16" - 12ORB	101.22124GK						

Manufactured according to ISO 7241-A norm, DN13 size meets as well ISO 5675 requirements.

L= lenght while quick coupling is connected.

101-3

INTEVA reserves the right to make modifications in its products without prior notice.
Any external or internal alteration in our products will automatically void the warranty.



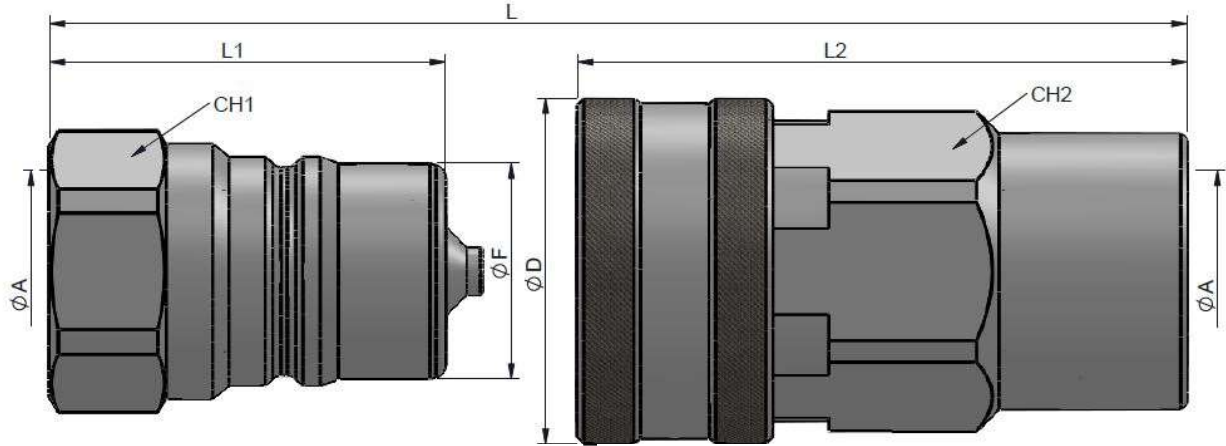


101 SERIES

ISO-A AISI 316



DN25

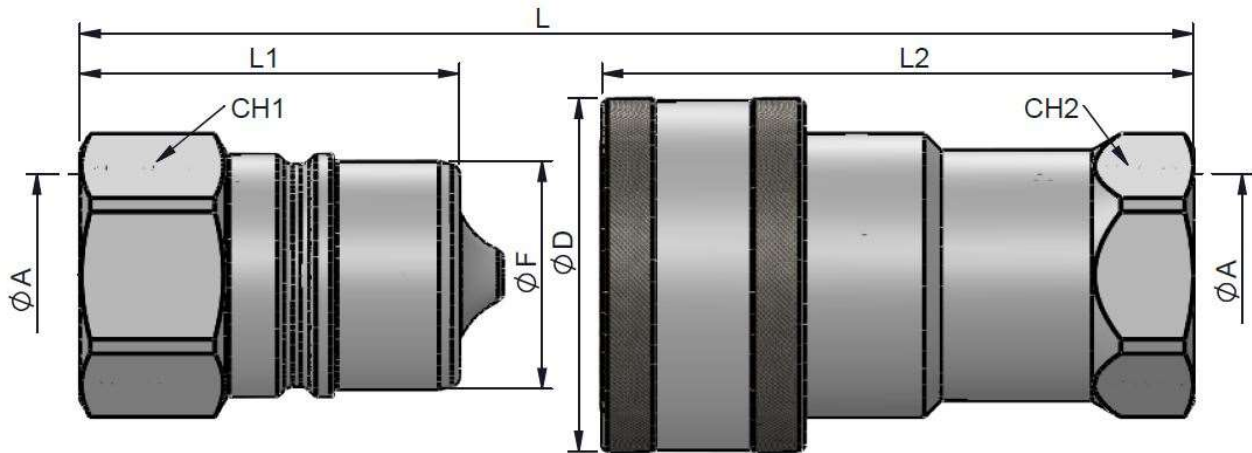


MALE STANDARD MODELS

FEMALE STANDARD MODELS

DN	ØA	REF.		CH1	L1	ØF	L	DN	ØA	REF.		CH2	L2	ØD	L
25	1" BSP	101.21125AF	210Bar	41	63	34.30	126	25	1" BSP	101.22125AF	210Bar	46	97	55	126
	1" NPTF	101.21125BF							1" NPTF	101.22125BF					
	1 5/16"-12ORB	101.21125GO							1 5/16"-12ORB	101.22125GO					

DN32



MALE STANDARD MODELS

FEMALE STANDARD MODELS

DN	ØA	REF.		CH1	L1	ØF	L	DN	ØA	REF.		CH2	L2	ØD	L
32	1 1/4" BSP	101.21126AG	140Bar	50	75	45	150	32	1 1/4" BSP	101.22126AG	140Bar	50	117	70	150
	1 1/4" NPTF	101.21126BG							1 1/4" NPTF	101.22126BG					

Manufactured according to ISO 7241-A norm.

L= lenght while quick coupling is connected.

101-4

INTEVA reserves the right to make modifications in its products without prior notice.
Any external or internal alteration in our products will automatically void the warranty.



v8

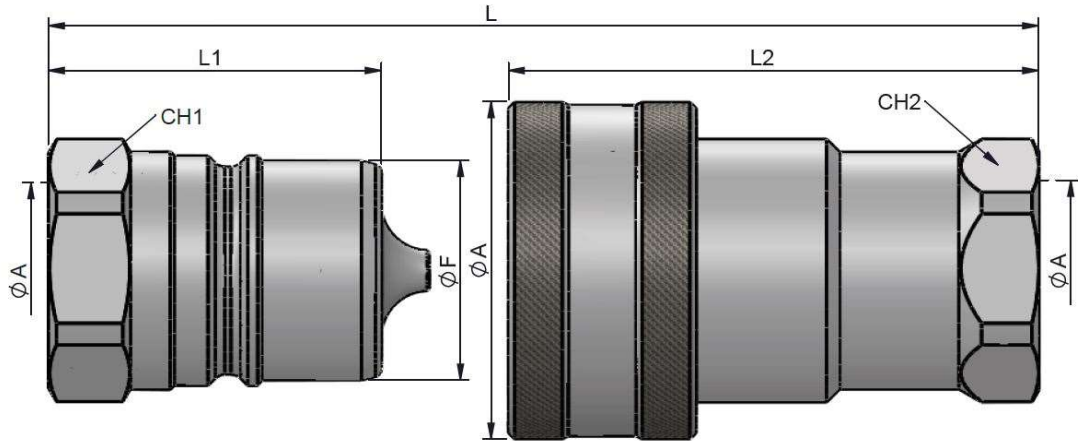


101 SERIES

ISO-A AISI 316



DN40

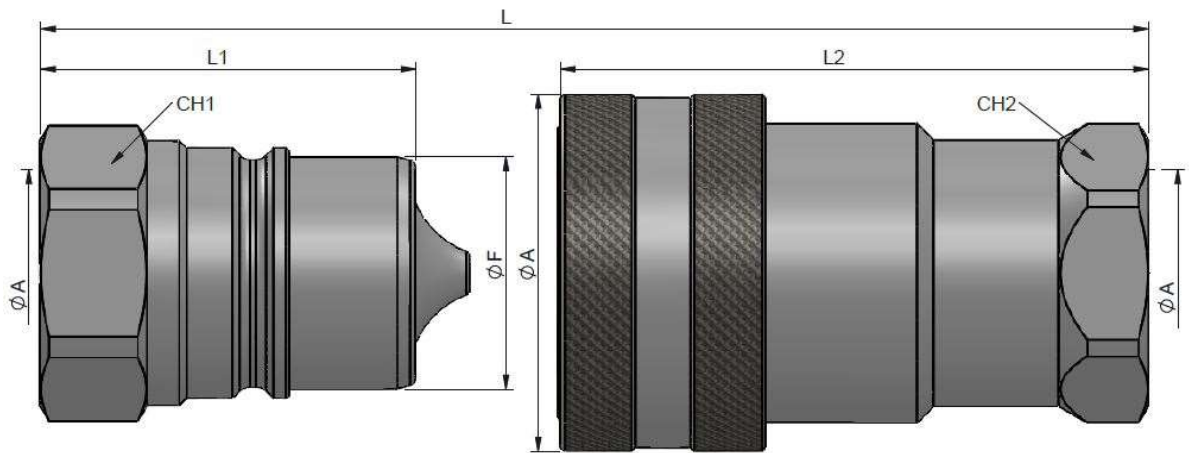


MALE STANDARD MODELS

FEMALE STANDARD MODELS

DN	ØA	REF.		CH1	L1	ØF	L	DN	ØA	REF.		CH2	L2	ØD	L
40	1 1/2" BSP	101.21127AH	120Bar	60	83.5	55	167	40	1 1/2" BSP	101.22127AH	120Bar	60	133	84.50	167
	1 1/2" NPTF	101.21127BH													

DN50



MALE STANDARD MODELS

FEMALE STANDARD MODELS

DN	ØA	REF.		CH1	L1	ØF	L	DN	ØA	REF.		CH2	L2	ØD	L
50	2" BSP	101.21128AI	100Bar	75	105	65.10	210	50	2" BSP	101.22128AI	100Bar	75	165	100	210
	2" NPTF	101.21128BI													

Manufactured according to ISO 7241-A norm.

L= lenght while quick coupling is connected.



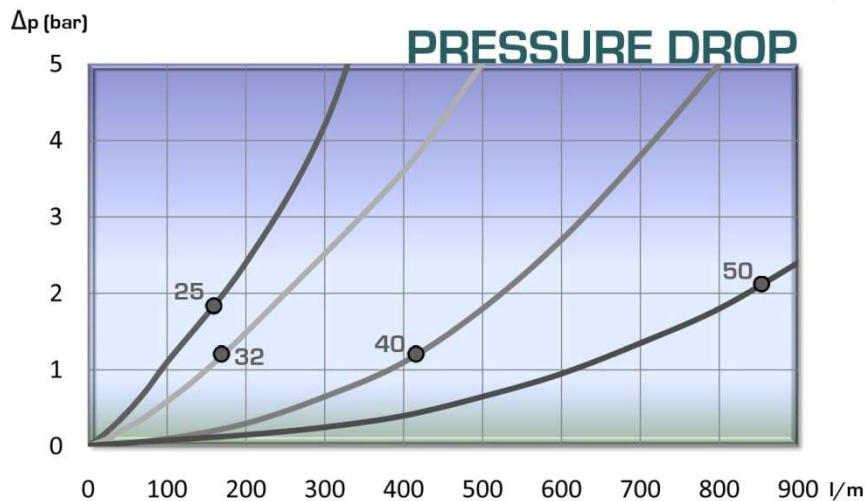
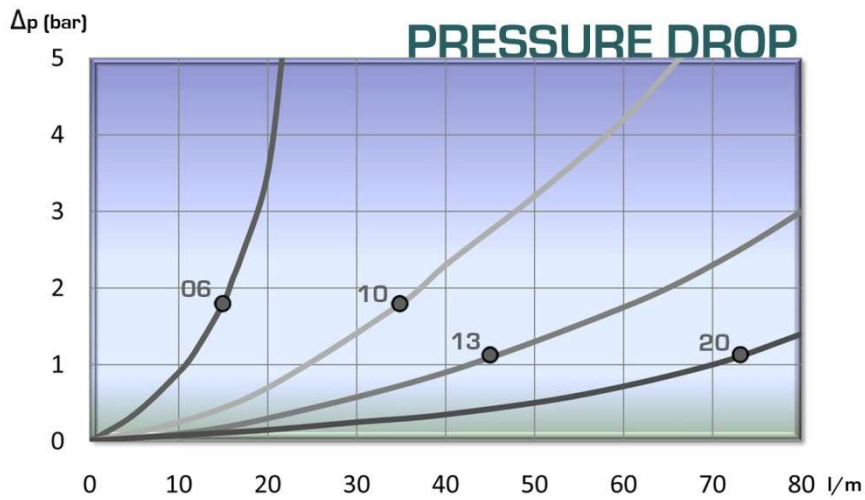
101 SERIES

ISO-A AISI 316



TECHNICAL DATA					
DN	Rated Flow	Min Burst Pressure (Bar)			Working Pressure
		Male	Female	Connected	
06	15 l/min	1150	1200	1250	280
10	35 l/min	1060	1075	1200	260
13	45 l/min	1050	1150	1200	260
20	74 l/min	855	875	900	210
25	100 l/min	850	875	900	210
32	118 l/min	500	500	650	140
40	410 l/min	480	500	600	120
50	860 l/min	405	415	550	100

Test performed according to ISO 18869



101-6





101 SERIES

ISO-A PLUGS & CAPS

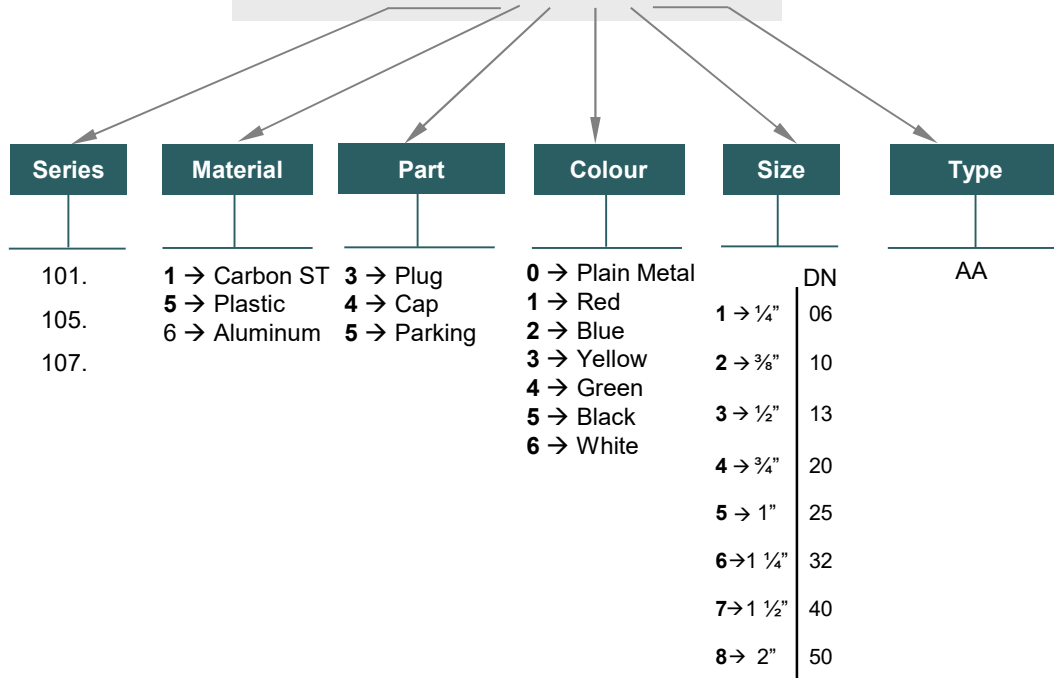


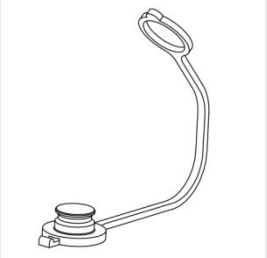
ISO A SERIES PLUGS/ CAPS have been designed to protect FEMALE (coupler) or MALE (nipple) parts while they are disconnected.

Manufactured according to ISO 7241-A norm, DN13 size meets as well ISO 5675 requirements.

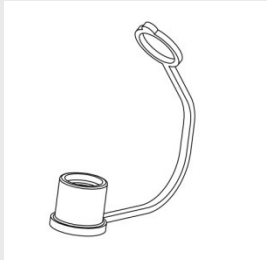
Example:

101.5313 AA





PLUG						
DN	RED	BLUE	YELLOW	GREEN	BLACK	WHITE
06	101.5311AA	*	*	*	*	*
10	101.5312AA	*	*	*	*	*
13	101.5313AA	*	*	*	*	*
20	101.5314AA	*	*	*	*	*
25	101.5315AA	*	*	*	*	*



CAP						
DN	RED	BLUE	YELLOW	GREEN	BLACK	WHITE
06	101.5411AA	*	*	*	*	*
10	101.5412AA	*	*	*	*	*
13	101.5413AA	*	*	*	*	*
20	101.5414AA	*	*	*	*	*
25	101.5415AA	*	*	*	*	*

* Available upon request.

101-7

INTEVA reserves the right to make modifications in its products without prior notice. Any external or internal alteration in our products will automatically void the warranty.



v8

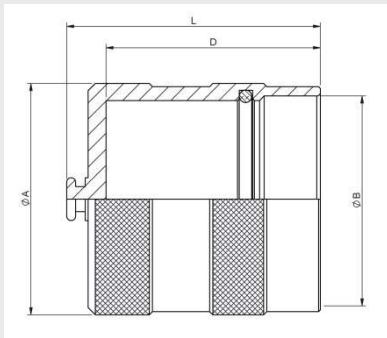


101 SERIES

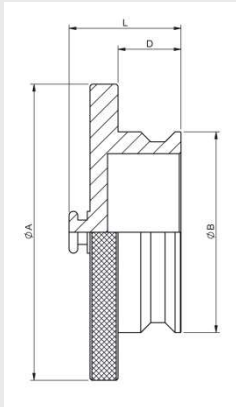
ISO-A PLUGS & CAPS
ALUMINUM



ISO A SERIES PLUGS/ CAPS have been designed to protect **FEMALE** (coupler) or **MALE** (nipple) parts while they are disconnected.
Manufactured according to ISO 7241-A norm.



CAP					
DN	$\varnothing A$	REF.	$\varnothing B$	L	D
32	59	101.6406AA	48	66	55
40	64,8	101.6407AA	57,8	71	60
50	80	101.6408AA	70,2	80	75



PLUG					
DN	$\varnothing A$	REF.	$\varnothing B$	L	D
32	69,5	101.6306AA	47,7	30	16
40	84,8	101.6307AA	57,5	32	18
50	100	101.6308AA	69,8	33	25



101 SERIES

ISO-A PARKINGS



PARKING 3B			
DN	REF.	ØA	L
13	101.1533AA	32	34

PARKING 1T			
DN	REF.	ØA	L
13	101.1533AC	30	38

PARKING 6B			
DN	REF.	ØA	L
13	101.1533AB	34	38



102 SERIES

ISO-A MULTI-THREADS



Manufactured according ISO 7241-A norm, DN13 size meets also ISO 5675 requirements.
 Poppet Valve or Ball closing system.
 BSP, NPTF, SAE/ORB threads. Other threads available upon request.

• Materials

Body: Carbon Steel EN -10277-3
 O-ring: NBR, Viton or EPDM
 Back-Up-Ring: PTFE
 Balls: AISI 1010/1015
 Springs: Carbon Steel
 DIN 17233/84(B)

• Working temperature (O-ring)

	NBR	Viton	EPDM
+	+100°C	+200°C	+150°C
-	-30°C	-10°C	-40°C

• Applications: Designed for Oil hydraulic Applications.

• Sectors: Industrial, Agricultural

• Equivalence

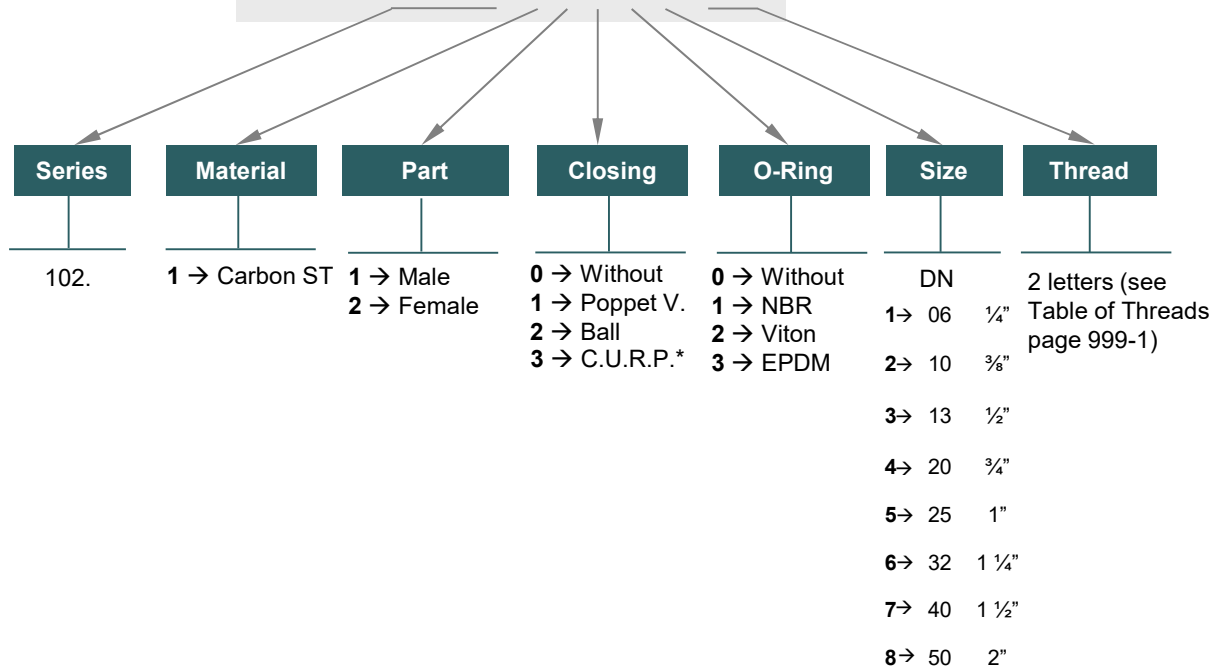
FASTER ANV
 AEROQUIP FD56
 PARKER 6600
 SNAP-TITE 61



MODEL STRUCTURE

Example:

102.11112 JE



* DN13 available only.

102-1

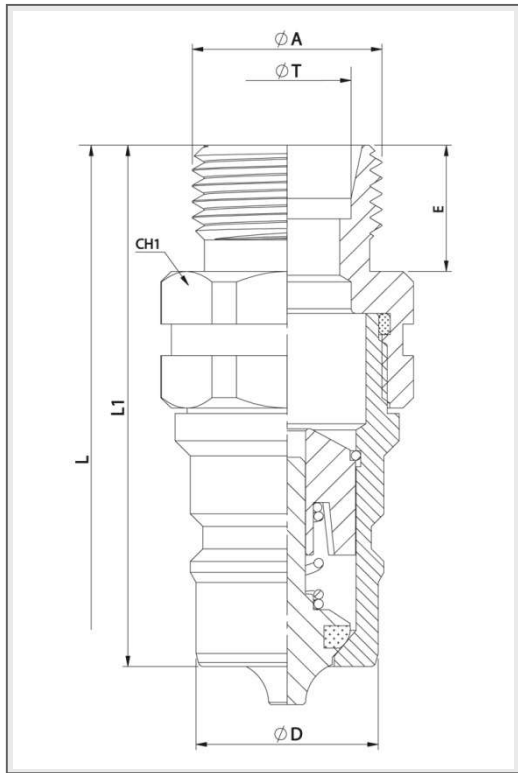
INTEVA reserves the right to make modifications in its products without prior notice.
 Any external or internal alteration in our products will automatically void the warranty.





102 SERIES

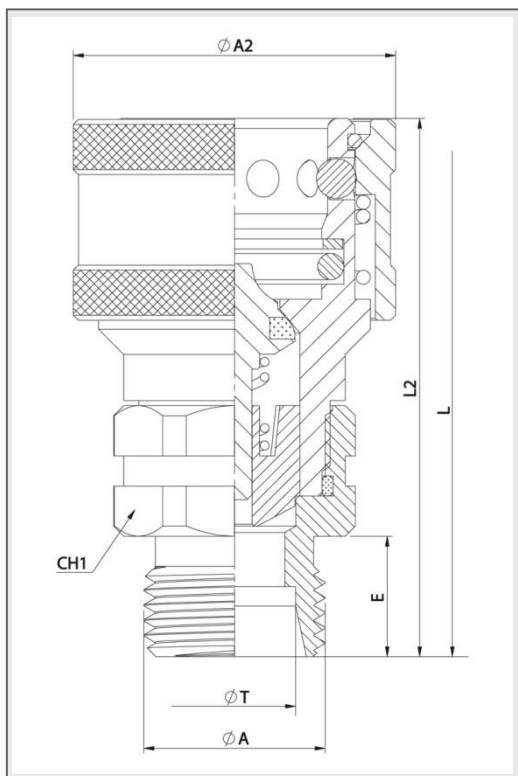
ISO-A DIN 2353



STANDARD MALE MODELS									
DN	ØA	ØT	REF.		CH1	L1	ØD	E	L
06	M12x1,5	6L	102.11111JB	350Bar	19	*	11,8	12	*
	M14x1,5	8L	102.11111JC						
	M18x1,5	12L	102.11112JE						
10	M14x1,5	8L	102.11112JC	300Bar	22	*	17,25	12	*
	M16x1,5	10L	102.11112JD						
	M18x1,5	12L	102.11112JE						
13	M14x1,5	8L	102.11113JC	300Bar	27	*	20,56	12	*
	M16x1,5	10L	102.11113JD						
	M18x1,5	12L	102.11113JE						
20	M22x1,5	15L	102.11113JG	250Bar	36	*	29	12	*
	M26x1,5	18L	102.11114JI						
	M30x2	22L	102.11114JJ						
25	M26x1,5	18L	102.11115JI	230Bar	41	*	34,3	18	*
	M30x2	22L	102.11115JJ						
	M36x2	28L	102.11115JK						
	M45x2	35L	102.11115JM					16	
10	M16x1,5	8S	102.11112KD	300Bar	22	*	17,25	12	*
	M18x1,5	10S	102.11112KE						
	M20x1,5	12S	102.11112KF						
13	M18x1,5	10S	102.11113KE	300Bar	27	*	20,56	12	*
	M20x1,5	12S	102.11113KF						
	M22x1,5	14S	102.11113KG						
20	M24x1,5	16S	102.11113KH	250Bar	36	*	29	12	*
	M24x1,5	16S	102.11114KH						
	M30x2	20S	102.11114KJ						
25	M30x2	20S	102.11115KJ	230Bar	41	*	34,3	18	*
	M36x2	25S	102.11115KK						
	M42x2	30S	102.11115KL						
	M52x2	38S	102.11115KN		55			20	

Light Series

Heavy Series



STANDARD FEMALE MODELS									
DN	ØA	ØT	REF.		CH1	L2	ØA2	E	L
06	M12x1,5	6L	102.12111JB	350Bar	19	*	26	12	*
	M14x1,5	8L	102.12111JC						
	3/8" BSP M.	*	102.12112AN						
10	M14x1,5	8L	102.12112JC	300Bar	22	*	32	12	*
	M16x1,5	10L	102.12112JD						
	M18x1,5	12L	102.12112JE						
13	M14x1,5	8L	102.12113JC	300Bar	27	*	38	12	*
	M16x1,5	10L	102.12113JD						
	M18x1,5	12L	102.12113JE						
20	M22x1,5	15L	102.12113JG	250Bar	36	*	46	12	*
	M26x1,5	18L	102.12114JI						
	M30x2	22L	102.12114JJ						
25	M26x1,5	18L	102.12115JI	230Bar	41	*	55	18	*
	M30x2	22L	102.12115JJ						
	M36x2	28L	102.12115JK						
	M45x2	35L	102.12115JM					16	
10	M16x1,5	8S	102.12112KD	300Bar	22	*	32	12	*
	M18x1,5	10S	102.12112KE						
	M20x1,5	12S	102.12112KF						
13	M18x1,5	10S	102.12113KE	300Bar	27	*	38	12	*
	M20x1,5	12S	102.12113KF						
	M22x1,5	14S	102.12113KG						
20	M24x1,5	16S	102.12113KH	250Bar	36	*	46	12	*
	M24x1,5	16S	102.12114KH						
	M30x2	20S	102.12114KJ						
25	M30x2	20S	102.12115KJ	230Bar	41	*	55	18	*
	M36x2	25S	102.12115KK						
	M42x2	30S	102.12115KL						
	M52x2	38S	102.12115KN		55			20	

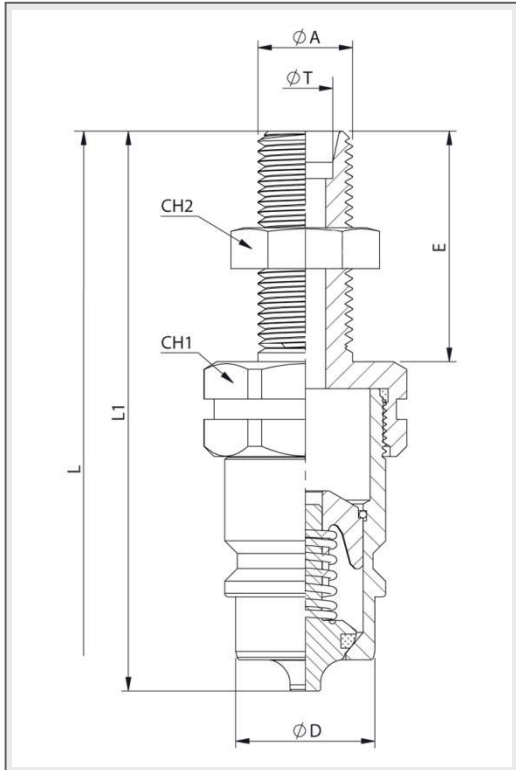
Light Series

Heavy Series



102 SERIES

ISO-A DIN 2353

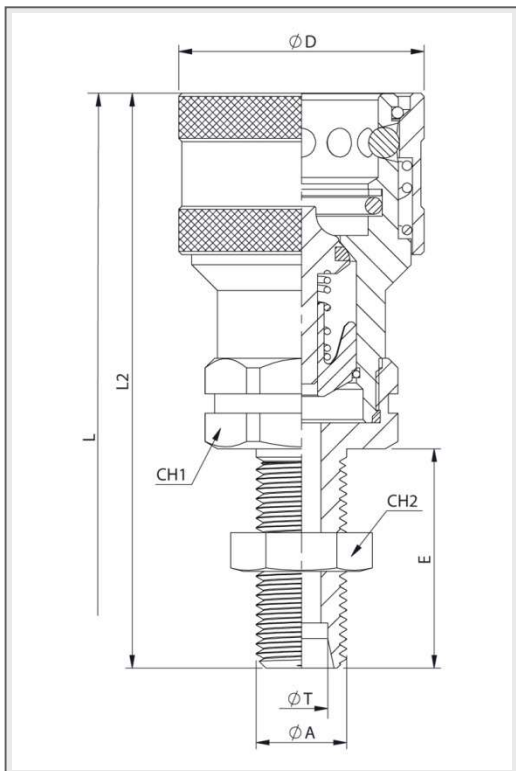


STANDARD MALE MODELS											
DN	ϕA	ϕT	REF.		CH1	CH2	L1	ϕD	E	L	
06	M12x1,5	6L	102.1111LB	350Bar	19	19	*	11,8	25	*	
	M14x1,5	8L	102.1111LC						34		
	M14x1,5	8L	102.1112LC						34		
10	M16x1,5	10L	102.1112LD	300Bar	22	22	*	17,25	26	*	
	M18x1,5	12L	102.1112LE						27		
	M14x1,5	8L	102.1113LC						19		34
13	M16x1,5	10L	102.1113LD	300Bar	27	24	*	20,56	24	*	
	M18x1,5	12L	102.1113LE						27		35
	M22x1,5	15L	102.1113LG						27		33
	M26x1,5	18L	102.1113LI						30		26
	M18x1,5	12L	102.1114LE						24		33
20	M22x1,5	15L	102.1114LG	250Bar	36	27	*	29	33	*	
	M26x1,5	18L	102.1114LI						30		34
	M30x2	22L	102.1114LJ						36		34
	M30x2	22L	102.1115LJ						36		34
25	M36x2	28L	102.1115LK	230Bar	41	41	*	34,3	34	*	
	M45x2	35L	102.1115LM						55		36

Light Series

10	M16x1,5	8S	102.1112MD	300Bar	22	22	*	17,25	27	*	
	M18x1,5	10S	102.1112ME						24		
	M20x1,5	12S	102.1112MF						22		24
13	M18x1,5	10S	102.1113ME	300Bar	27	22	*	20,56	24	*	
	M20x1,5	12S	102.1113MF						22		35
	M22x1,5	14S	102.1113MG						27		30
	M24x1,5	16S	102.1113MH						30		29
20	M24x1,5	16S	102.1114MH	250Bar	36	30	*	29	29	*	
	M30x2	20S	102.1114MJ						36		36
	M30x2	20S	102.1115MJ						36		35
	M36x2	25S	102.1115MK						41		38
25	M42x2	30S	102.1115ML	230Bar	41	50	*	34,3	38	*	
	M42x2	30S	102.1115ML						50		40
	M52x2	38S	102.1115MN						65		40

Heavy Series



STANDARD FEMALE MODELS											
DN	ϕA	ϕT	REF.		CH1	CH2	L2	ϕD	E	L	
06	M12x1,5	6L	102.1211LB	350Bar	19	19	*	11,8	25	*	
	M14x1,5	8L	102.1211LC						34		
	M14x1,5	8L	102.1212LC						34		
10	M16x1,5	10L	102.1212LD	300Bar	22	22	*	17,25	26	*	
	M18x1,5	12L	102.1212LE						27		
	M14x1,5	8L	102.1213LC						19		34
13	M16x1,5	10L	102.1213LD	300Bar	27	24	*	20,56	24	*	
	M18x1,5	12L	102.1213LE						27		35
	M22x1,5	15L	102.1213LG						27		33
	M26x1,5	18L	102.1213LI						30		26
	M18x1,5	12L	102.1214LE						24		33
20	M22x1,5	15L	102.1214LG	250Bar	36	27	*	29	33	*	
	M26x1,5	18L	102.1214LI						30		34
	M30x2	22L	102.1214LJ						36		34
	M30x2	22L	102.1215LJ						36		34
25	M36x2	28L	102.1215LK	230Bar	41	41	*	34,3	34	*	
	M45x2	35L	102.1215LM						55		36

Light Series

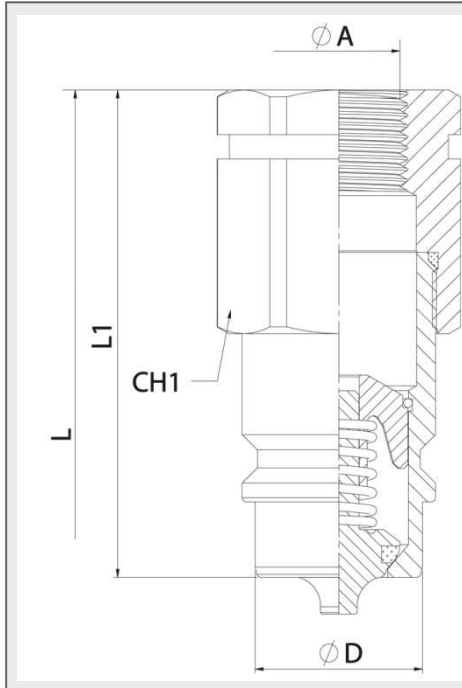
10	M16x1,5	8S	102.1212MD	300Bar	22	22	*	17,25	27	*	
	M18x1,5	10S	102.1212ME						24		
	M20x1,5	12S	102.1212MF						22		24
13	M18x1,5	10S	102.1213ME	300Bar	27	22	*	20,56	24	*	
	M20x1,5	12S	102.1213MF						22		35
	M22x1,5	14S	102.1213MG						27		30
	M24x1,5	16S	102.1213MH						30		29
20	M24x1,5	16S	102.1214MH	250Bar	36	30	*	29	29	*	
	M30x2	20S	102.1214MJ						36		36
	M30x2	20S	102.1215MJ						36		35
	M36x2	25S	102.1215MK						41		38
25	M42x2	30S	102.1215ML	230Bar	41	50	*	34,3	38	*	
	M42x2	30S	102.1215ML						50		40
	M52x2	38S	102.1215MN						65		40

Heavy Series



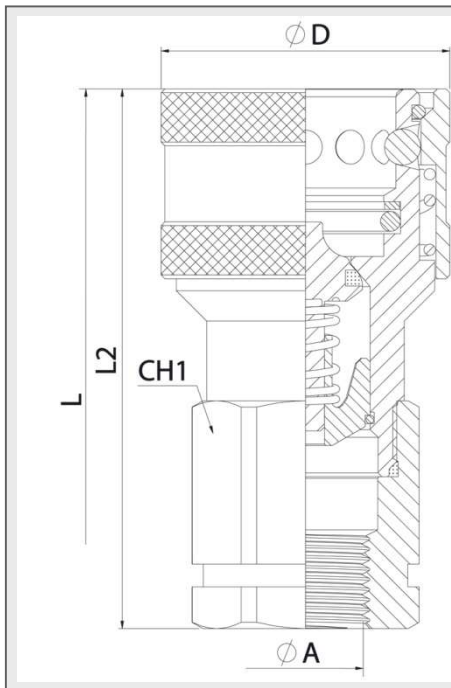
102 SERIES

ISO-A MULTI-THREADS

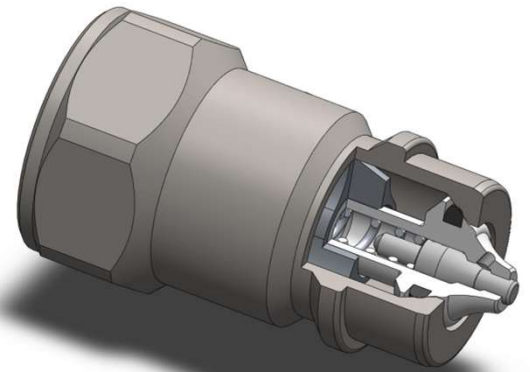


MALE				
DN	CH1	L1	ØD	L
06	19	*	11,8	*
10	22	*	17,25	*
13	27	*	20,56	*
20	36	*	29	*
25	41	*	34,3	*

STANDARD MODELS				
DN	ØA	MALE	FEMALE	
06	1/4" BSP	102.11111AB	102.12111AB	350Bar
	1/4" NPTF	102.11111BB	102.12111BB	
	M14x1,5	102.11111NC	102.12111NC	
10	1/4" BSP	102.11112AB	102.12112AB	300Bar
	3/8" BSP	102.11112AC	102.12112AC	
	3/8" NPTF	102.11112BC	102.12112BC	
13	M16x1,5	102.11112ND	102.12112ND	300Bar
	3/8" BSP	102.11113AC	102.12113AC	
	1/2" BSP	102.11113AD	102.12113AD	
	1/2" NPTF	102.11113BD	102.12113BD	
	M18x1,5	102.11113NE	102.12113NE	
	M22x1,5	102.11113NG	102.12113NG	
20	3/4" -16ORB	102.11113GF	102.12113GF	230Bar
	7/8" -14ORB	102.11113GH	102.12113GH	
	3/4" BSP	102.11114AE	102.12114AE	
25	3/4" NPTF	102.11114BE	102.12114BE	230Bar
	M22x1,5	102.11114NG	102.12114NG	
	3/4" BSP	102.11115AE	102.12115AE	
25	1" BSP	102.11115AF	102.12115AF	230Bar
	1" NPTF	102.11115BF	102.12115BF	



FEMALE				
DN	CH1	L2	ØD	L
06	19	*	26	*
10	22	*	32	*
13	27	*	38	*
20	36	*	46	*
25	41	*	55	*



C.U.R.P. connection is available in DN13
Up to 300 Bar.