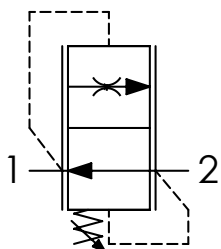


Codice ordinazione Ordering code	01	02	03	04
	VRD			



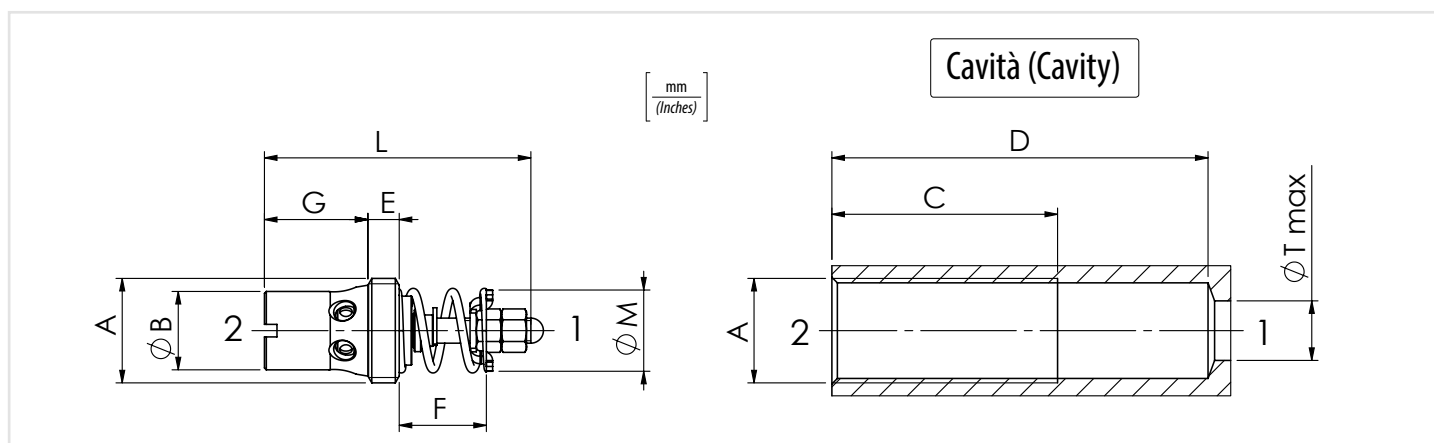
Schema idraulico - Hydraulic circuit



02	Dimensione (Size)	BSPP 1/4						140	
		BSPP 3/8						380	
		BSPP 1/2						120	
		BSPP 3/4						340	
03	Flusso controllato a 50 bar (Controlled flow at 50 bar)	A	B	C	D	E	F	VRD140	
		l/min-USgpm							
		2/3,2 (0.5/0.8)	2,9/5,8 (0.8/1.5)	4,5/7,6 (1.2/2.0)	5,5/10,5 (1.5/2.8)	8/13,5 (2.1/3.6)	12/21 (3.2/5.5)		
		4/7,5 (1.1/2.0)	7/9,7 (1.8/2.6)	7,8/14 (2.1/3.7)	13/18 (3.4/4.8)	18/26 (4.8/6.9)	25/37 (6.6/9.8)		VRD380
		14/21 (3.7/5.5)	21,5/30 (5.7/7.9)	29,5/39 (7.8/10.3)	40/49 (10.6/12.9)	52,5/66 (13.9/17.4)	-		VRD120
	38/51 (10.0/13.5)	44/64 (11.6/16.9)	64/90 (16.9/23.8)	70/110 (18.5/29.0)	105/150 (27.7/39.6)	-	VRD340		
04	Regolazione (Setting)	Esempio: regolazione 15 mm (Example: setting 15 mm) F 15						F _ _	
		Omesso se non richiesto (Omitted if not required)							

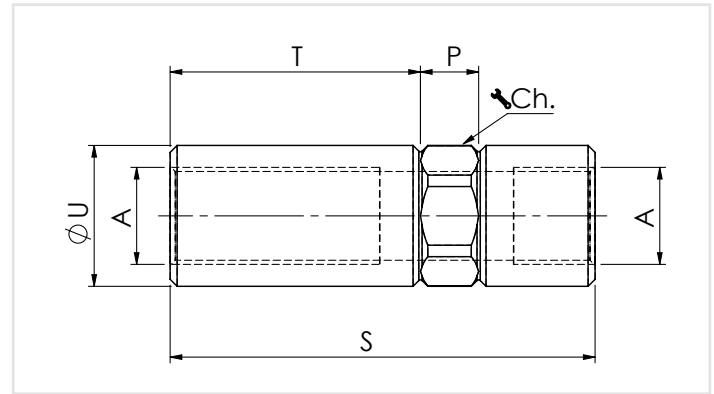
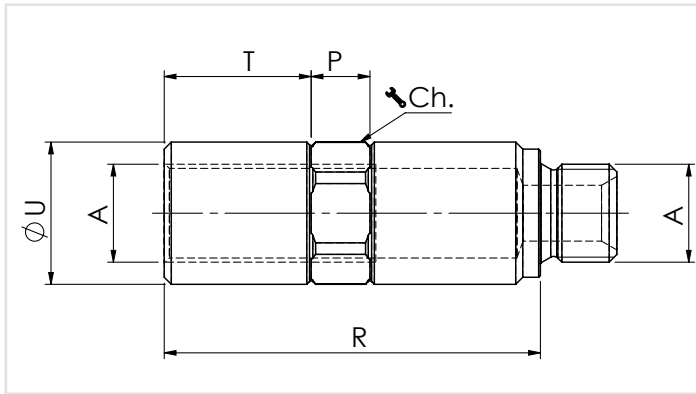
Dati tecnici - Technical data

Olio idraulico/Mineral oil	ISO 6743/4 (DIN 51524)	
Viscosità olio/Oil viscosity	15-250 mm ² /s (15 to 250 cSt)	
Classe di contaminazione max con filtro Max contamination index with filter	ISO 4406:1999 Classe 19/17/14	
Temperatura dell'olio/Oil temperature	-20°C +80°C	-4°F + 176°F
Temperatura ambiente/Ambient temperature	-20°C +50°C	-4°F + 122°F
È indispensabile l'utilizzo di un filtro per proteggere la valvola (filtrazione consigliata 15 µm) It is necessary a filter use to protect the valve (advised filtration 15 µm)		



Caratteristiche tecniche - Technical characteristics

Tipo Type	A	Portata max Max flow l/min-USgpm	Pressione max Max pressure bar/PSI	B	C	D	E	T	G	L	M	R	S	Peso approssimativo Approx weight kg/lb	Coppia di serraggio Tightening Torque Nm/lbt ft
VRD140	BSPP 1/4	20 (5.3)	300 (4350)	10 (0.39)	33 (1.30)	53 (2.09)	6 (0.24)	7 (0.28)	13,5 (0.53)	39 (1.54)	10 (0.39)	57 (2.24)	66 (2.60)	0,013 (0.029)	6 (4.5)
VRD380	BSPP 3/8	35 (9.2)		12,5 (0.49)	36 (1.42)	60 (2.63)	5 (0.20)	9,5 (0.37)	15,5 (0.61)	45 (1.77)	14 (0.55)	64 (2.52)	73 (2.87)	0,024 (0.053)	8 (6)
VRD120	BSPP 1/2	65 (17.2)		16 (0.63)	39 (1.54)	63 (2.48)	7 (0.28)	12 (0.47)	16 (0.63)	51 (2.01)	18 (0.71)	69 (2.72)	81 (3.19)	0,037 (0.082)	12 (9)
VRD340	BSPP 3/4	150 (39.6)		20 (0.79)	50 (1.97)	81 (3.19)	10 (0.39)	16 (0.63)	21 (0.83)	62 (2.44)	23 (0.91)	87 (3.43)	99 (3.90)	0,079 (0.18)	15 (11.25)



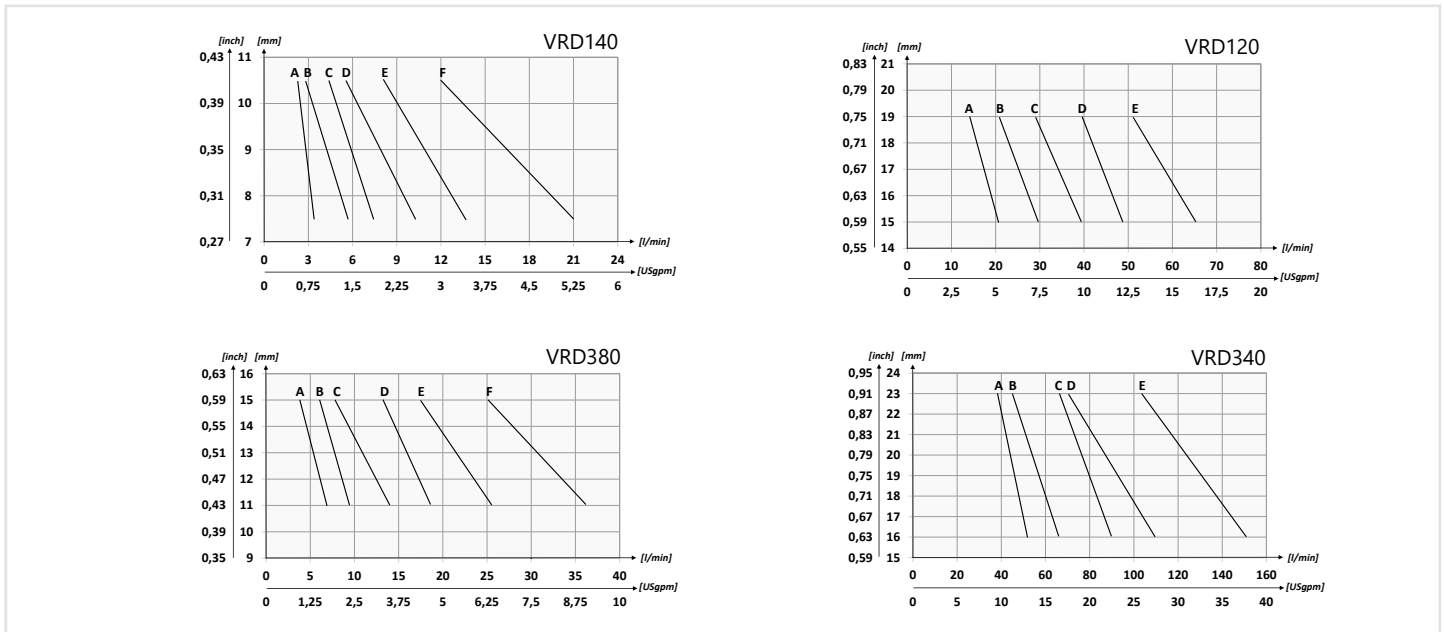
Colonneta - Housing M/F

Tipo Type	A	R	P	T	U	Ch.	Peso approssimativo (kg) Approx weight (lb)
61100057	BSPP 1/4	57 (2.24)	10 (0.39)	22 (0.87)	20.5 (0.81)	19	0.11 (0.16)
61100058	BSPP 3/8	64 (2.52)	10 (0.39)	25 (0.98)	24.5 (0.96)	22	0.14 (0.20)
61100059	BSPP 1/2	69 (2.71)	10 (0.39)	28 (1.10)	29.5 (1.16)	27	0.24 (0.30)
61100060	BSPP 3/4	87 (3.42)	12 (0.47)	36 (1.42)	35.5 (1.40)	32	0.34 (0.48)

Colonneta - Housing F/F

Tipo Type	A	S	P	T	U	Ch.	Peso approssimativo (kg) Approx weight (lb)
61100051	BSPP 1/4	66 (2.60)	10 (0.39)	38 (1.50)	20.5 (0.81)	19	0.11 (0.16)
61100052	BSPP 3/8	73 (2.87)	10 (0.39)	43 (1.69)	24.5 (0.96)	22	0.12 (0.20)
61100053	BSPP 1/2	81 (3.19)	10 (0.39)	50.5 (1.99)	29.5 (1.16)	27	0.20 (0.33)
61100054	BSPP 3/4	99 (3.90)	12 (0.47)	57 (2.24)	35.5 (1.40)	32	0.29 (0.50)

Regolazione - Setting



Performances

