



SERIE 172 LKA

HIGH PRESSURE
SAFETY SLEEVE



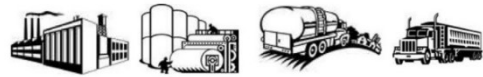
TECHNICAL FEATURES

Advantage:	Designed for high pressure applications; rescue equipment, elevators...	
Operating pressure:	Up to 700 Bar	Available Size: 1/4"
Materials:	Body:	Carbon Steel EN -10277-3
	O-ring:	NBR (90 Shores)
	Back-up-ring:	PTFE
	Springs:	EN 10270-1/SH
	Balls:	AISI 1010/1015
Available Threads:	ANSI B1.20.1 / ISO 8431-1*	
Closing System:	Poppet	
Connection / Disconnection :	Safety Sleeve	
Connection Under Pressure:	Not allowed	

Working Temperature (O-ring)

NBR	Viton	EPDM
+100°C	+200°C	+150°C
-30°C	-10°C	-40°C

Sectors: Industrial



Applications: Designed for Hydraulic Oil

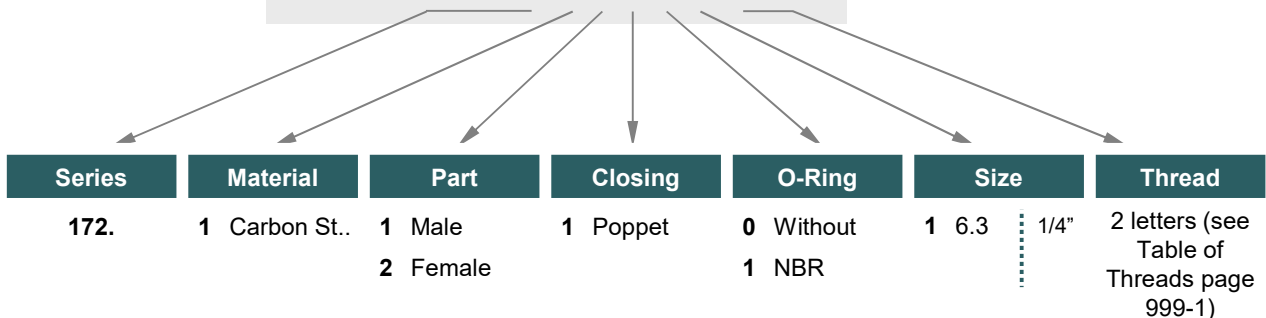
Interchange: LUKAS

*Other upon request

MODEL STRUCTURE

Example:

172.11141 BNT



172-1

INTEVA reserves the right to make modifications to its products without prior notice. Any external or internal alterations to our products will automatically void the warranty.



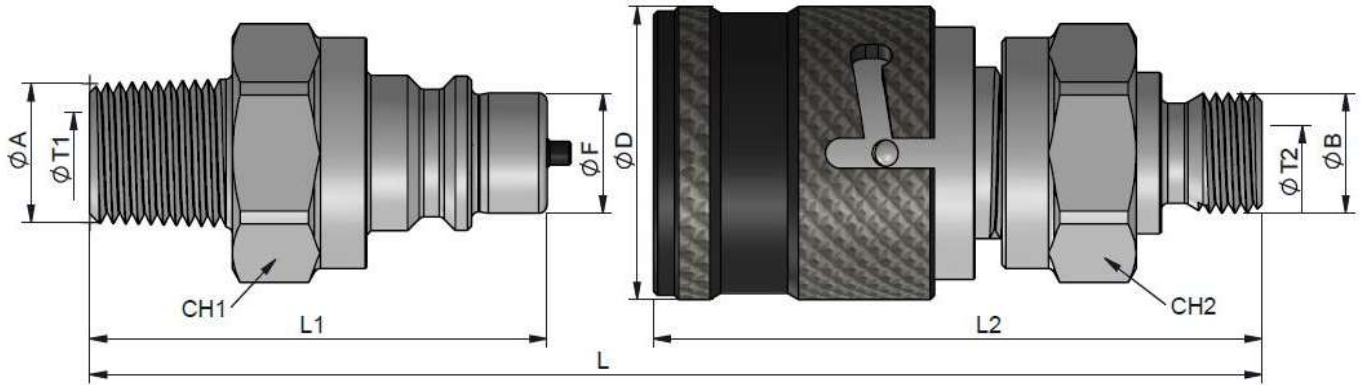


SERIE 172 LKA

HIGH PRESSURE
SAFETY SLEEVE



DN6.3



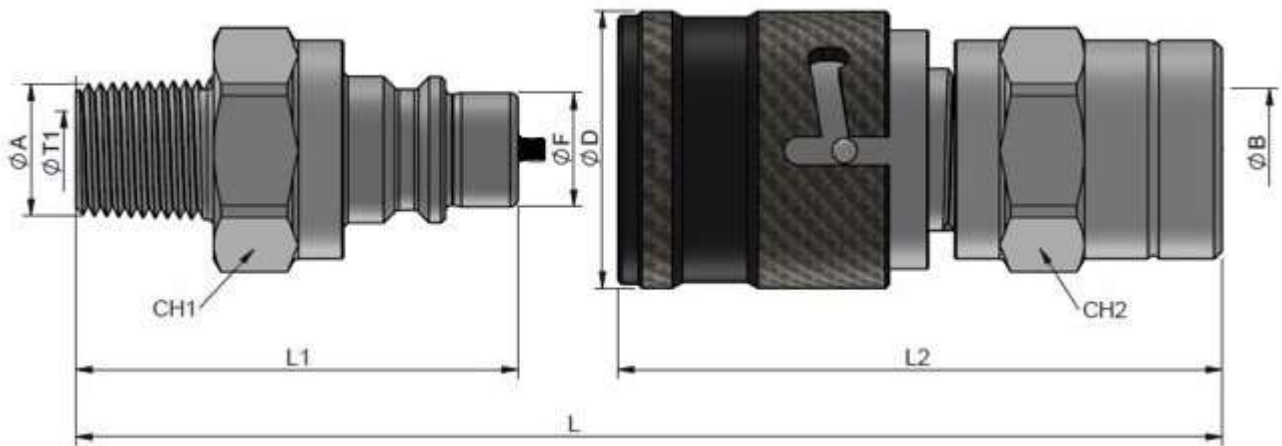
STANDARD MALE MODELS

DN	ϕA	$\phi T1$	REF.		CH1	L1	ϕF	L
6.3	3/8" NPT	9.5	172.11141BNT	700	27	54.5	13.95	107

STANDARD FEMALE MODELS

DN	ϕB	$\phi T2$	REF.		CH2	L2	ϕD	L
6.3	M14x1.5	6.4	172.12141KCB	700	27	71.5	34	107

DN6.3



DN	ϕA	$\phi T1$	REF.		CH1	L1	ϕF	L
6.3	3/8" NPT	9.5	172.11141BNT	700	27	54.5	13.95	109

DN	ϕB	REF.		CH2	L2	ϕD	L
6.3	3/8" NPT	172.12141BCT	700	27	74.5	34	109

172-2

INTEVA reserves the right to make modifications to its products without prior notice. Any external or internal alterations to our products will automatically void the warranty.





SERIE 172

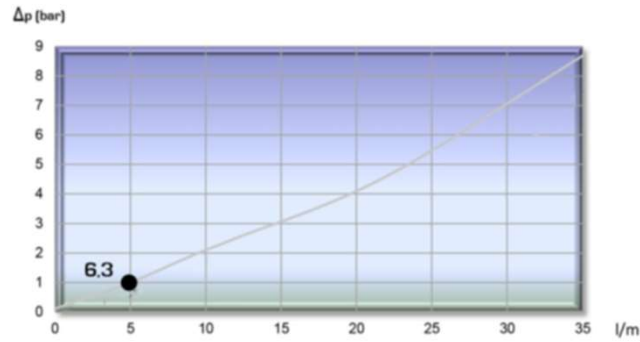
LKA

HIGH PRESSURE
SAFETY SLEEVE

TECHNICAL DATA

DN	Rated Flow l/m	Min Burst Pressure (bar)			Working Pressure Bar	Cycles
		Male	Female	Connected		
6.3	5 l/m	2600	2300	2600	700 Bar	100.000

Test performed according to ISO 18869



172-3

INTEVA reserves the right to make modifications to its products without prior notice. Any external or internal alterations to our products will automatically void the warranty.





SERIE 172

LKA TAPAS



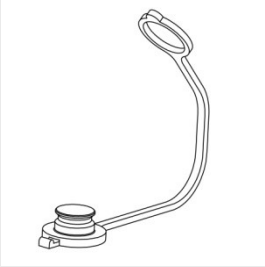
Designed to protect Female (coupler) and Male (nipple) parts while they are disconnected.

MODEL STRUCTURE & DIMENSIONS

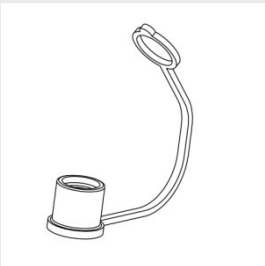
Example:

172.5351 AA

Series	Material	Part	Colour	Size	Type
172.	5 Plastic	3 Female Cap 4 Male Cap	1 Black	1 6.3 : 1/4"	AA



FEMALE CAP						
DN	RED	BLUE	YELLOW	GREEN	BLACK	WHITE
6.3	*	*	*	*	172.5351AA	*



MALE CAP						
DN	RED	BLUE	YELLOW	GREEN	BLACK	WHITE
6.3	*	*	*	*	172.5451AA	*

* Other colors available on request (Minimum 1000 units).